

## KADO

## Kado Lux Close Coupled Back to Wall Overheight Bottom Inlet Toilet Suite (4 Star)

### Set-Up

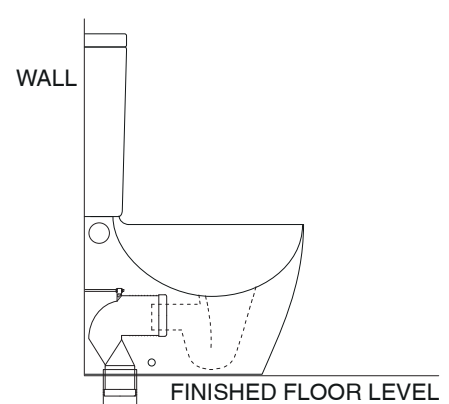
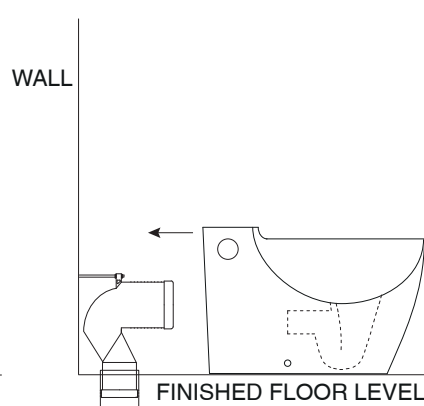
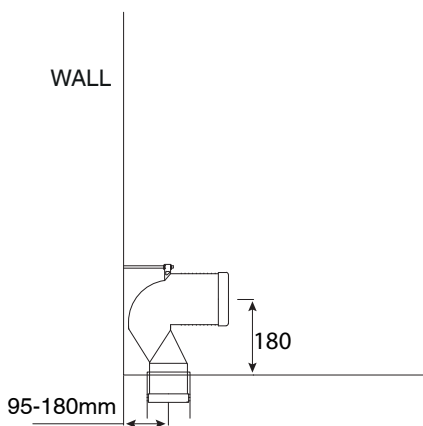
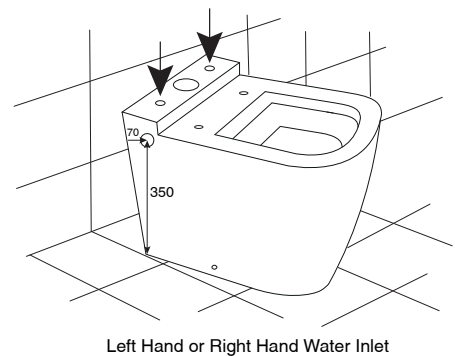
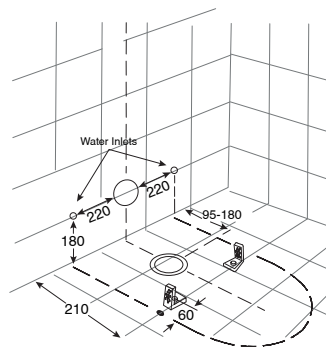
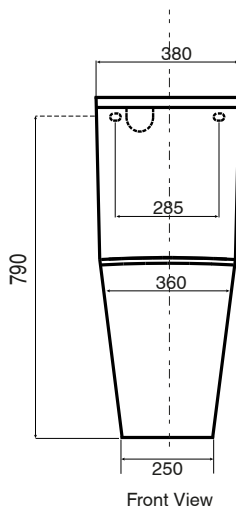
1. Rough in positions of water inlet, waste outlet and fixing bracket. Prepare waste outlet according to required setout (95mm min - 180mm max) and drill floor fixing brackets into position (60mm inside traced mark of pan rim).
2. Insert top-fix plastic fixing nut and bolt into pan (supplied).

### S-Trap Installation

1. Lubricate the rubber fins of the pan bend and position in the waste pipe at the required height. Fix the pan connector back to the wall using the rod and bracket.
2. Align and push pan back to wall, connect pan spigot into waste bend ensuring firm connection.
3. Fix cistern onto pan, bucket flush and check for leaks.

### Water Inlet & Levelling Pan

1. Connect water inlet valve using 15mm mini cistern stop and 15mm flexible connector (not supplied). Fill the cistern and ensure correct water level. For adjustment refer separate inlet valve instructions.
2. Ensure that pan is level and that cistern aligns with wall. Make minor adjustments if necessary.
3. Fix pan to floor using screws and caps provided.
4. Silicone pan to floor. Remove excess sealant.



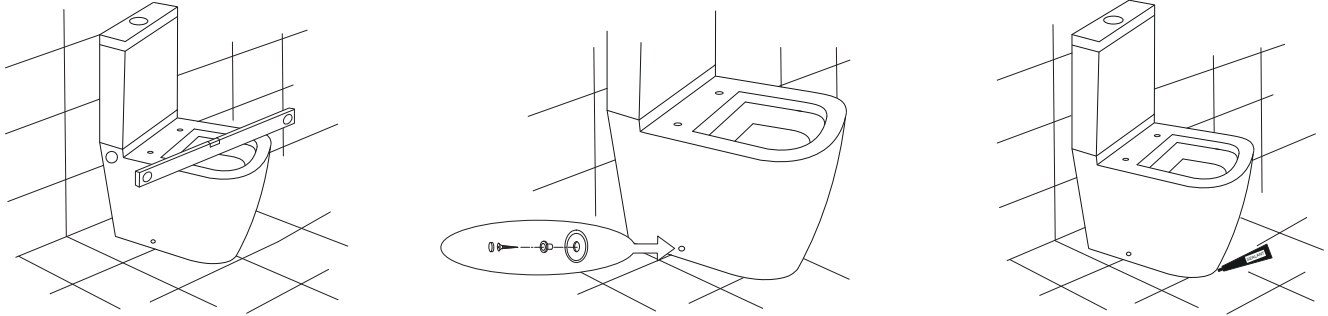
Dimensions are nominal measurements only.

**Plumbers, please ensure a copy of the installation instructions is left with the end user for future reference**

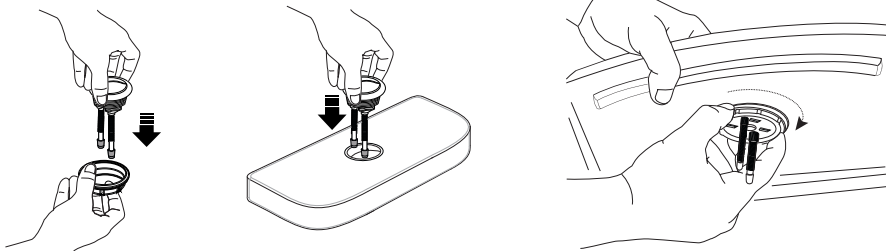
Published 10/08/2020

# KADO

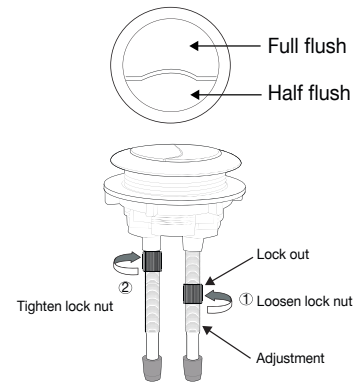
## **Kado Lux Close Coupled Back to Wall Overheight Bottom Inlet Toilet Suite (4 Star)**



### **PUSH BUTTON ASSEMBLY AND ADJUSTMENT**



Ensure button rods are aligned with full & 1/2 flush on outlet valve.



Dimensions are nominal measurements only.

**Plumbers, please ensure a copy of the installation instructions is left with the end user for future reference.**

Published 10/08/2020