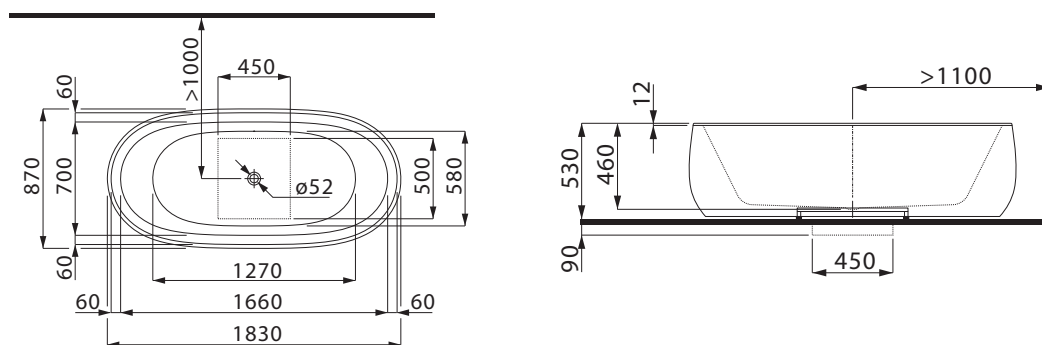


LAUFEN

Bathroom Culture since 1892  www.laufen.com

LAUFEN Alessi Freestanding Bath with Overflow 1830



Suggested Installation Instruction for baths with limited clearance between underside of bath and floor level.

Important:

- Please unwrap the bath and check it carefully to ensure it has not been damaged in handling or transport.
- Please check that all parts have been supplied.
- Assemble bath on a mat to protect against damage to bath surface.
- Please do not remove the old fixture before you unpack and inspect the new unit.
- Store the bath in a safe place until you begin installation to avoid damage.
- Any installation should be carried out by a qualified tradesman with knowledge of statutory plumbing requirements in your area.
- This installation guide does not include details of waste connection; final decision about installation of waste connection should be taken by a suitably qualified person.

Installation:

- Install waste pipe and trap - taking into consideration the waste position of the bath. Make sure that the surface where the bathtub will be placed is perfectly flat, clean, free of any excess humidity and offers adequate support.
- Measure the location of the bathtub in relation to the desired installation position. Mark on the floor the location of the Bath base and use a marking pencil to draw a bath outline on the floor around the bath base.
- Lift and tilt bath up on its side and fit the waste. Water test the bath to check that it is draining correctly without any leaks.
- Silicone seal the bath in position onto the floor and into 3mm gap between base of bath and floor to seal it. Allow seal to fully cure for 24 hours before use.
- A suggested bath component list for Slab floor or 2nd storey bath connection or Timber floor with **minimal** access underneath is listed below:

Plumbers, please ensure a copy of the installation instructions is left with the end user for future reference

LAUFEN

Bathroom Culture since 1892  www.laufen.com

LAUFEN Alessi Freestanding Bath with Overflow 1830

1. Slab floor or 2nd storey **with minimal clearance above floor** suggested bath connection component list:

- 1405525 DWV Adaptor PVC X FI 40mm
- 1400105 40mm DWV PVC pipe (installer to cut to length)

When bath clearance underneath to floor is less than 50mm, we suggest installing Smart Pan 100mm below floor level. This provides space for short piece of 40 DWV PVC pipe to be glued with solvent cement into DWV adaptor. Bath waste assembled with DWV Adaptor & 40 DWV can fit into Smart Seal on Smart Pan below floor level for waste connection.

- **Slab floor or 2nd storey bath connection**



Below floor smart trap



Below floor smart pan



Waste pipe into smart seal

2. **Timber floor with clear access underneath:**

Connection of bath waste to 40mm P-Trap in timber sub-floor is acceptable when clear access is available under the floor.

- 1409115 Dura Standard P Trap 40mm or 1409121 Dura Short P Trap 40mm
- 1400105 40mm DWV PVC pipe (installer to cut to length)

- **Timber floor with clear access underneath**



P-Trap

CLEANING RECOMMENDATIONS:

We recommend the use of soapy water or approved cleaners. This product should not be cleaned with abrasive materials. Damage caused by any improper treatment is not covered by the product warranty. Refer to Warranty Conditions.

Plumbers, please ensure a copy of the installation instructions is left with the end user for future reference