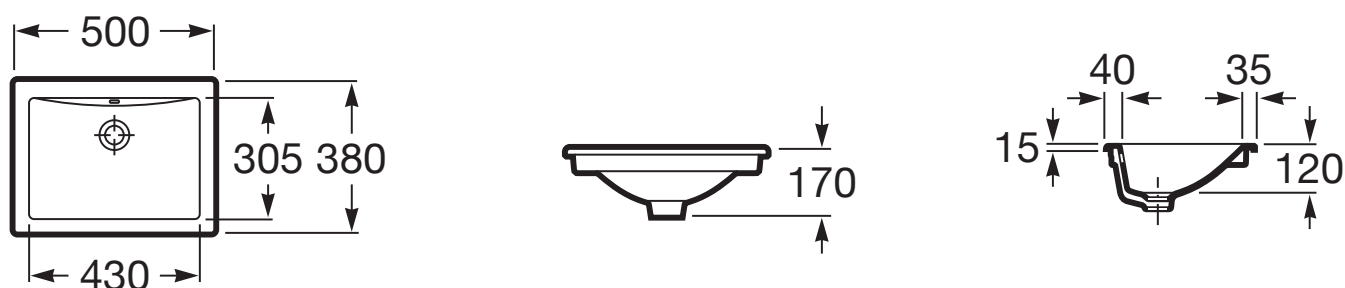




DIVERTA UNDERCOUNTER BASIN 500



Dimensions are nominal only

SPECIFICATIONS

Recommended use	Domestic, hotel and commercial
Material	Vitreous china
Colour	White
Taphole availability	No taphole
Capacity	4 Litres
Weight	9.8kg
Plug and waste	32x40 Waste Overflow Waste (Not supplied)
Mounting	Fixing clips supplied
Template	Supplied



To see the complete Roca range go to www.reece.com.au/bathrooms

CLEANING RECOMMENDATIONS

We recommend the use of soapy water or approved cleaners.

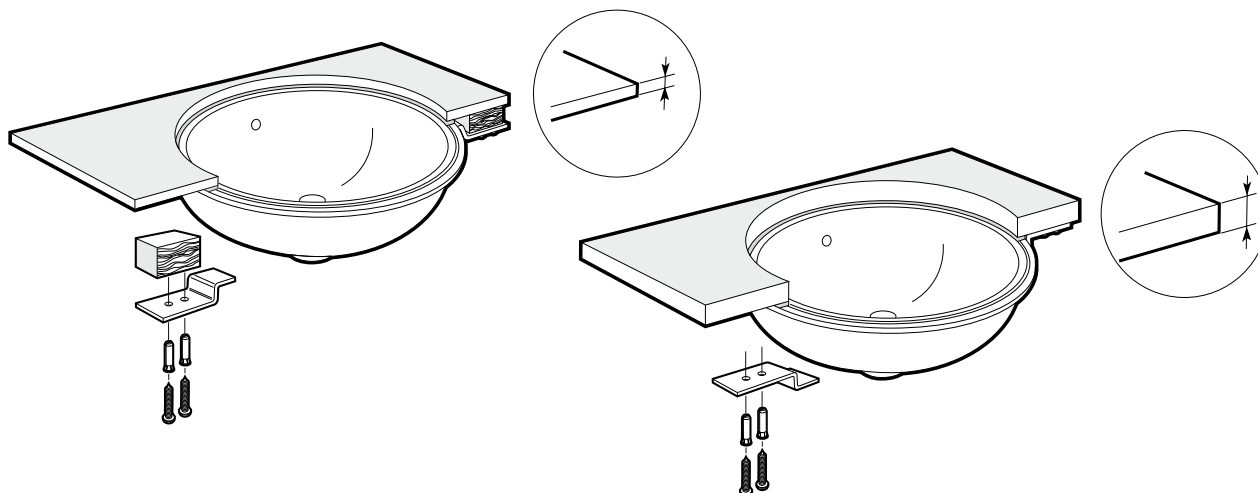
This product should not be cleaned with abrasive materials.

Damage caused by any improper treatment is not covered by the product warranty - refer to Warranty Conditions on the last page.

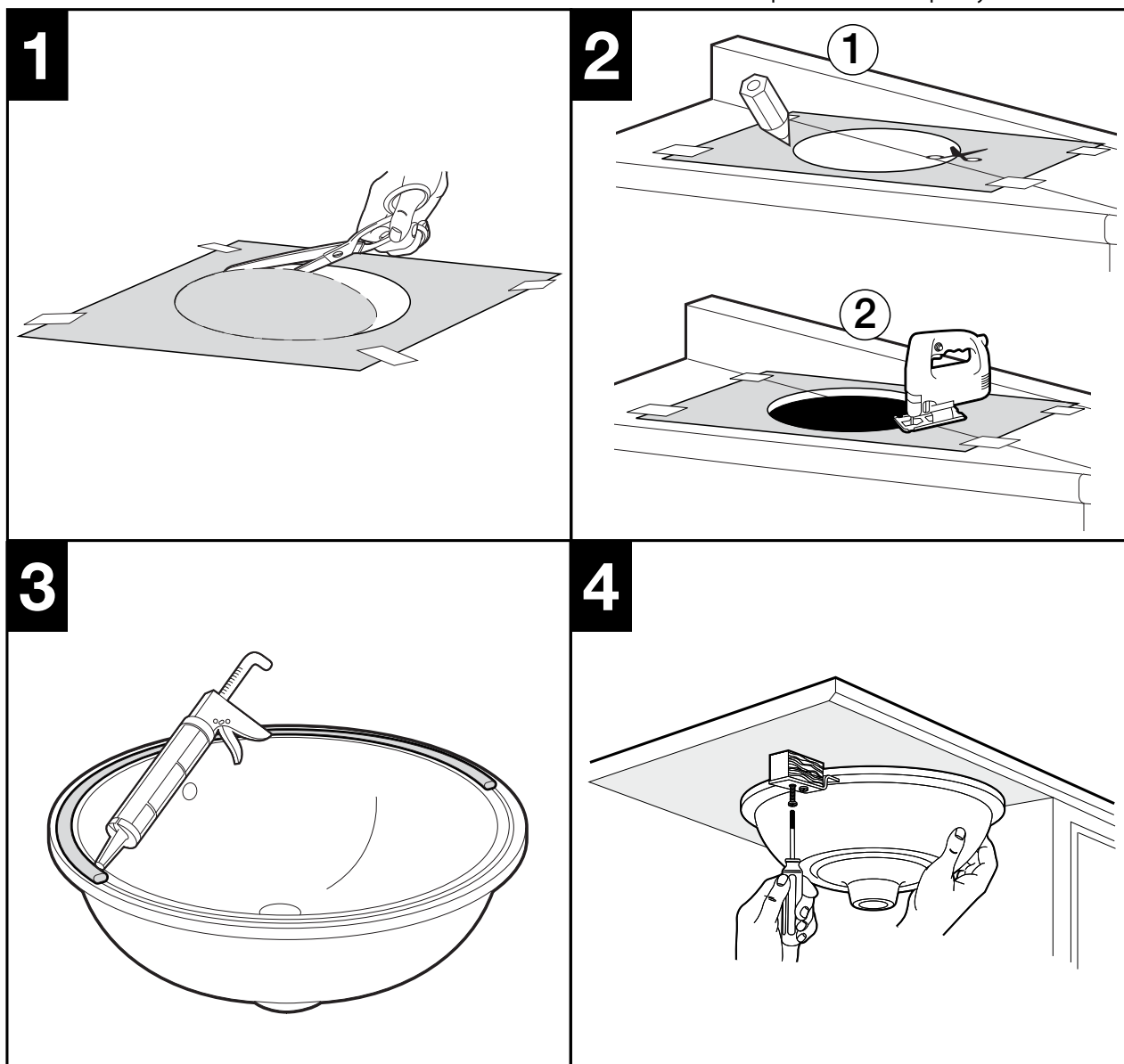
Roca

DIVERTA UNDERCOUNTER BASIN 500

INSTALLATION INSTRUCTIONS FOR UNDERCOUNTER BASIN



NOTE: The shape of the basin is purely indicative.



Don't risk it, use a licensed plumber.™

reece