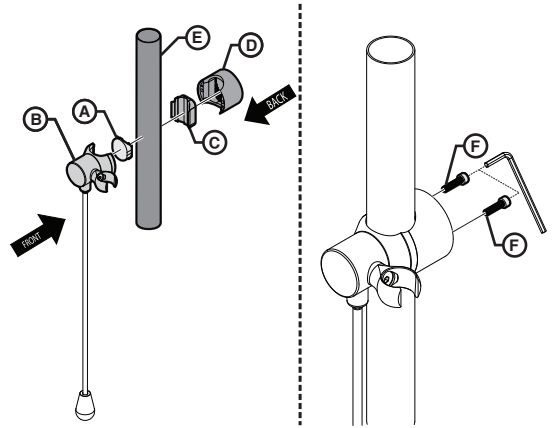


# mizu

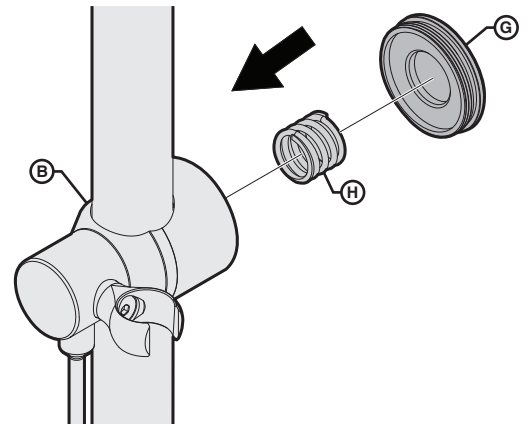
## Push Pull Shower Positioning Cradle

### Installation

1. Ensure Front Slider insert **(A)** is fitted to Front Slider Body **(B)**.
2. Fit Back Slider Insert **(C)** to Back Slider Body **(D)**.
3. Place front and back of Slider around Slide Rail **(E)**.
4. Fasten bodies together using Screws **(F)** hex key provided.



5. Fasten End Cap **(G)** to Back Body **(B)** with Spring **(H)** inside to apply back pressure. (Compress spring and turn end cap clockwise).



6. Screw End Cap **(G)** until it hits stop.

**Important**  
 Clean with mild detergent or clear liquid cleansers. Wipe dry with a clean soft cloth.

**Important**  
 Do not use steel wool or any abrasive cleansers.

**Important**  
 Avoid prolonged exposure to any chemical solution containing chlorides or acids. Surface damage caused by acids will void warranty.

