

FRANKE

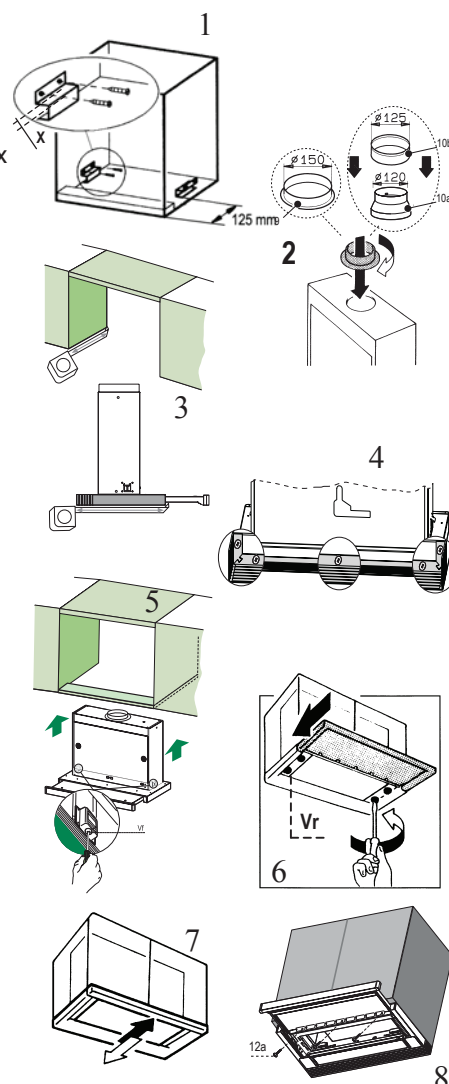
DESIGNER SLIDE-OUT RANGEHOOD 60CM

INSTALLATION INSTRUCTIONS

Drilling the Support surface and Fitting the Hood

- The Hood can be installed directly on the underside of wall-mounted units (650 mm min. from the Cooker Top) using the snap-on side supports.
- According to requirements, fit two of the support brackets for the hood (see table fig. 1) at a distance of 125 mm from the front of the wall-mounted unit.
- According to the chosen air outlet diameter, insert the appropriate flange into the upper exhaust outlet. (fig.2)
- Measure the depth of the wall-mounted unit. (fig.3)
- Measure the depth of the hood plus the fastening profile depth 20. (fig. 3)
- Adjust the depth of profile 20 accordingly, cutting it to size.
- Screw the fastening profile 20 to the rear part of the hood using screws 12f (2.9 x 9.5) provided. (fig.4)
- Open the ducting carriage.
- Remove the metal grease filters one at a time, releasing the fasteners provided.
- Close the ducting carriage.
- Insert the Hood until it connects with the snap-on side Supports. (fig.5)
- Open the ducting carriage.
- Lock it in position by tightening screws Vf from underneath the Hood. (fig.5)
- Should it be necessary to make adjustments to the inside of the filter holder element, proceed as follows:
 - Loosen the four adjustment screws Vr and close the carriage again. (fig.6)
 - Move the whole filter holder element until it is properly aligned with the wallmounted unit. (fig.7)
 - Holding the hood canopy still, extract the carriage and tighten the adjustment screws Vr. (fig.6)
- It is now possible to fasten the hood to the wall-mounted unit using the screws 12a (3.5 x 16) provided. (fig.8)
- Replace the metal grease filters.
- Close the ducting carriage.

	Nische / Niche / Nicchia / Niche	Haltewinkel / Cornieres / Staffe / Brackets X
SMS	500 mm	25 mm
	518-512 mm	9 mm

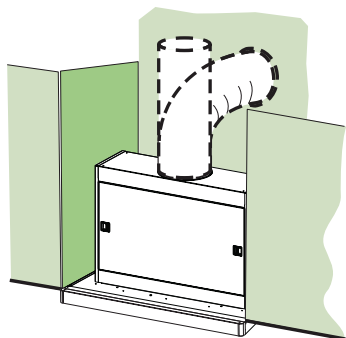


FRANKE

DESIGNER SLIDE-OUT RANGEHOOD 60CM

INSTALLATION INSTRUCTIONS

DUCTING VERSION AIR EXHAUST SYSTEM

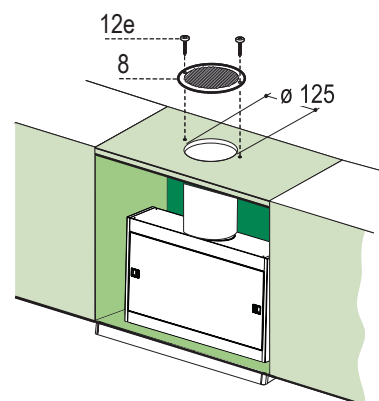


When installing the hood in ducting version, a rigid or a flexible pipe with the diameter corresponding to the flange diameter is used in order to connect the hood to the air outlet piping.

- Fix the pipe with an adequate quantity of pipe clamps (not supplied).
- Remove possible charcoal filters.

RECIRCULATION VERSION AIR OUTLET

- Cut a hole \varnothing 125 mm in any shelf that may be positioned over the hood.
- Insert the flange 10a on the hood body outlet.
- Connect the flange to the outlet on the shelf over the hood using a flexible or rigid pipe \varnothing 120 mm.
- Fix the pipe in position using sufficient pipe clamps (not supplied).
- Fix the directional grille 8 on the recirculation air outlet using the 2 screws 12e (2,9 x 12,7) provided.
- Ensure that the activated charcoal filters have been inserted.



ELECTRICAL CONNECTION

- Connect the hood to the mains through a two-pole switch having a contact gap of at least 3 mm..