

# BIS Strut Rubber Strip

(H 39 20)

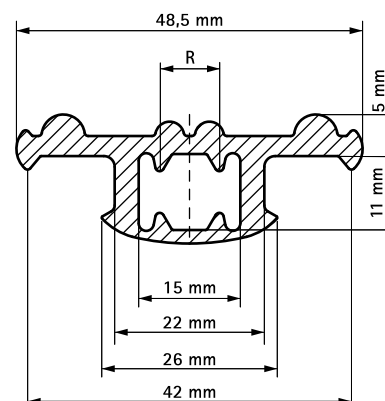
noise insulation lining for Strut rail



## Features and Benefits

- push in strip
  - noise insulating lining for rail
  - also usable for threaded rod M6, M8 or M10
  - building material class B2 according to DIN 4102-1 and class E according to EN 13501-1
  - sound insulating lining according DIN 4109
- material: EPDM rubber, black

Part No.	R	L	For Rail	Pack 1
6568041	1/4 - 1/2"	30 m	Strut	30
6568042	1/4 - 1/2"	50 mm	Strut	50



## Complementary

- BIS RapidStrut® Cantilever Arm (BUP1000)
- BIS RapidStrut® Fixing Rail (pg)
- BIS RapidStrut® Fixing Rail DS 5 (BUP1000)