



Backflow Prevention

350 Series DCV 65-250mm



LEAD FREE

Application

Designed for installation on potable water lines to protect against both backsiphonage and backpressure of polluted water into the potable water supply. The Model 350 shall provide protection where a potential health hazard exists (Medium Hazard).

Standards Compliance

Australian Watermark and Standards Mark
UL Classified
FM Approved

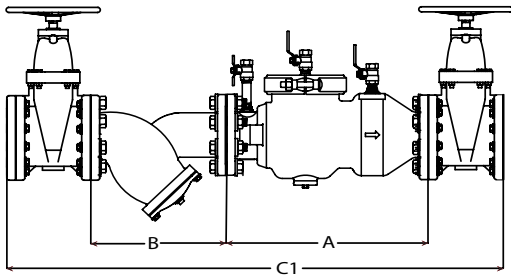


Materials

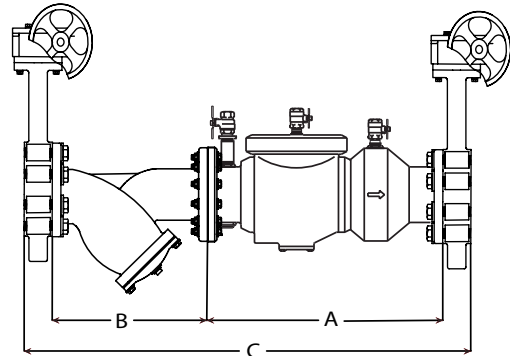
Main Valve Body	Ductile Iron ASTM A536 Grade 4
Access Covers	Ductile Iron ASTM A536 Grade 4
Coatings	Fusion Epoxy
Fasteners	Stainless Steel 304
Internals	Stainless Steel 304
Seal Ring	EPDM
O-ring	Buna Nitrile
Springs	Stainless Steel 17-7

Operating Parameters

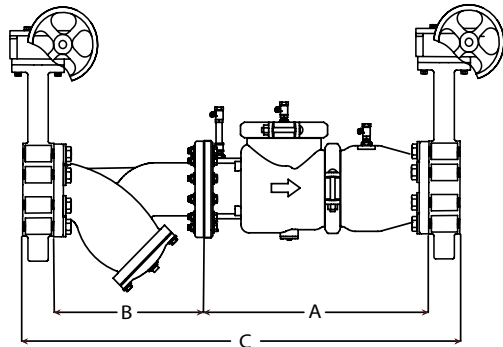
Max. Working Water Pressure	1200kPa
Max. Working Temperature	60°C
Hydrostatic Test Pressure	2400kPa
End Connections	Flanges to AS2129



GATE VALVE - 65, 80, 100 & 150mm



BUTTERFLY VALVE - 65, 80, 100 & 150mm



BUTTERFLY VALVE - 200 & 250mm

Dimensions & Weights (do not include pkg.)

VALVE SIZE mm	DIMENSIONS (approximate)				FLANGE TYPE	# OF BOLT HOLES	WEIGHT kg	BOLTS		WASHERS		NUTS	
	A mm	B mm	C mm	C1 mm				QTY	SIZE mm	QTY	SIZE mm	QTY	SIZE mm
65	403	273	768	1056	TABLE E	4	24	4	M16x65	24	M16	4	M16
								16	M16x35				
80	403	295	790	1104	TABLE E	4	24	4	M16x65	24	M16	4	M16
								16	M16x35				
100	535	380	1019	1373	TABLE D	4	41	4	M16x70	24	M16	4	M16
								16	M16x40				
100	535	352	991	1345	TABLE E	8	41	8	M16x70	48	M16	8	M16
								32	M16x40				
150	675	470	1257	1679	TABLE E	8	75	8	M20x70	48	M20	8	M20
								32	M20x40				
200	959	543	1622		TABLE E	8	162	8	M20x80	48	M20	8	M20
								32	M20x55				
250	959	660	1755		TABLE E	12	176	12	M20x90	72	M20	12	M20
								48	M20x60				

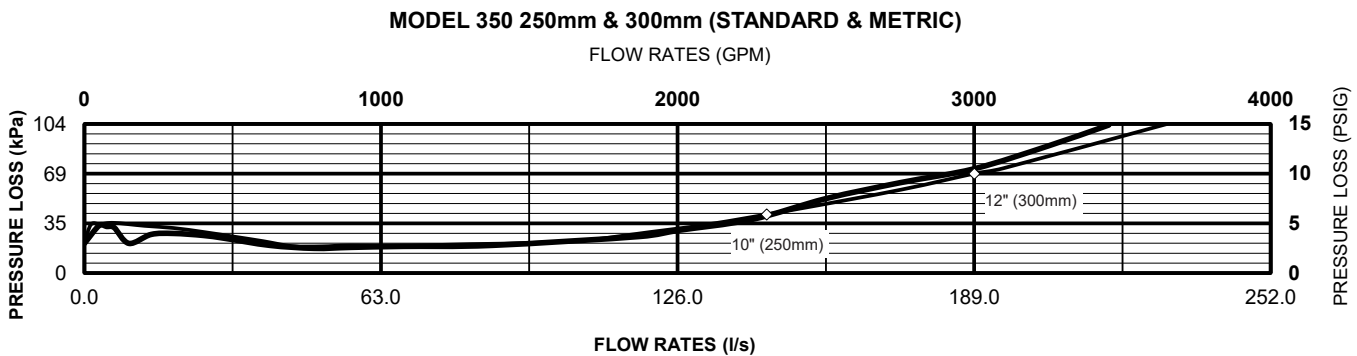
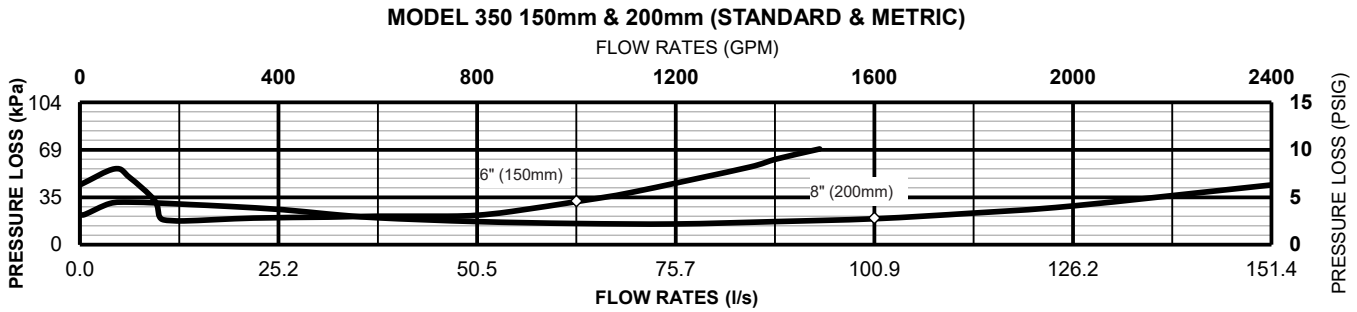
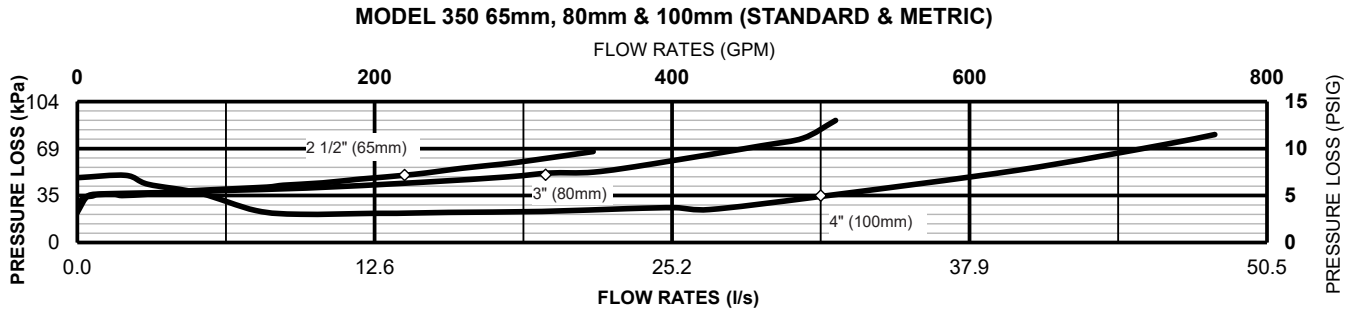
Note: bolt, washer and nut quantities and sizes are for lugged butterfly valves only.

Product Codes

ZURN CODE	REECE CODE	DESCRIPTION
212-350LBSE	1023607	65mm DCV (TBL. E)
3-350LBSE	1023608	80mm DCV (TBL. E)
4-350LBSD	1023614	100mm DCV (TBL. D)
4-350LBSE	1023609	100mm DCV (TBL. E)
6-350LBSE	1023610	150mm DCV (TBL. E)
8-350LBSE	1023611	200mm DCV (TBL. E)
10-350LBSE	1023612	250mm DCV (TBL. E)

DCV Assemblies (65-250mm) - Reece Codes

	65mm	80mm	100mm	150mm	200mm	250mm
Wafer Gear Operated Butterfly Valve & Strainer	4001511	4001521	4001483	4001493	4001501	4001505
Lugged Gear Operated Butterfly Valve & Strainer	4001509	4001519	4001481	4001491	4001500	4001504
Wafer Butterfly Valve & Line Strainer	4001510	4001520	4001482	4001492		
Lugged Butterfly Valve & Strainer	4001508	4001518	4001480	4001490		
Gate Valve & Line Strainer	4001512	4001522	4001484	4001494		



Note: the pressure losses depicted in the tables are for the device only and not the complete assembly.

Typical Installation

Local codes shall govern installation requirements. Unless otherwise specified, the assembly shall be mounted at a minimum of 12" (305mm) and a maximum of 30" (762mm) above adequate drains with sufficient side clearance for testing and maintenance. The installation shall be made so that no part of the unit can be submerged.

