

ISSY

ISSY GLIDE TWIN VANITY UNIT

FEATURES

Basin Type	One Piece Intergrated Top and Basin
Basin Configuration	Left Hand Basin or Right Hand Basin
Door/Drawer Design	Touch to Open Soft Close
Number of Drawers	750 2 Drawer 1200 4 Drawer 1500 4 Drawer 1750 6 Drawer
Taphole Configuration	0 or 1 Taphole
Mounting	Wall Hung
Vanity Top	White Only Solid Surface Moulded Top And Basin
Features	Movable Solid Surface Drawer Divider Removable and Washable Non Slip Drawer Mat Choice of Metallic Colours Solid Surface Moulded Waste Cut Out in Basin Drawer
Custom Sizes	A Range of Customised Sizes Available

SPECIFICATIONS

Height	450mm
Width	500mm
Length	750mm, 1200mm, 1500mm (single basin) or 1750mm (double basin)
Other Size Options	750 Can Be Customised 751 - 850mm 1200 Can Be Customised 1000 - 1300mm 1500 Can Be Customised 1400 - 1499mm 1750 Double Basin Can Be Customised 1751 - 2000mm
Colour Variations	Satin or Gloss (White) Metallic Silver Gloss or Metallic Charcoal Gloss Oak and Black Oak drawer fronts with matte clear finish, satin white base and end panels
Fixing	Bolted / Screwed to Wall by a Licensed Trades Person
Vanity Unit Material	2 Pack Polyurethane on High Moisture Resistant MDF



To see the complete ISSY range go to
www.reece.com.au/bathrooms

CLEANING RECOMMENDATIONS

Open Sky Design vanity tops are a high grade acrylic Solid Surface with a semi gloss finish. It is recommended that this Solid Surface top is protected during installation.

Your vanity should be cleaned with a mild, non acidic, non abrasive detergent and soft cloth. Finish by cleaning off detergents with a soft damp cloth and towel dry. Always clean spills and water as they occur.

The Solid Surface top should be cleaned using a soft damp cloth with warm water OR a non abrasive ammonia based household cleaner OR a dedicated counter top cleaner. The possibility of concentrated acidic ingredients present in some beauty and cleaning products may damage the surface if left for a long duration. Citrus or silicone based sprays or polishes should not be used. It is recommended that all spills are cleaned up as they occur.

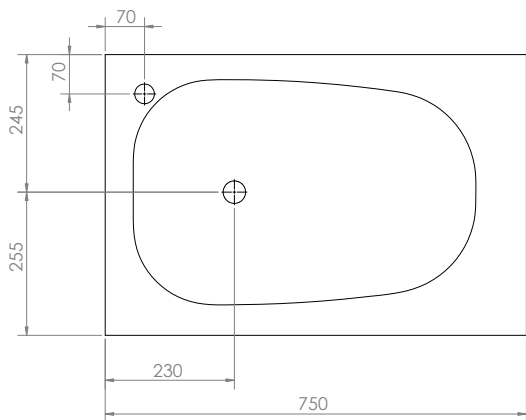
Abrasive cleaners should NOT be used on this semi gloss surface. Damage caused by any improper treatment is not covered by the product warranty.

Disclaimer: Products in this specification manual must by regulation be installed by licensed and registered trade people. The manufacturer/distributor reserves the right to vary specifications or delete models from their range without prior notification. Dimensions are nominal measurements only. Dimensions and set-outs listed are correct at time of publication however the manufacturer/distributor takes no responsibility for printing errors.

ISSY

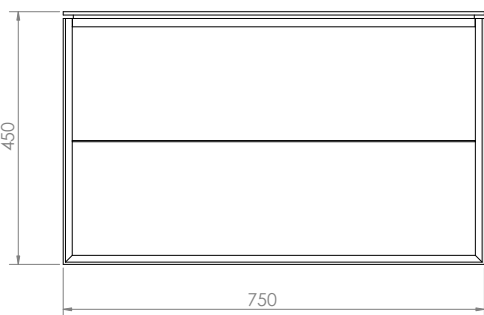
ISSY GLIDE TWIN VANITY UNIT

GLIDE TWIN 750

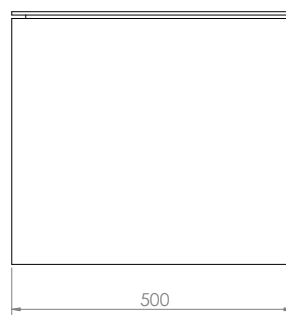


TOP VIEW

2352421 - ISSY GLIDE TWIN VU 750 SB WH
 2352422 - ISSY GLIDE TWIN VU 750 SB OAK
 2352423 - ISSY GLIDE TWIN VU CUST 751-850 SB WH
 2352424 - ISSY GLIDE TWIN VU CUST 751-850 SB OAK
 SCALE 1:5

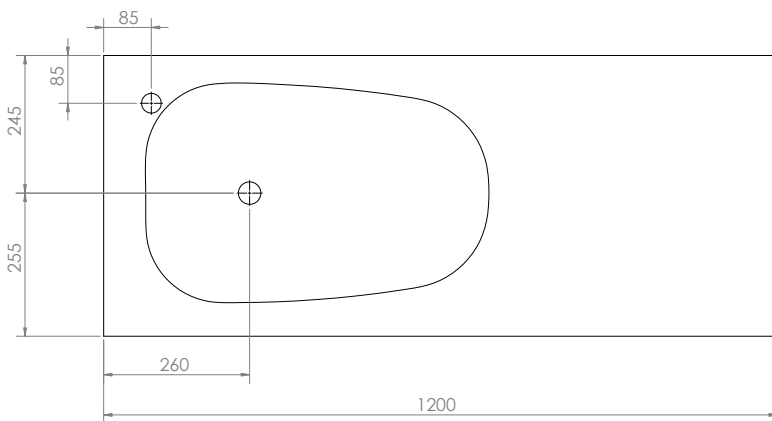


FRONT VIEW



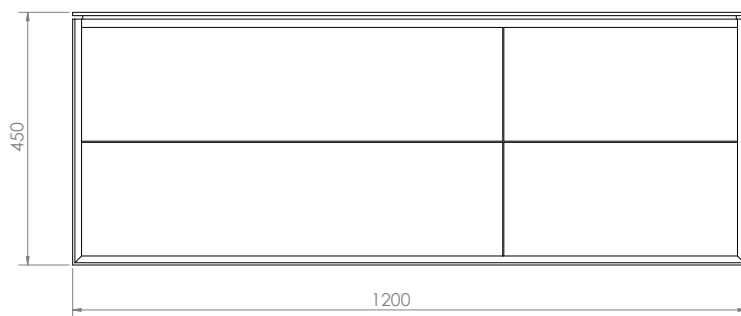
SIDE VIEW

GLIDE TWIN 1200

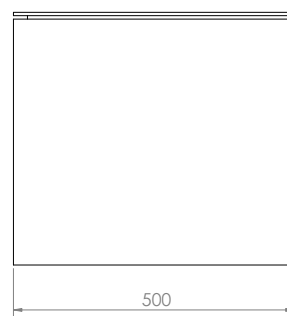


TOP VIEW

2352425 - ISSY GLIDE TWIN VU 1200 SB WH
 2352426 - ISSY GLIDE TWIN VU 1200 SB OAK
 2352427 - ISSY GLIDE TWIN VU CUST 1000-1300 SB WH
 2352428 - ISSY GLIDE TWIN VU CUST 1000-1300 SB OAK
 SCALE 1:5



FRONT VIEW

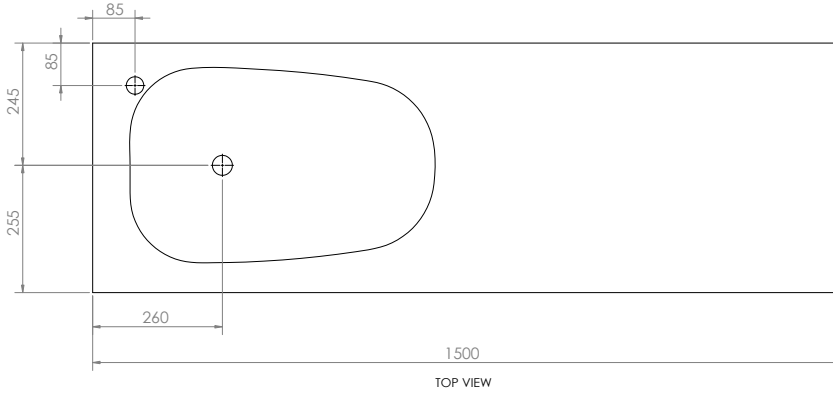


SIDE VIEW

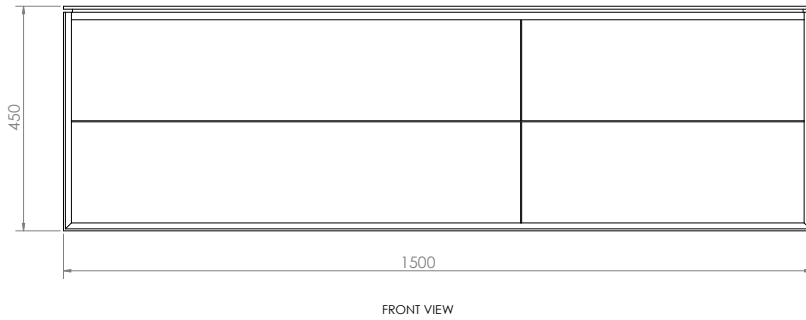
ISSY

ISSY GLIDE TWIN VANITY UNIT

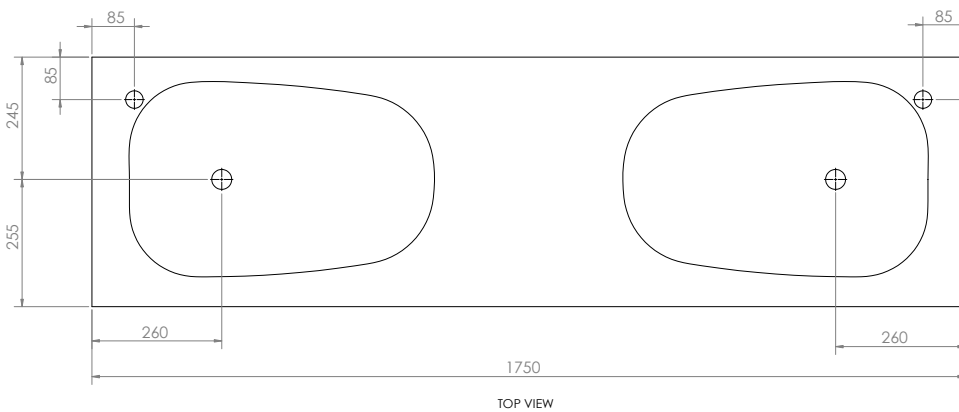
GLIDE TWIN 1500



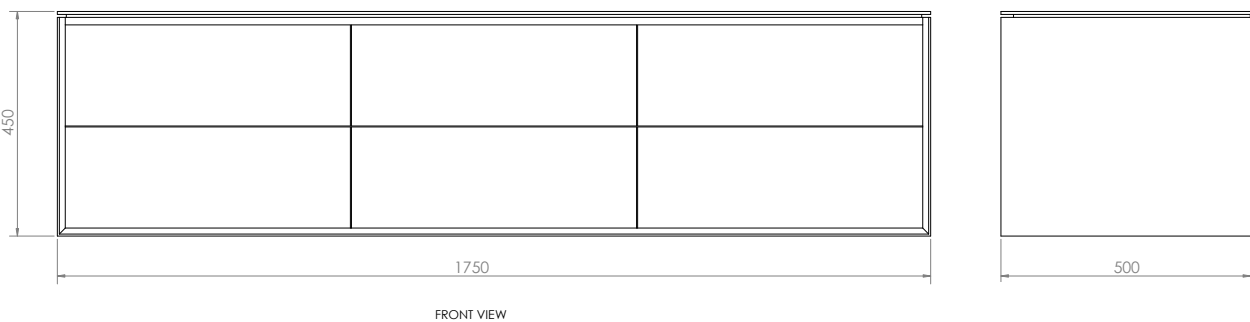
2352429 - ISSY GLIDE TWIN VU 1500 SB WH
 2352430 - ISSY GLIDE TWIN VU 1500 SB OAK
 2352431 - ISSY GLIDE TWIN VU CUST 1400-1499 SB WH
 2352432 - ISSY GLIDE TWIN VU CUST 1400-1499 SB OAK
 SCALE 1:5



GLIDE TWIN 1750



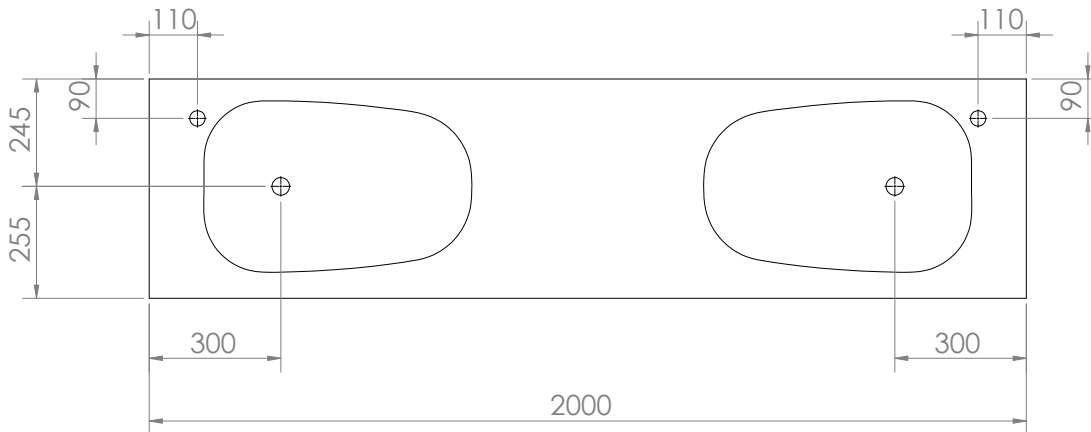
2352433 - ISSY GLIDE TWIN VU 1750 DB WH
 2352434 - ISSY GLIDE TWIN VU 1750 DB OAK
 2352435 - ISSY GLIDE TWIN VU CUST 1751-2000 DB WH
 2352436 - ISSY GLIDE TWIN VU CUST 1751-2000 DB OAK
 SCALE 1:5



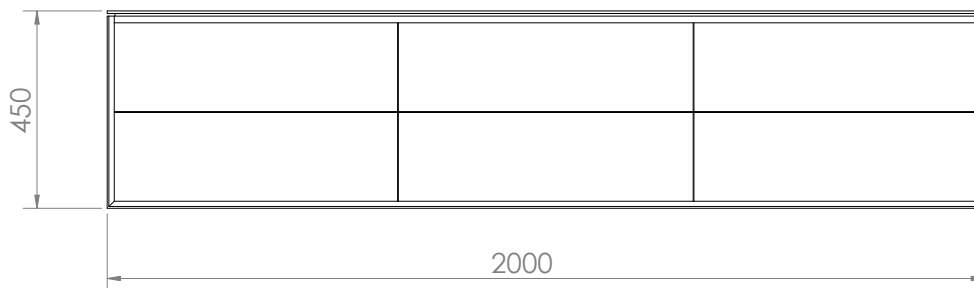
ISSY

ISSY GLIDE TWIN VANITY UNIT

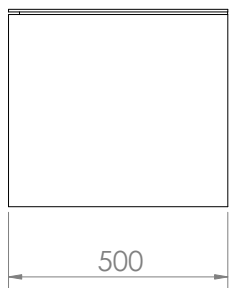
GLIDE TWIN 2000



TOP VIEW



FRONT VIEW

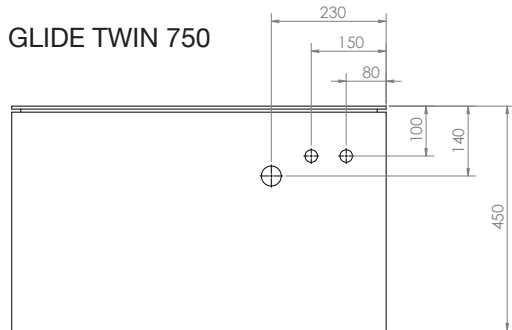


SIDE VIEW

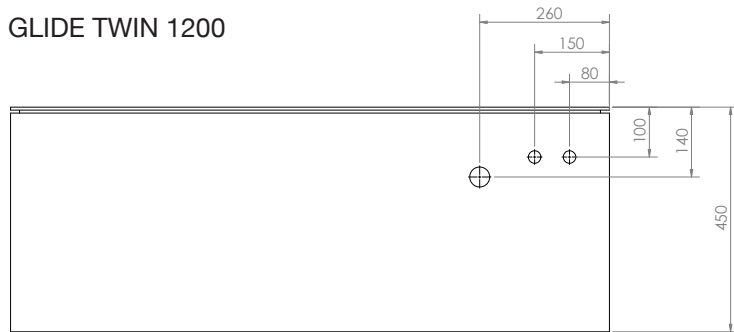
ISSY

ISSY GLIDE TWIN VANITY UNIT

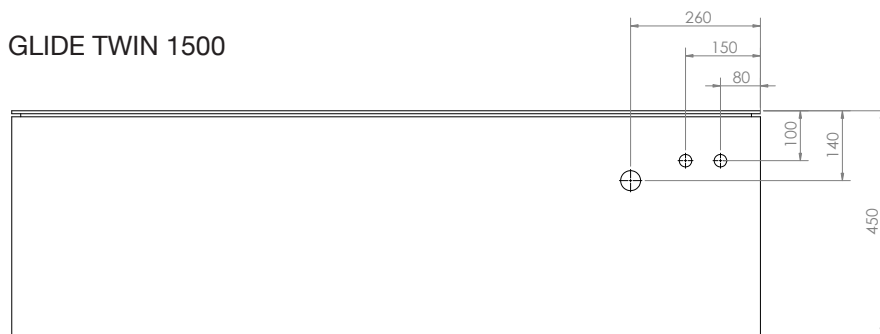
Plumbing Setout



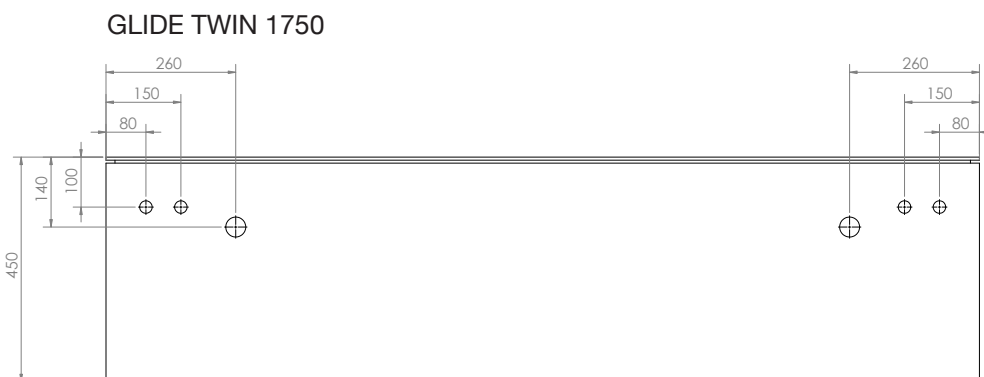
REAR VIEW
SCALE 1:5



REAR VIEW
SCALE 1:5



REAR VIEW
SCALE 1:5



REAR VIEW
SCALE 1:5

ISSY//

ISSY GLIDE TWIN VANITY UNIT

GLIDE TWIN 2000

Plumbing Setout



REAR VIEW

ISSY

ISSY GLIDE TWIN VANITY UNIT

INSTALLATION INSTRUCTIONS

Vanity should be installed by a qualified, licensed trades person.

Vanity Fitting Instructions

- Prior to installation it is important to inspect the vanity to ensure no damage has occurred in transit. If damage has occurred, or a visible defect exists, do not proceed with installation and advise supplier immediately. No warranty claim for damage will be accepted if the vanity is installed.
- It is recommended that the Solid Surface Top is protected during installation.

Please Note: Manufacturer will not be liable for the cost of installation or removal of the vanity and the warranty will be voided if damage occurred during or after installation.

- Remove drawers (refer to Drawer Installation and Adjustment Instructions)
- Mark base and back of the vanity for drilling to allow for plumbing pipes.
- Drill holes for pipes with appropriate size hole saws.
- Position vanity over pipes in correct position.
- It is recommended that the vanity sit on a length of aluminium angle securely fastened to the wall
- Check with spirit level that the vanity is completely level.
- Screw vanity to the wall through back of the vanity, ENSURING SCREWS ARE FIXED TO STUDS. Allow enough fixing points at the top and bottom of the back panel to sufficiently secure the unit to the wall.
- All edges where vanity top and cabinet meet wall and floor are to be properly sealed with bathroom grade silicone to prevent water penetration. Materials used in construction are water-resistant not waterproof. Care must be taken to dry any spillage or leakage of water which may gain access to the cabinet when fitting.
- Replace drawers (refer to Drawer Installation and Adjustment Instructions).

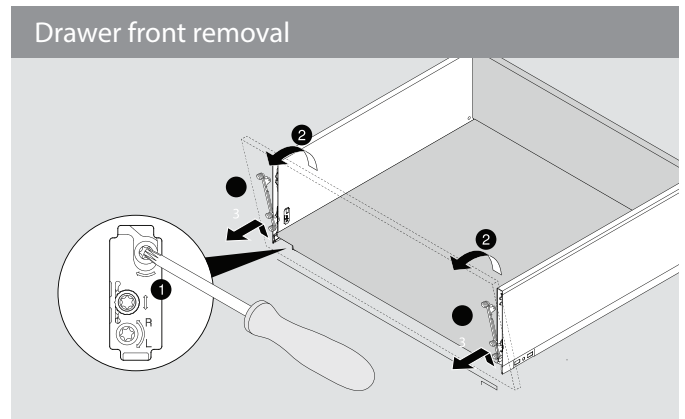
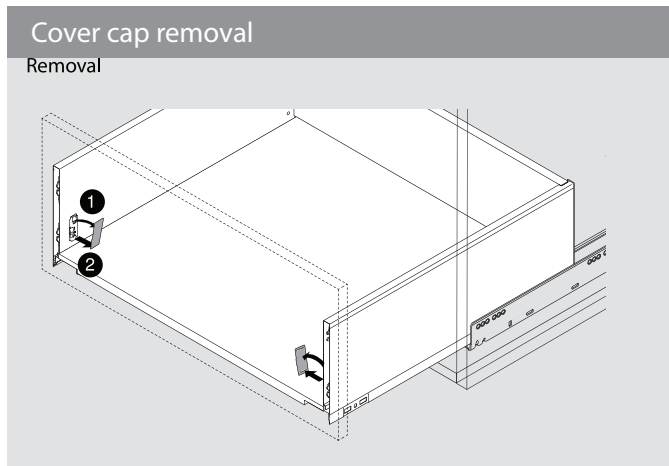
Recommendation for Plumbing

Waste should not be over tightened to avoid stress on basin and top.

PLUMBING SETOUT INSTRUCTIONS

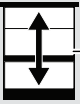
1. Diagrams below show wall positions of 40mm waste pipe, hot and cold outlets (if required). Note diagrams show set outs for 750, 1200 and 1500 left hand basin. For right hand basin use mirror opposite.
2. Use 40mm plug and waste, non overflow with 40mm Short Inlet P Trap (both not supplied)
3. Plumbing set outs for customised sizes:
 - 751 - 850 same as for 750 set out
 - 1000 - 1300 same as for 1200 set out
 - 1400 - 1499 same as for 1500 set out
4. For plumbing set outs of customised 1751 - 2000mm double basin contact manufacturer.
5. If using a basin mixer, hot and cold hoses should be bracketed to the side or back of the vanity so as not to impede operation of the drawer.

Drawer installation and adjustment video: <https://youtu.be/v92uq8QGx7g>

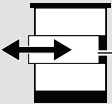


Turn adjustment screw to release front fixing bracket. Lift drawer front away from drawer box.

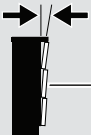
Height, side and tilt adjustments



1 Height adjustment
± 2 (3/32")



2 Side adjustment
± 1.5 (1/16")



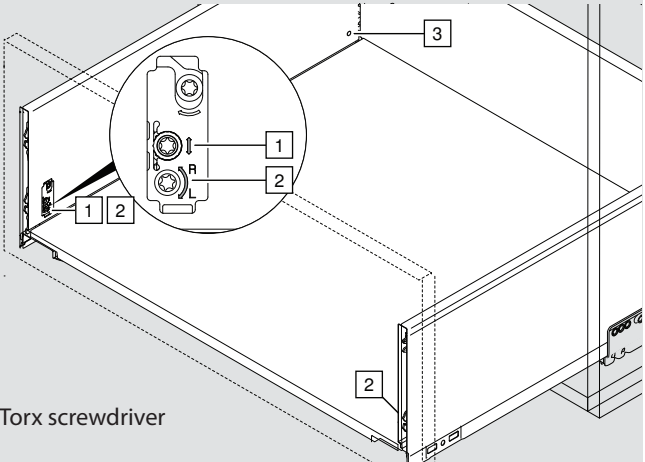
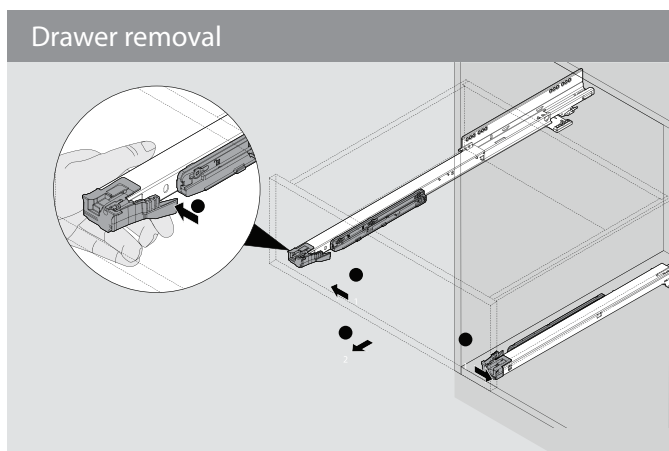
3 Tilt adjustment
M height +1.5/-0.5 (1/16"/1/32")
C/F height ±1.5 (1/16")

Height adjustment - Turn the adjustment screw clockwise to raise or lower the drawer front.

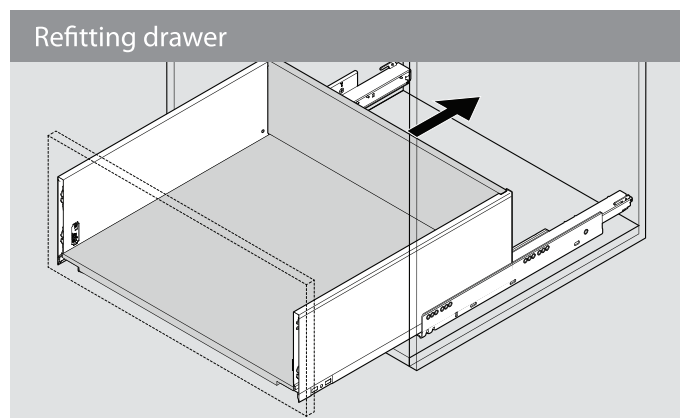
Side adjustment - Turn adjustment screw towards the L to Move drawer front left. Turn adjustment screw towards the R to move drawer front right.

Tilt adjustment - To increase the drawer front gap, turn the adjustment screw clockwise, to decrease turn adjustment screw counterclockwise.

Note: Height, side and tilt adjustments must be achieved with a T20 Torx screwdriver

Pull drawer forward to reveal locking devices. Squeeze triggers on locking device and lift drawer box off runners.



Fully extend runners. Place drawer onto runners, ensure runners are bedded fully in drawer base channel. Place hand in middle of drawer front and close the drawer pushing back firmly until a double click is heard.