

# Caroma®

CI/SfB	(74.8)	n6
Date	February 2015	

Supersedes all previous issues

## Mayfair

### Steel Shower Bath

Nominal Sizes: 915mm x 915mm x 285mm

# 9.20.1



# Caroma<sup>®</sup>

## Mayfair

**Steel Shower Bath**  
 Nominal Sizes:  
 915mm x 915mm x 285mm



A compact quality porcelain enamel on steel shower bath featuring a depth of 285mm for optimum versatility. Incorporates a pressed, slip resistant base pattern and is suitable for bathing children. The non-porous surface is resistant to scratching, household chemicals and will not absorb dirt, stains or germs. Ideal for installations with space limitations.

The **Mayfair** shower bath is available in one size:

915mm long x 915mm wide x 285mm deep – standard Code No.857560.

**Durability:** The shell is a seamless rigid steel pressing, a strong durable material that won't flex or bend so the shape is permanent with a non-porous, glass hard porcelain enamel finish which provides a hygienic, scratch and stain resistant surface.

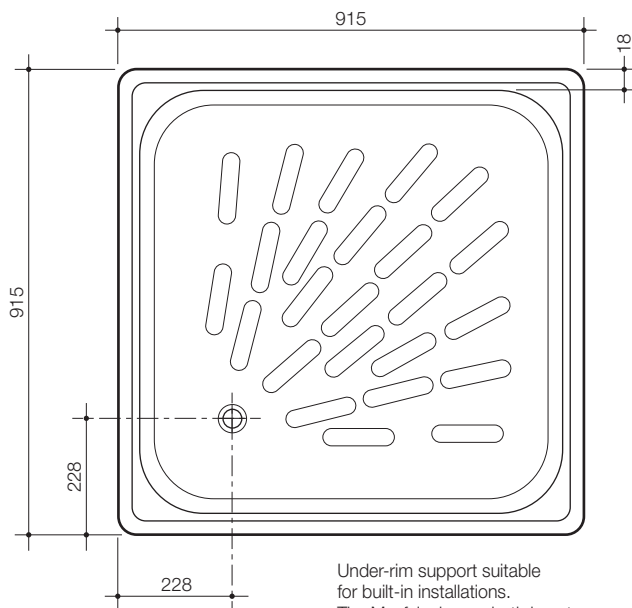
**Waste Outlet:** Waste outlet is suitable for 40mm diameter standard waste assembly.

**Shower Bath Capacity:** 200 Litres to rim, with overflow 135 litres.

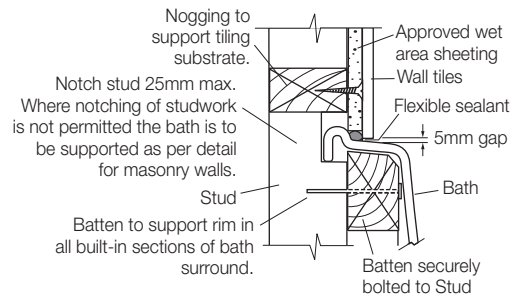
**Installation:** The shower bath is suitable for built-in installations. The shower bath is self-supported around its rim. The support system may be timber, metal or brick. Refer to Sheet 9.14.1 for further installation information.

**Colour:** White only.

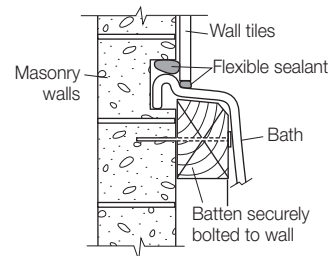
**Dimensions:** All dimensions are in millimetres and are subject to normal manufacturing variations. Caroma pursues a policy of continuing improvement in design and performance of its products. The right is therefore reserved to vary specifications without notice.



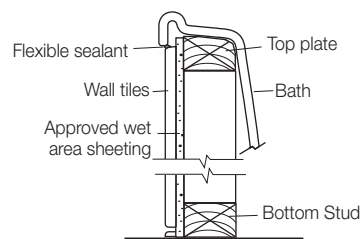
### Built-in Wall Installation



### Masonry Wall Installation



### Timber Support Installation



Timber to comply with AS1684

