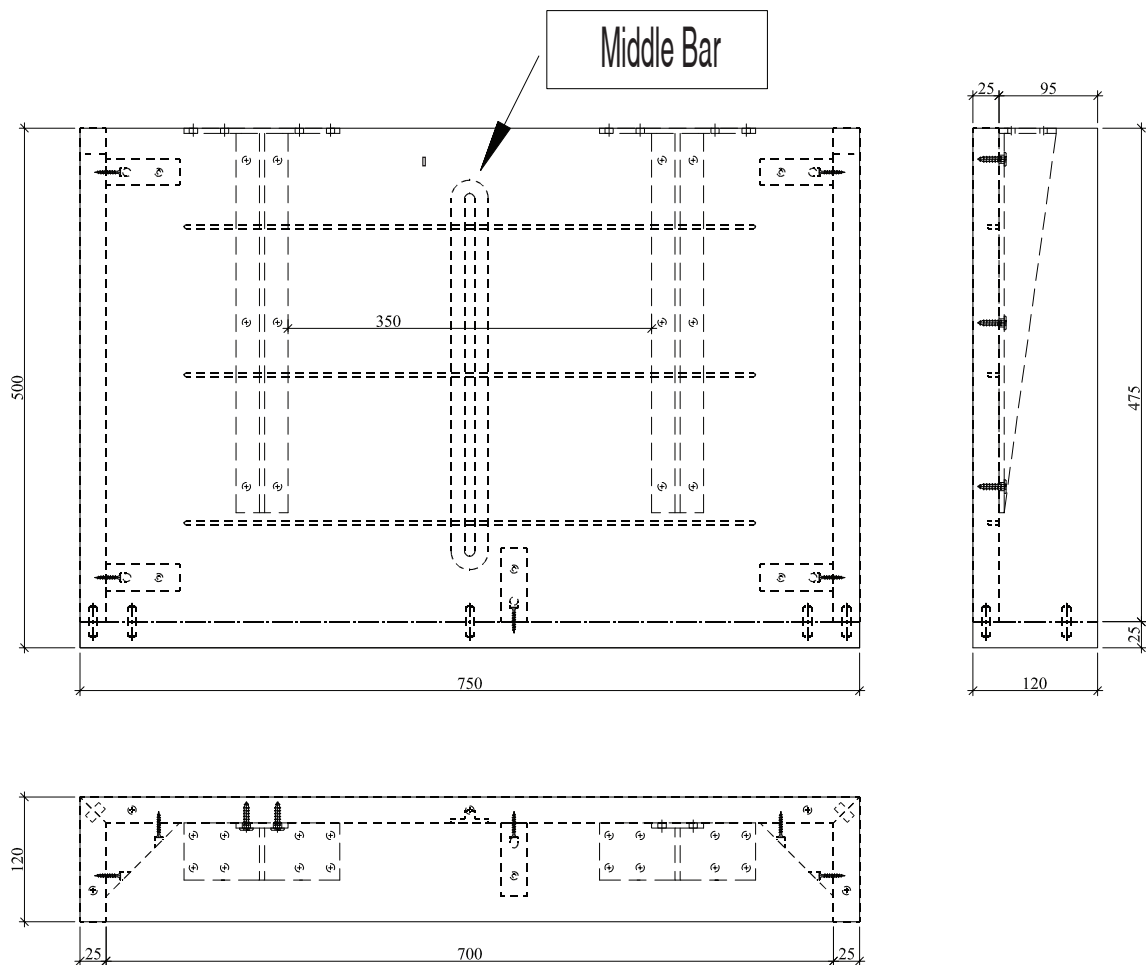


Kado ARC Basin Shelf 750mm



IMPORTANT NOTES:

The shelf must be fixed to a solid wall or timber noggins using brackets supplied.

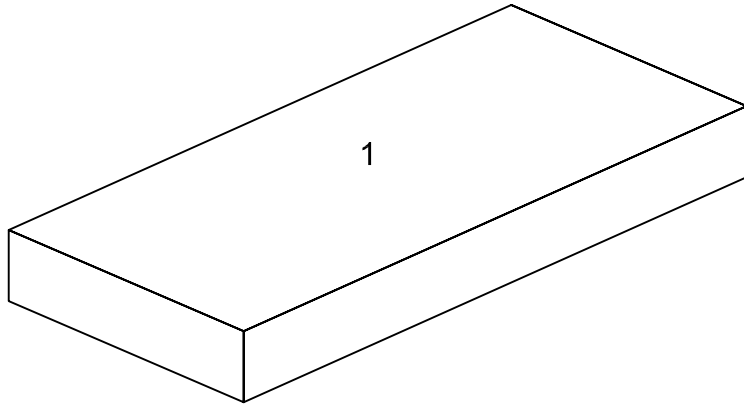
Installer must supply appropriate fixing mechanism to suit solid wall structure.

Vanity shelf must be screwed down to brackets by the installer using appropriate fixings (not included).

Remove the middle bar to facilitate desired waste positioning for basin.

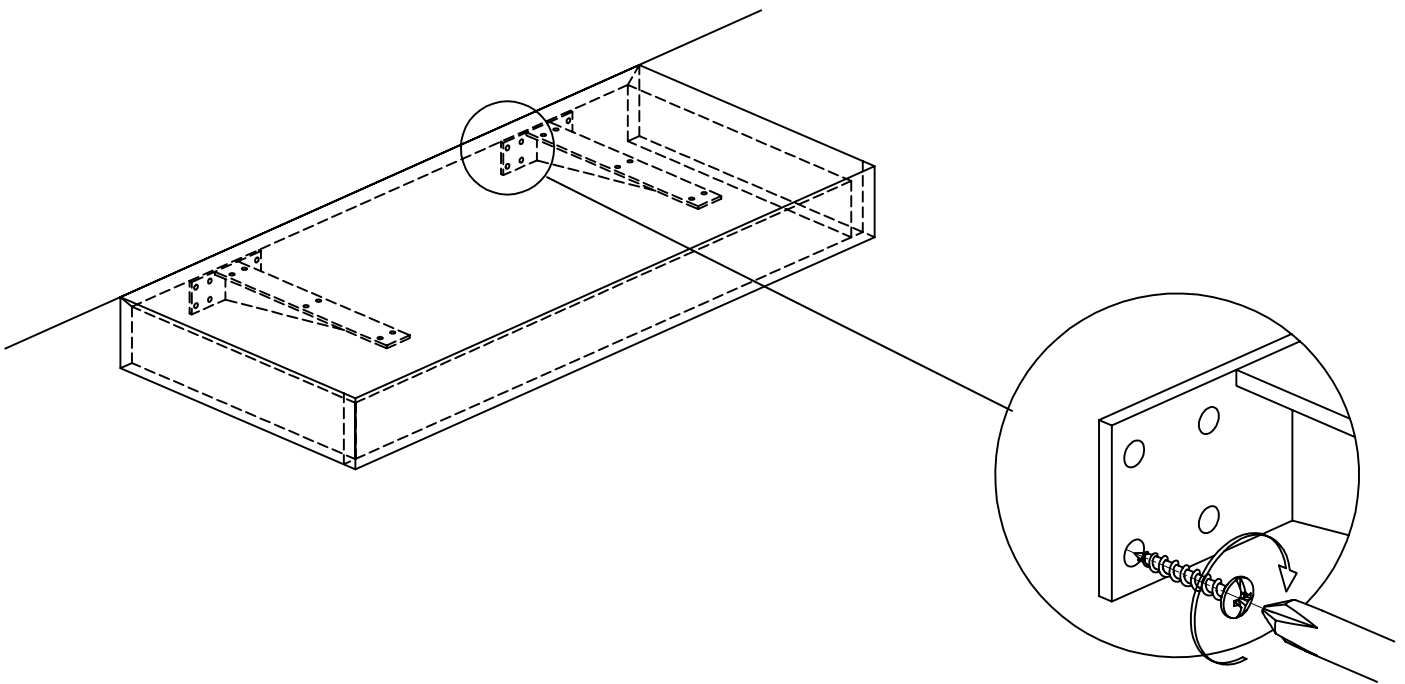
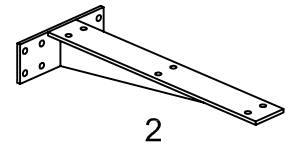
Dimensions are nominal measurements only.

Please ensure a copy of the installation instructions is left with the end user for future reference.

Kado ARC Basin Shelf 750mm

PARTS INCLUDED

- 1. Vanity shelf : 1pc
- 2. Bracket : 2pcs



Brackets must be fixed to a solid wall or timber noggin with appropriate fastenings (not supplied).

Please ensure a copy of the installation instructions is left with the end user for future reference.

Published 08/12/2020