

Technical Specifications

APPLICATION

- To protect against Class A fires in residential, commercial, and industrial environments.
- Recommended use as per NCC (National Construction Code)
- Wall mounted
- Fully serviceable

CERTIFICATION

- Standards Mark Certificate – SMKH21422
- Manufactured, assembled, and tested in accordance with AS/NZS 1221:1997

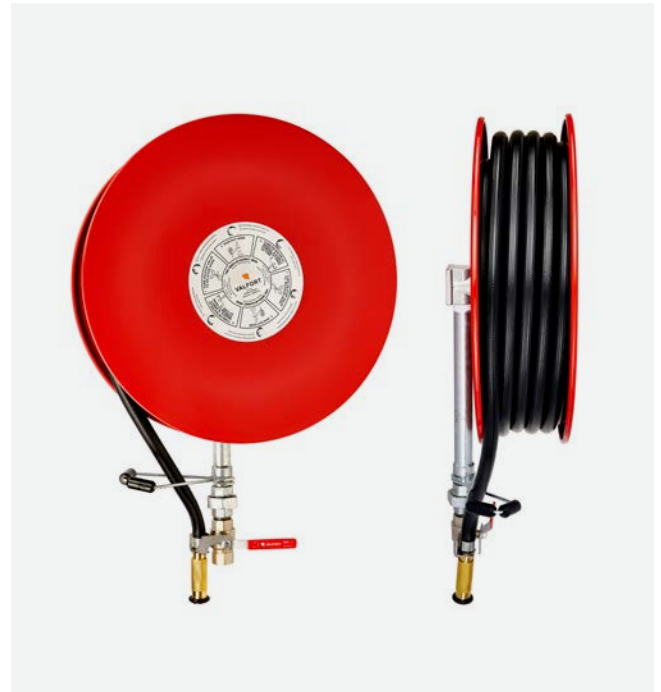


PERFORMANCE

Working Pressure	1200kPa
Test Pressure	1800kPa
Minimum Discharge Rate	0.45l/s at 220kPa +/- 10kPa

PRODUCT DATA

Weight	21kg
Drum Diameter	550mm
Drum Width	150mm
Hose Length	36m
Nominal Hose Diameter	19mm

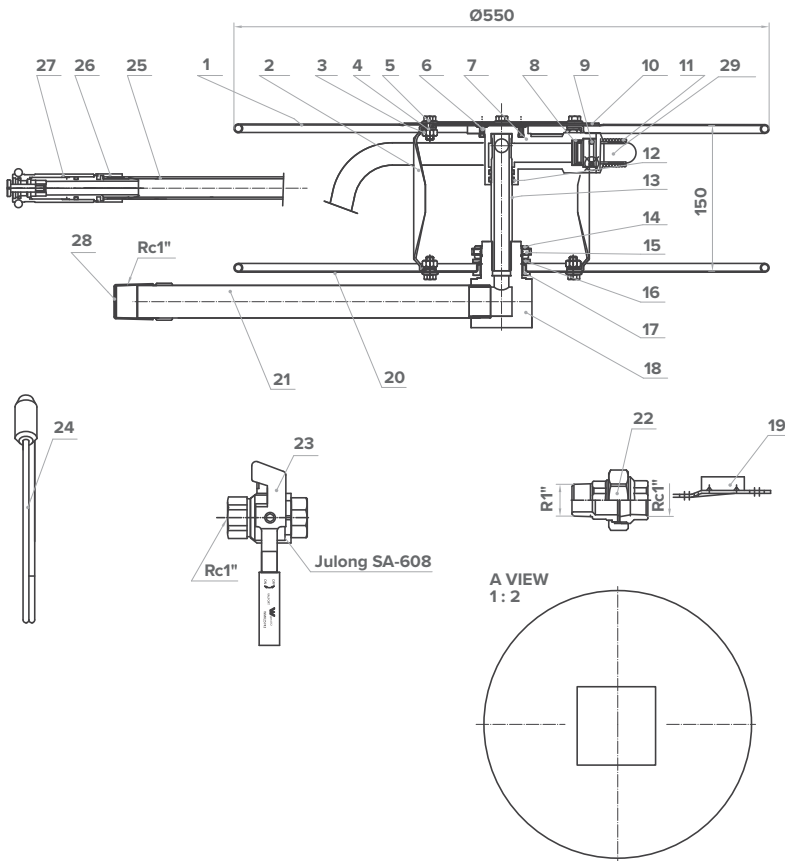


Supplied with:

- Nozzle
- Inlet pipe
- Ball valve
- Connection union
- Mounting bracket
- Roller guide



MATERIALS



NOTE

- Discs have a UV Polyester plastic (RAL 3000) coating.
- The circle by the side plate is subject to distortion. The ability to test both sides of the disc cannot produce a permanent deformation of 5mm.
- Nozzle should not require more than 2Nm of torque to open.

SPARE PARTS

Available to order at Reece.

DESCRIPTION	PRODUCT CODE
Valfort Hose Reel Spares Complete Kit	1539791
Valfort Hose Reel Ball Valve	1539790
Valfort Nozzle Only	1539788
Valfort Hose Reel Label	1539789

#	PART NAME	QTY	MATERIAL
1	Drum	1	Steel
2	Support	1	Steel
3	Nut	1	Steel
4	Gasket	2	Steel
5	Screw	1	Steel
6	Rivet	1	
7	Adapter	1	Nylon
8	O-Ring	1	NBR
9	Seal	1	20 Steel
10	Label	1	Aluminium Alloy 6061
11	Elbow	1	Nylon
12	O-Ring	1	NBR
13	Pipe	1	Steel
14	Nut	1	Steel
15	Screw	2	Steel
16	Gasket	1	Nylon
17	Cover	1	ABS
18	Valve	2	Aluminium
19	Fixer	1	Steel
20	Drum	1	Steel
21	Pipe Assembly	1	
22	Coupling Assembly	1	
23	Ball Valve Assembly	1	
24	Guide	4	
25	Hose	12	PVC
26	Hoop	12	Steel
27	Nozzle	12	
28	Jacket	6	PE
29	Spring	1	Spring Steel

INSTALLATION INSTRUCTIONS

Step 1

- a) For hose reel installations on concrete or solid brick material; use only 4 x set anchors 10x75mm.
- b) For hose reel installations on timber construction; use only 4 x galvanised coach screws 10x75mm.

Centre line of bracket should be 1.4-2.4m above floor level.

Step 2

- Fit hose reel onto wall bracket.
 - Fit hose roller guide to 25mm inlet pipe, and fit union half to inlet pipe.
- a) Where the hose guide is fitted to the hose reel supply pipe, it shall be located in a manner that will prohibit the guide moving vertically.
 - b) Where a hose reel is fixed in a cabinet or recess, the hose guide shall protrude beyond the recess when the hose is run out.

Step 3

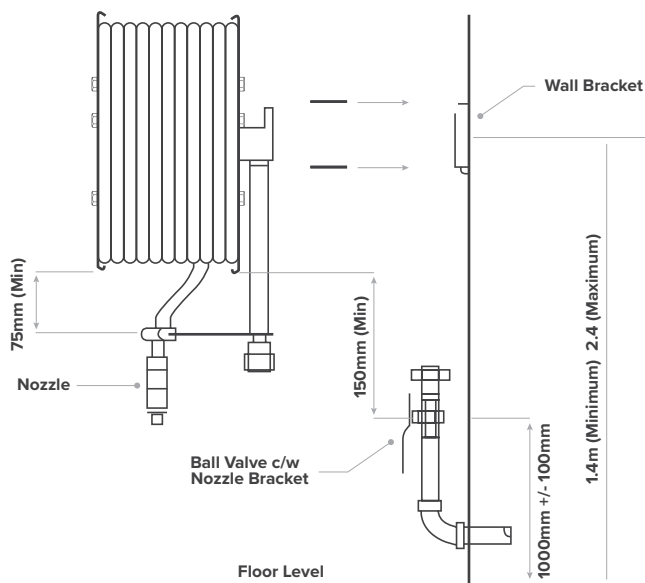
- Fit valve/union assembly to incoming water supply line and assemble union with rubber sealing ring.

Step 4

- The hose and nozzle must feed through the roller guide and be secured to the nozzle bracket at the stop valve.

Step 5

- Carry out installation, pressure test and commissioning in accordance with AS2441.



MAINTENANCE INSTRUCTIONS

This hose reel is to be maintained in accordance with AS1851.

NOZZLE REPLACEMENT INSTRUCTIONS

Step 1

Soak the end of the hose in hot water to soften up the material.

Step 2

Fit the hose clamp on the hose.

Step 3

Fit nozzle onto the hose whilst it is still hot.

It is important for the hose to be hot as this enables a degree of elasticity for the nozzle to be inserted.

Step 4

Tighten hose clamp with either a cordless drill or screwdriver to secure nozzle in place.