

Posh Solus Counter Basin 500mm x 400mm 1 Taphole

SPECIFICATIONS

Recommended Use	Domestic, Hotel & Commercial
Material	Vitreous China with Glazed Back
Colour	White
Bowl Capacity	5.1 Litres
Weight	18kg
Fixing	Bench mounted installation with sanitary grade flexible sealant
Taphole Configuration	1 Taphole
Overflow Configuration	Integrated Overflow
Waste Size	32/40mm Overflow Waste
Plug & Waste	Sold Separately
Tapware	Sold Separately

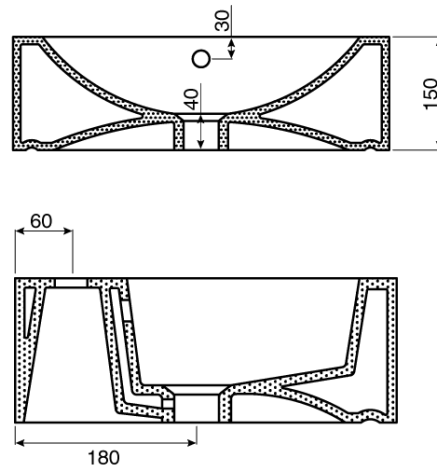
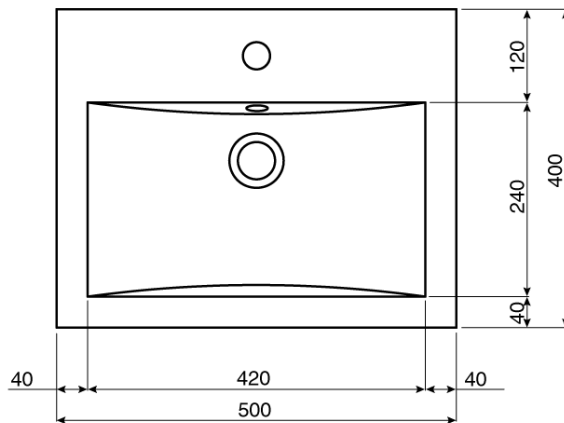
WARRANTY

Warranty - Domestic Use	10 Years
Spare Parts & Labour	12 Months

Please refer to Warranty Page for full Terms and Conditions



9508222



CLEANING RECOMMENDATIONS:

We recommend the use of soapy water or approved cleaners. This product should not be cleaned with abrasive materials. Damage caused by any improper treatment is not covered by the product warranty. Refer to Warranty Conditions.

Dimensions are nominal measurements only.

Disclaimer: Products in this specification manual must by regulation be installed by licensed and registered trade people. The manufacturer/distributor reserves the right to vary specifications or delete models from their range without prior notification. Dimensions are nominal measurements only. Dimensions and set-outs listed are correct at time of publication however the manufacturer/distributor takes no responsibility for printing errors.

Published 24/07/2020