

# UPS N

## THREE SPEED, STAINLESS STEEL HOT WATER CIRCULATOR



### WATER SOURCE



Hot Water

### APPLICATION



Hot Water  
Circulation



SCAN THE QR CODE  
TO LINK TO GRUNDFOS  
PRODUCT CENTER

The Grundfos UPS N is an ultra quiet, compact domestic circulation pump, designed to pump hot water around the home, making it instantly available for taps in the bathroom, kitchen or anywhere hot water is required.

- **Instant hot water at the tap** - As circulators provide instant hot water at the tap (with return line), they can save hundreds of litres per year from going down the drain while you wait for hot water to arrive from your hot water system
- **Adjustable pressure modes** - Comes with a built-in 3 speed controller which allows you adjust the pressure to showers or tap as required
- **Hygienic, stainless steel construction throughout**
- **Quiet operation** – Very quiet operation that won't disturb your family



UPS N 20 mm, 25 mm & 32 mm  
Union Sets available separately



### PUMP SIZING

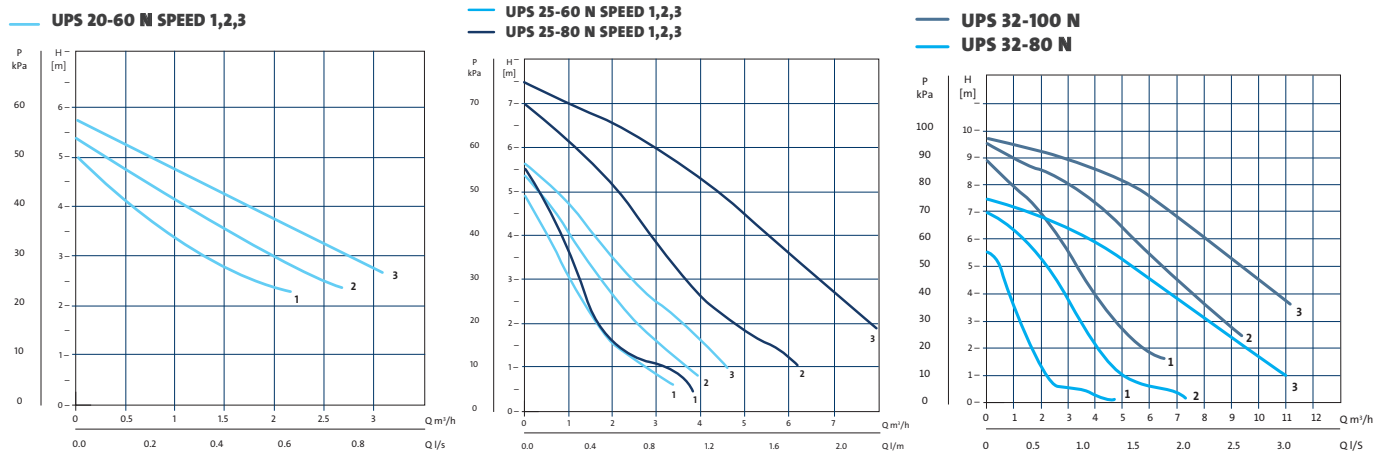
	UPS 20-60 N 150	UPS 20-60 N K150	UPS 25-60 N 180	UPS 25-80 N 180	UPS 32-80 N 180	UPS 32-100 N 180
	20 mm Pipework		25 mm Pipework		32 mm Pipework	
	Maximum System Pipework Length					
Speed 1			70 m	80 m	75 m	175 m
Speed 2	55 m	55 m	95 m	120 m	150 m	190 m
Speed 3	75 m	75 m	95 m	130 m	170 m	200 m

#### Sizing assumptions:

- Uninsulated pipework
- Tempering valve installed
- 20 elbows and 10 tees
- 5°C temperature drop
- Electric storage hot water system

# TECHNICAL & PERFORMANCE DATA

## PERFORMANCE CURVE



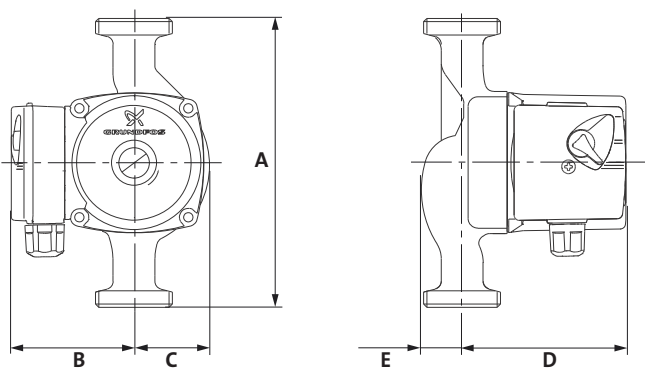
## OPERATING CONDITIONS

<b>Liquid Temperature</b>	Std = +2°C to +110°C K = -25°C to +95°C
<b>Ambient Temperature</b>	0°C to +40°C
<b>System Pressure</b>	Max. 10 bar
<b>Sound Pressure</b>	Max. 43 dB

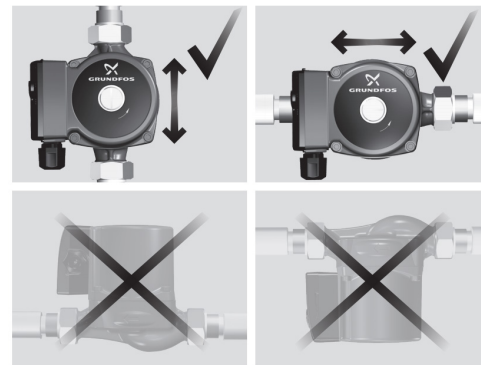
## TECHNICAL DATA

<b>Power Supply Voltage</b>	240 Volt, 50 Hz
<b>Power Connection</b>	Installation by qualified electrician
<b>Enclosure Class</b>	Undercover installation recommended (IP44)

## PHYSICAL ATTRIBUTES



## INSTALLATION NOTES



Model	Motor Power P1 (kW)	Pipe Connections	Dimensions (mm)					Weight (kg)
			A (Port to Port)	B (w1)	C (w2)	D (d1)	E (d2)	
UPS 20-60 N 150	0.09	1 1/2"	150	75	51	28	102	3
UPS 20-60 N K 150	0.12	1 1/2"	150	75	51	28	102	3
UPS 25-60 N 180	0.06	1 1/2"	180	75	51	32	102	3
UPS 25-80 N 180	0.17	1 1/2"	180	85	62	46	125	4
UPS 32-80 N 180	0.22	2"	180	85	62	48	125	5
UPS 32-100 N 180	0.35	2"	180	90	68	47	150	6