



WELS REG#
P Trap: L06704
S Trap: L06703



Scan QR code to view online



features and benefits

- WELS and WaterMark certified
- Integral pressed seat area
- Prison-grade vandal resistance
- Safety radius front edges
- Unique blockage resistant trap
- Free of ligature points
- Contraband-proof flushing rim
- Concealed fixings
- Left and right access panels
- 4.5/3 litre flushing compatible
- Anchored to rear wall and floor
- Option for permanently sealed access panels (maximum security projects)
- Suits detention facilities and public amenities

about

The *BRITEX Grandeur Toilet Pan* is consistently chosen by specifiers as the pan of choice for correctional facilities and amenities requiring the most vandal resistant fixtures. Key to the Grandeur is the integral, seamless pressed seat area that eliminates the need for an add-on that can be removed or broken. Additionally, it incorporates a contraband-proof flushing rim and is free of ligature points making it ideal for installing in correctional facilities and holding cells. The pressed internal bowl and unique trap design makes it extremely water efficient (4.5/3 litre) and less susceptible to blockages. WaterMark and WELS certified as required by plumbing regulations and government legislation.

sample spec. text

BRITEX S.S. Grandeur Toilet Pan - 4 WELS rating and WaterMark certified. S/P Trap, integrated pressed seat area, 14mm safety radius front edge, fully shrouded to rear wall and 2 x access panels - Product Code PGX*

*RED TEXT may denote a **variable** where one option only is to be selected, a **nominal dimension** that needs to be specified, or an **optional feature** that can be removed if not required. Please refer to the back of this page for additional specification details and options.

VISIT BRITEX.COM.AU TO DOWNLOAD BIM FILES, CAD DRAWINGS AND THE MOST CURRENT PRODUCT LITERATURE.



MELBOURNE
Britex Place, Mirra Crt
Bundoora VIC 3083
t (03) 9466 9000
f (03) 9466 9011

SYDNEY
16 Northumberland Drv
Taren Point NSW 2229
t (02) 9531 2100
f (02) 9531 2800

PERTH
Unit 1/8 Principal Link
Malaga WA 6090
t (08) 9249 5464
f (08) 9248 6893

BRISBANE
19 Manilla St
East Brisbane QLD 4169
t (07) 3363 2400
f (07) 3363 2444

ADELAIDE
The Britex Group
SA State Office
t 1300 764 744
f 1300 784 306

GRANDEUR PAN

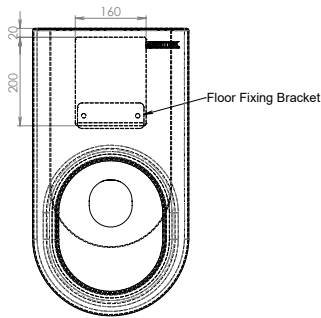
PRODUCT CODE

PGS S Trap Model

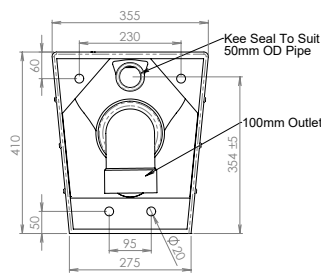
PGP P Trap Model

MAXIMUM SECURITY MODEL AVAILABLE

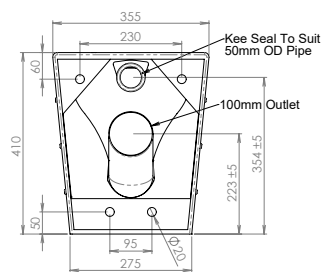
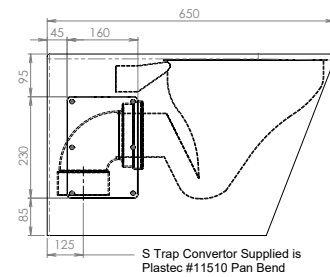
Add '-MS' to the end of the above product codes to specify a maximum security, rear access only model supplied with permanently sealed side access panels.



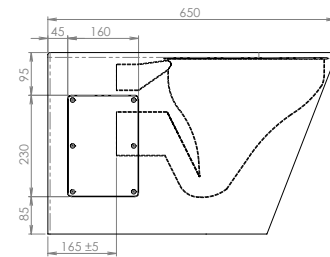
MODEL PGS / PGP Plan



MODEL PGS Side and Rear Elevation



MODEL PGP Side and Rear Elevation



When specifying this product please include:



- Product Name and Code
- Product Dimensions
- Product Features / Options
- P or S Trap
- Seat Model (if required)



- Toilet Seat see p 2.18
- S or P trap configurations
- Top entry to suit wall mount cistern
- Britex Cistern - see Flushing Section: 3
- Permanently sealed access panels for maximum security projects
- Custom material thickness - consult BRITEX

VISIT BRITEX.COM.AU TO DOWNLOAD BIM FILES, CAD DRAWINGS AND THE MOST CURRENT PRODUCT LITERATURE.

Last Revised 2020



Due to ongoing research and our commitment to product development, details are subject to change without notice. Details accurate at time of print. Please refer to britex.com.au for the most current product information. Allow +/- 5mm tolerance for dimensions and setouts shown in product literature.



britex.com.au | info@britex.com.au | A.B.N 83 004 309 737