



Backflow Prevention

350 Series DCV

32-50mm

Application

Designed for installation on water lines to protect against both backsiphonage and backpressure of polluted water into the water supply. Double Check Valve Assembly shall provide protection where a potential health hazard exists. (Medium Hazard)

Standards Compliance

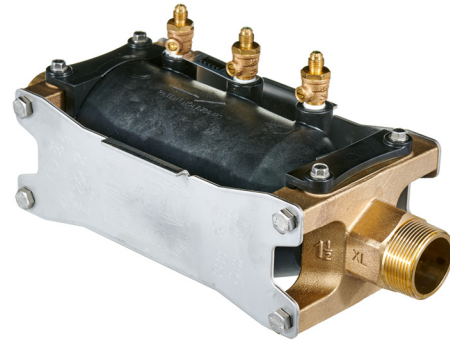
Australian Watermark (AS/NZS 2845.1) Certified Lic. 1379



WATERMARK
AS/NZS 2845.1
LIC. WMKA1379

Materials

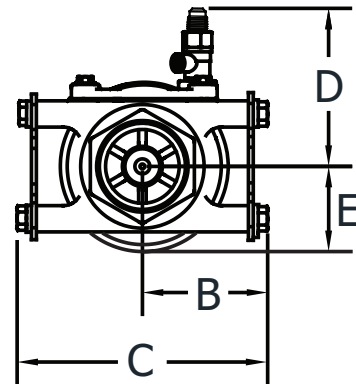
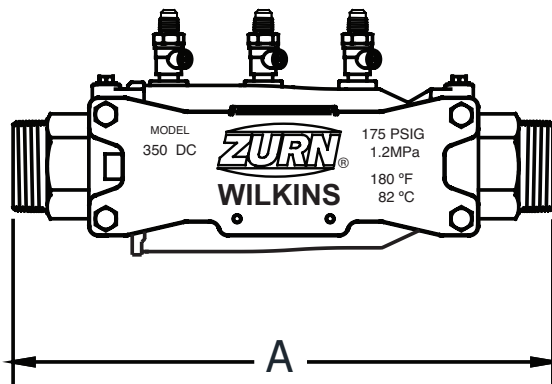
Housing	Reinforced Nylon
Fasteners	Stainless Steel, 300 Series
Elastomers	Silicone, Buna Nitrile
Internals	Delrin
Springs	Stainless steel, 300 series
Tailpieces	Cast Bronze, Lead Free
Struts	Stainless Steel, 300 Series
End connections	ISO 7.1 R Tapered Pipe Thread
Test connections	1/4" SAE 45° Flare



LEAD FREE

Operating Parameters

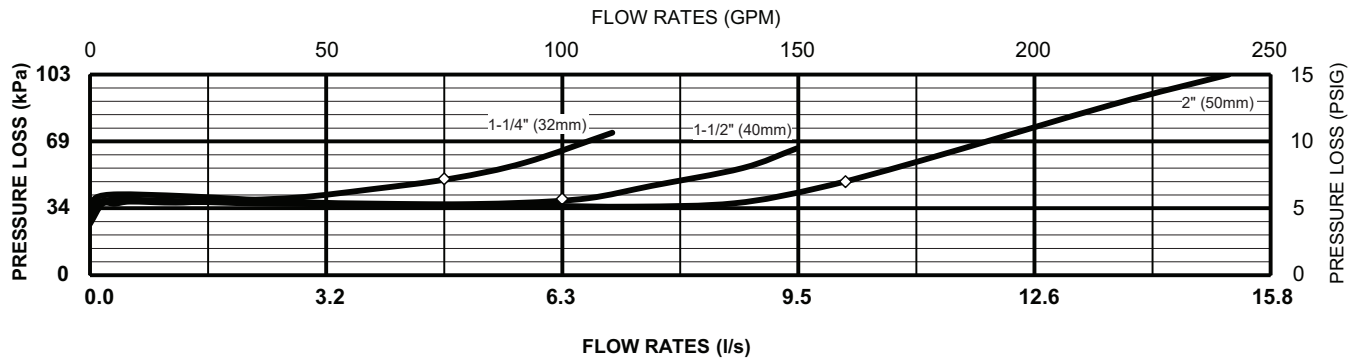
Maximum working water pressure	1200kPa
Maximum working water temperature	82°C
Hydrostatic test pressure	2400kPa



Dimensions & Weights (do not include pkg.)

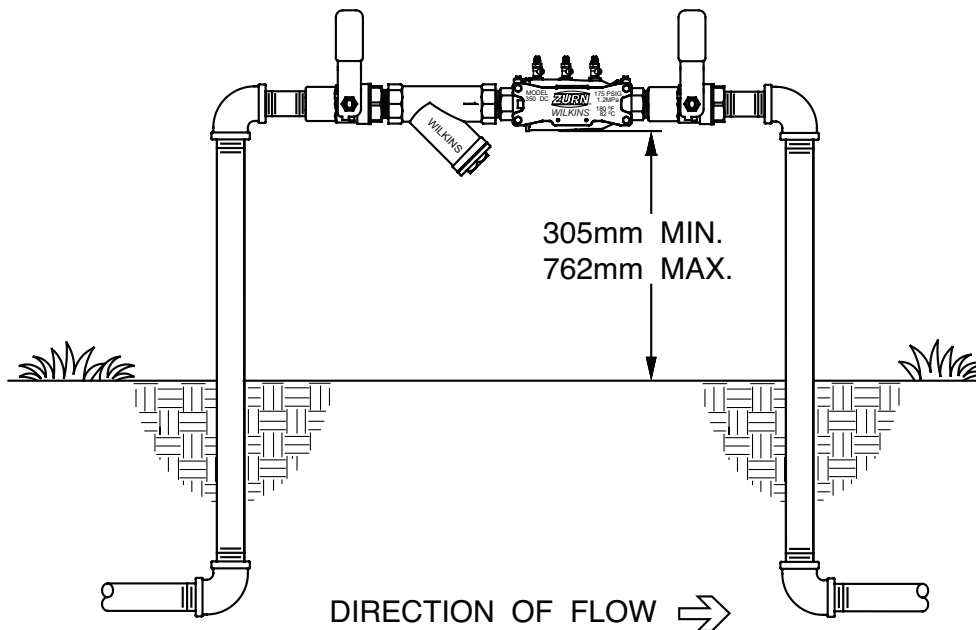
VALVE SIZE	REECE CODE (valve only)	ZURN CODE (valve only)	DIMENSIONS (approximate)					WEIGHT (valve only)
			A	B	C	D	E	
mm			mm	mm	mm	mm	mm	kg
32	4000148	114-350LFTBT	367	86	171	105	57	7.8
40	4000154	112-350LFTBT	367	86	171	105	57	7.7
50	4000160	2-350LFTBT	367	86	171	105	57	8.2

MODEL 350 32 - 50mm (STANDARD & METRIC)



Typical Installation

Local codes shall govern installation requirements. To be installed in accordance with the manufacturers' instructions and the latest edition of the Plumbing Code of Australia and/or AS/NZS 3500. Unless otherwise specified, the assembly shall be mounted at a minimum of 12" (305mm) and a maximum of 30" (762mm) above adequate drains with sufficient side clearance for testing and maintenance. If installed below grade, be certain adequate drainage is provided to prevent the device from being submerged.



TYPICAL INSTALLATION

Specifications

The Double Check Valve Backflow Preventer shall be Australian WaterMark Certified (AZ/NZS 2845.1), rated to 82°C and supplied with male pipe thread tailpieces. The housing shall be reinforced Nylon and the seat disc elastomers shall be silicone. The first and second checks shall be accessible for maintenance without removing the device from the line. The Double Check Valve Backflow Preventer shall be a ZURN WILKINS Model 350.