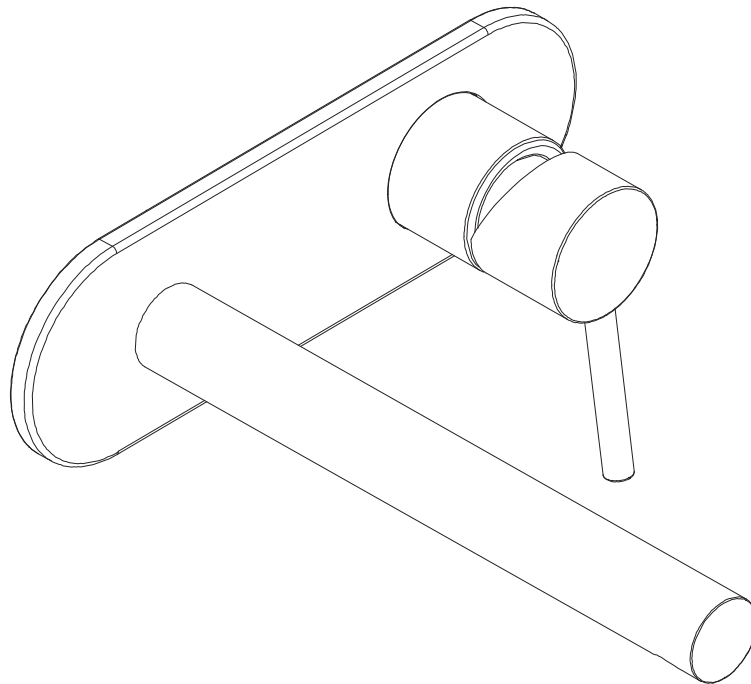
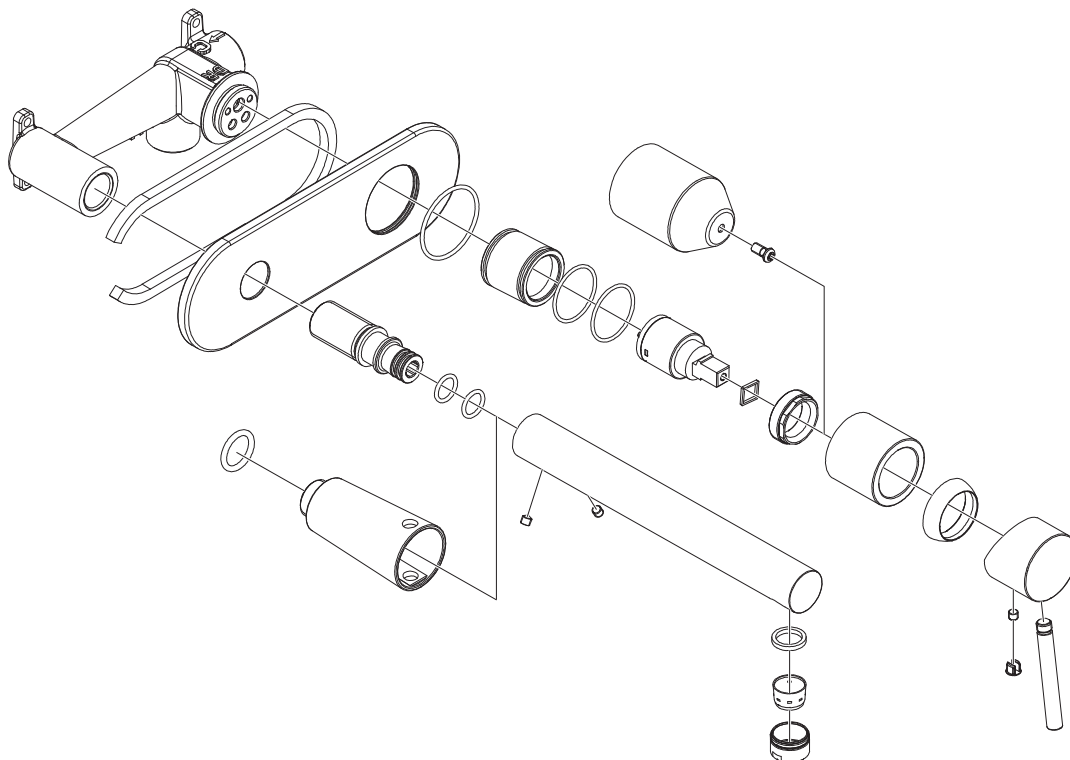


mizu

Mizu Drift MK2 Wall Basin Mixer / Wall Bath Mixer (6 Star)



Diagram




Installation Instructions





Mixer must be installed to the requirements of AS/NZS 3500 by a qualified plumber. The mixers are factory tested and sealed so as to give the best performance.

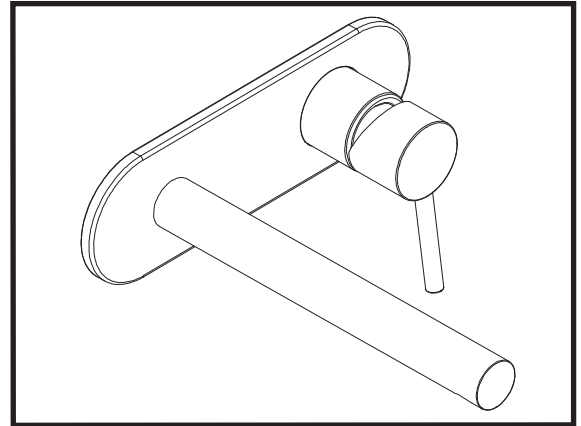
Installation

Important  Flush out new pipe work prior to connecting the new mixer.


Important  During installation, protect the exposed surface finish by using the plastic covers provided.

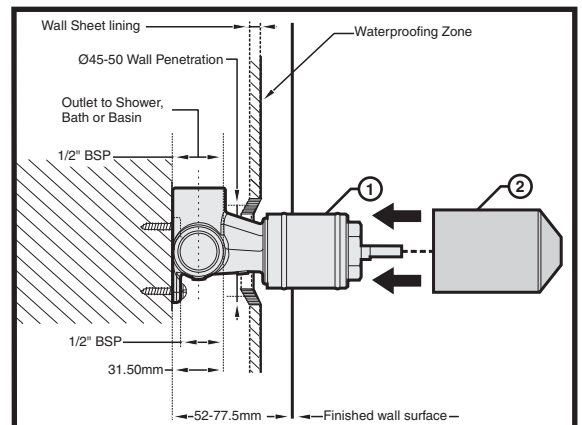
Important  In a typical installation, the mixer is mounted on a timber/metal noggin and secured using suitable screws through the mounting lugs.

Important  Waterproofing and sealant materials are used to seal against moisture or water penetration to ensure integrity of the wall sheet lining structure. It must not interfere with the removal of the protective cover and installation of the mixer trim components. The installing plumber is responsible for waterproofing the shower mixer penetration AS 3740 - Waterproofing of Domestic Wet Areas.



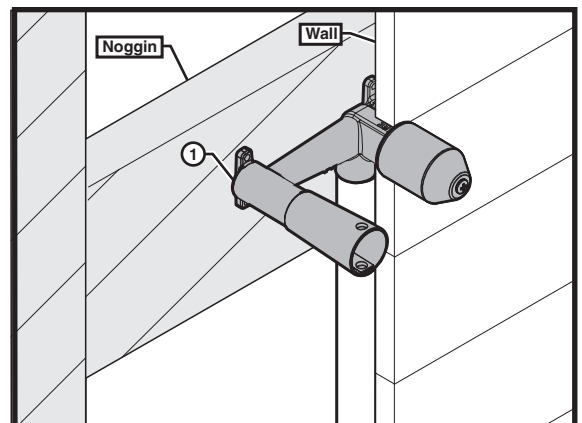
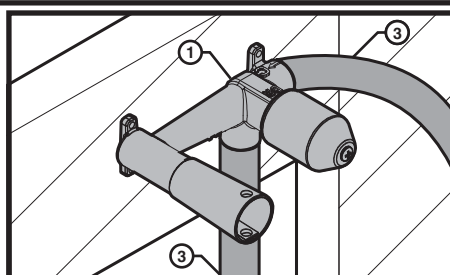
Note: This tap is suitable for applications where both hot and cold water supply pressures are at 150kPa - 500kPa.

Important  Waterproofing / sealant materials must be clear of the Protective Cover (2) and the surface it protects (1) to allow for removal of the protective cover and mixer trim set for fit off.



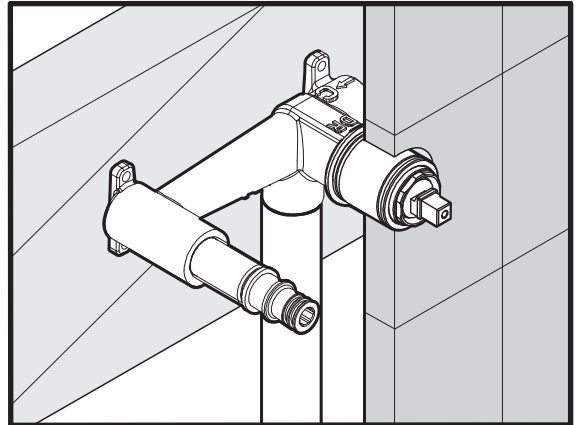
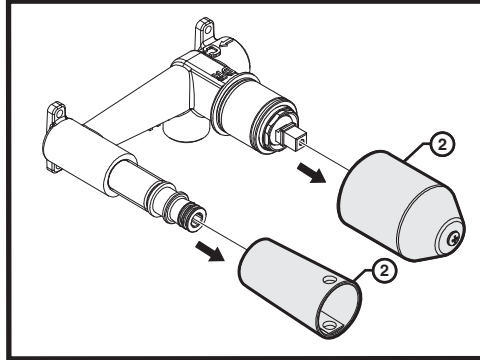
1. Connect Mixer (1) to hot and cold Water Supply (3).
2. Connect shower pipework to the top outlet.
3. Pressure check all connections.

Important  Leaking joints are not covered by the warranty.

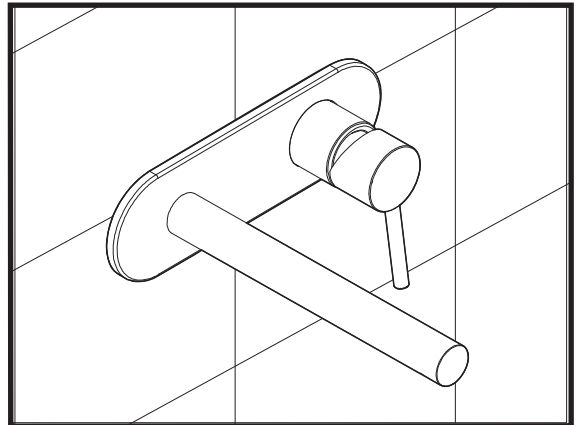
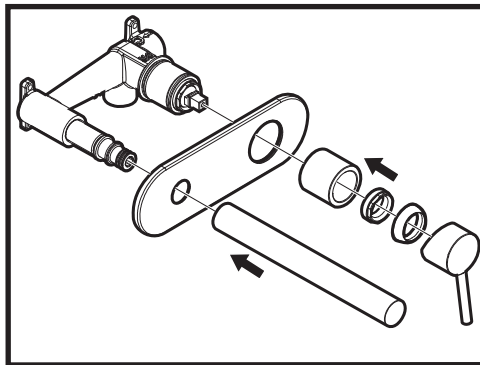


mizu

1. When the wall is finished (eg. tiled), remove the protective covers (2).

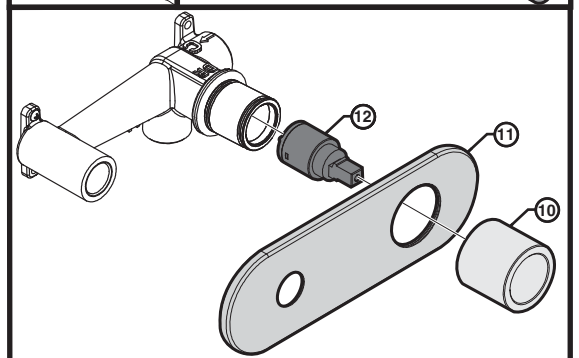
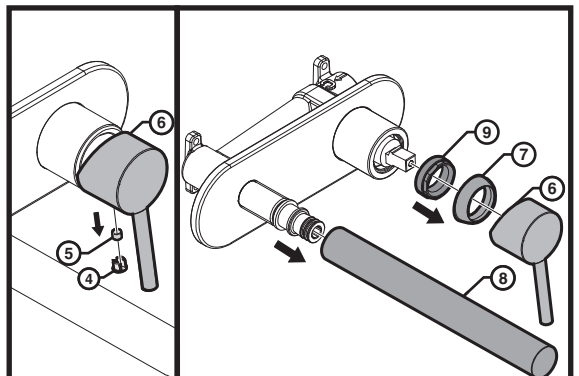


2. Fit the Basin or Bath Mixer Trim Set to finished wall.



Servicing - Replacement of Cartridge

1. Remove Decorative Cover (4) and unscrew the Grub Screw (5) using an allen key.
2. Lift off the Handle (6) and remove the Cartridge Dome (7), Outlet (8) and unscrew the Brass Locking Nut (9).
3. Remove Cartridge Sleeve (10) and Back Plate (11).
4. Lift out the Cartridge (12).
5. Re-fit the Cartridge (12), Cartridge Sleeve (10), Back Plate (11), Locking Nut (9), Cartridge Dome (7), Outlet (8) and Handle (6).
6. Tighten Grub Screw (5) and push in Decorative Cover (4).

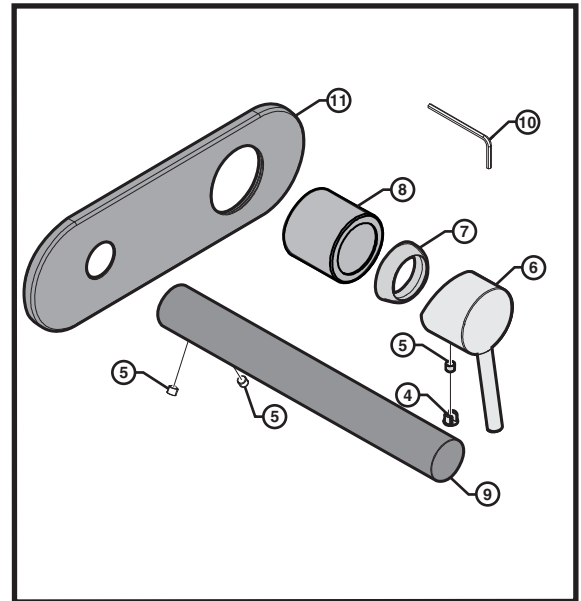


mizu

Replacement of Trim Set

The Mizu Universal Inwall Body is an innovative installation system that allows for separation of the inwall body from the trim set kit. Once the Universal Inwall Body is installed, the retrofittable trim set kit can be updated to another choice of finish from the Mizu Drift MK2 range or a design and finish change from the Mizu Silk range.

1. Remove Decorative Cover (4) and unscrew the Grub Screw (5) using Allen Key (10).
2. Lift off the Mixer Handle (6) and Outlet (9).
3. Remove Cartridge Dome (7) and Cartridge Sleeve (11).
4. Remove mixer Backplate Set (12).
5. Reassemble trim set from desired range.



MIZU Drift MK2 WALL BASIN & BATH MIXER						
Number	Part	Quantity	Chrome	Matte Black	Brushed Nickel	Brushed Gold
4-11	Mizu Drift MK2 Wall Basin Mixer Trimset (6 Star)	1 Set	2263871	2263872	2263873	2263874
4-11	Mizu Drift MK2 Wall Bath Mixer Trimset	1 Set	2263875	2263876	2263877	2263878
4-6	Mizu Drift MK2 Handle Set	1	2216038	2216039	2216040	2216041
7	Mizu Drift MK2 Concealed Wall Mixer Cartridge Dome	1	9510666	9510667	9510668	9510669
8	Mizu Drift MK2 Concealed Wall Mixer Cartridge Sleeve	1	9510662	9510663	9510664	9510665
11	Mizu Drift MK2 Wall Basin/Bath Mixer Cover Plate	1	2216059	2216060	2216061	2216062
9	Mizu Drift MK2 Wall Basin/Bath Outlet	1				
	Mizu Drift MK2 Wall Basin Outlet Aerator (6 Star)	1	2216034	2216035	2216036	2216037
	Mizu Drift MK2 Wall Bath Outlet Aerator	1	2216076	2216077	2216078	2216079
10	Mizu Drift MK2 Allen Key 2.5mm	1				

Care Details

We recommend the use of soapy water or approved cleaners. This product should not be cleaned with abrasive materials. Damage caused by any improper treatment is not covered by the product warranty. Refer to Warranty Conditions

Plumbers, please ensure a copy of the installation instruction is left with the end user for future reference.

