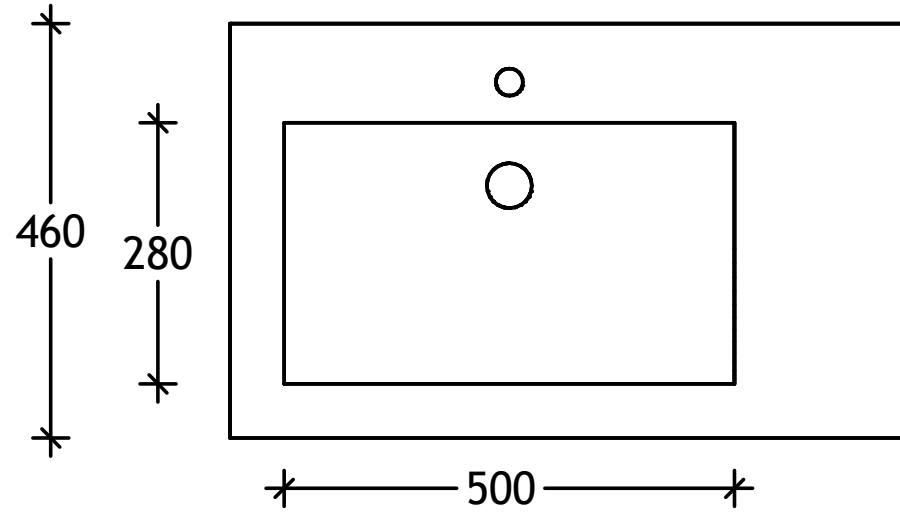


750

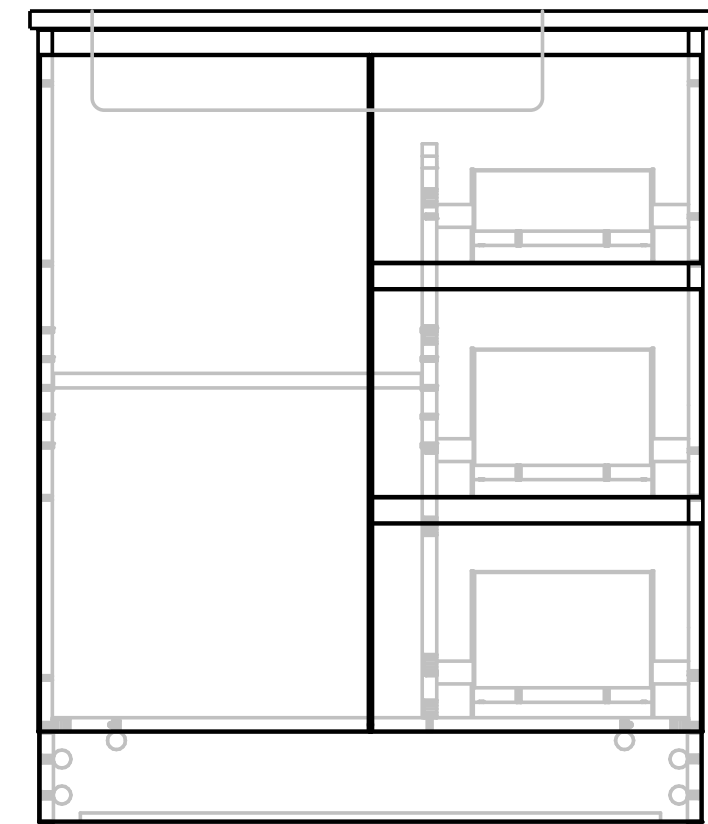
310 440



CAST MARBLE TOP
BASIN CAPACITY: 6L TO OVERFLOW

750 155

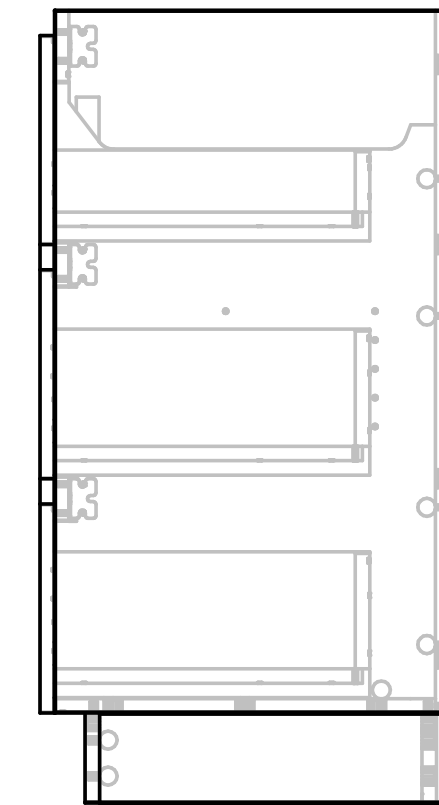
22
28
232
28
232
28
232
100
880



155

880 780 100

90



1.5 366.2 2.5 366.3 1.5

738

16.1 440

456.1