

posh

Domaine Shelf Shaving Cabinet

✓ PRIOR TO INSTALLATION CHECKLIST



This product must be installed by a qualified tradesperson and we would expect the installation to be undertaken in a tradesperson like manner and finished to a tradesperson standard. This product carries a full warranty against faulty workmanship and materials.

Please inspect thoroughly before installation to ensure that the product has not been damaged and is correct. No claims for damage or incorrect items will be recognised after installation.



IT IS THE RESPONSIBILITY OF THE INSTALLER TO MAKE ANY ADJUSTMENTS TO DOORS/DRAWERS AFTER INSTALLATION IF REQUIRED.

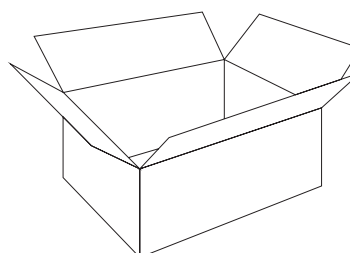
1 Check Products For Any Damages

Within 48 hours of receiving your goods, unpack your ADP product and check for any possible freight damages or incorrect items.

Please contact your place of purchase to report damages or missing parts.

No claims for damages will be recognised after installation.

Please note: fixing screws/bolts are not supplied for installation.



2 Positioning & Ventilation

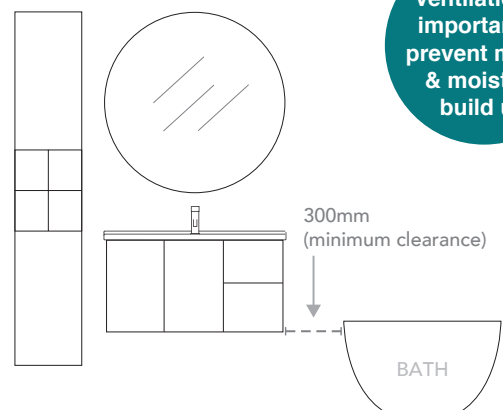
Planning your bathroom furniture placement is critical.

Furniture must be at least 300mm away from any wet areas. Materials used in the construction of our furniture units are moisture resistant, not water proof.

Do not expose furniture to shower spray.

It is important that your bathroom is adequately ventilated to eliminate moisture build up.

High humidity will lead to permanent dampness and mould resulting in a deterioration of the materials in your bathroom.

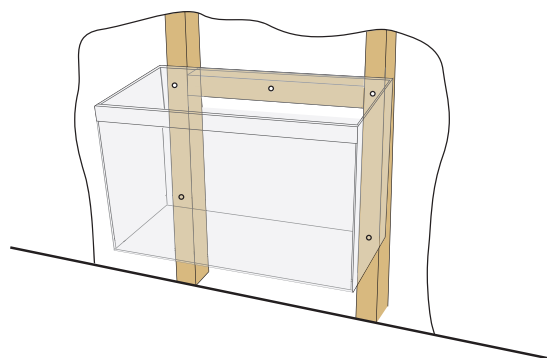


3 Check for Support Beams

Wall hung furniture & basins require fixing to a support beam fitted between the studs to give a solid wall backing to attach the vanity to.

If necessary, fix additional support noggins at desired height for cabinet and basin fixing prior to sheeting the wall.

Ensure total width of support noggin exceeds vanity width.



Plumbers, please ensure a copy of the installation instructions is left with the end user for future reference

reece

posh

Domaine Shelf Shaving Cabinet

4 Check for Plumb Walls & Level Floors

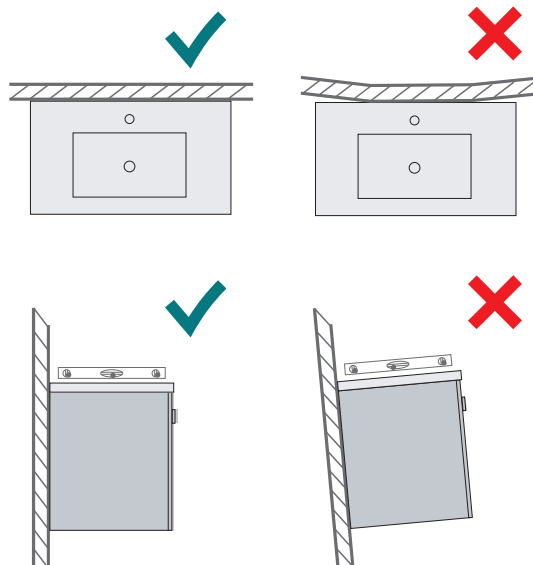
Ensure the wall is plumb and straight, ensure floor is level. If you fix the product to a non-plumb wall or floor the following could happen:

- Your door or drawers will not operate correctly.
- Door or drawers will not align.
- Basins will not sit level, which may cause water to pool or not drain properly.

If it is not possible to make the wall or floor plumb and straight you must pack the vanity out so that it does not follow the out of aligned wall.

Floor standing vanities must sit on a level floor or be packed so they sit level and true.

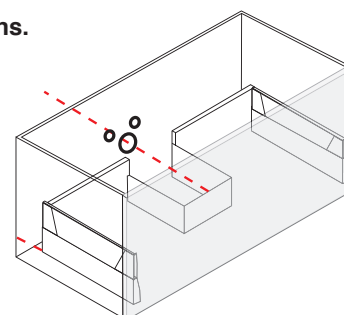
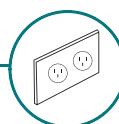
Please note if your vanity is fixed to a bowed wall, the fastening of the fixings will force your cabinet to twist and benchtop materials may crack due to increased stress on joins and materials.



5 Check Plumbing Positions Align with Product Interior Configurations.

Take note of clearances behind drawers when considering water supply fittings inside cabinet.

Please note if your product has any electrical fittings please allow for this and talk to your electrician

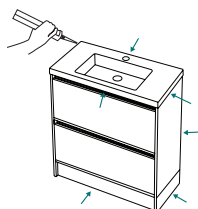


! IMPORTANT TIPS



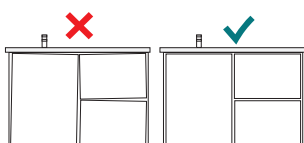
ENSURE ALL TILES EXTEND BEHIND AND BENEATH THE BATHROOM FURNITURE.

ADP do not recommend tiling in furniture due to moisture and mould build up which can damage the material and void the warranty.



ALL AREAS WHERE CABINET/TOP MEETS WALL AND/OR FLOOR MUST BE SEALED USING A NEUTRAL CURE SILICONE.

All edges where vanity top meets cabinet, wall or surrounding furniture must be sealed with a continuous bead of silicone.



IT IS THE RESPONSIBILITY OF THE INSTALLER TO MAKE ANY ADJUSTMENTS TO DOORS/DRAWERS AFTER INSTALLATION IF REQUIRED.

There may have been some movement in transportation and installation which causes doors/drawers to become unaligned.

Plumbers, please ensure a copy of the installation instructions is left with the end user for future reference

reece

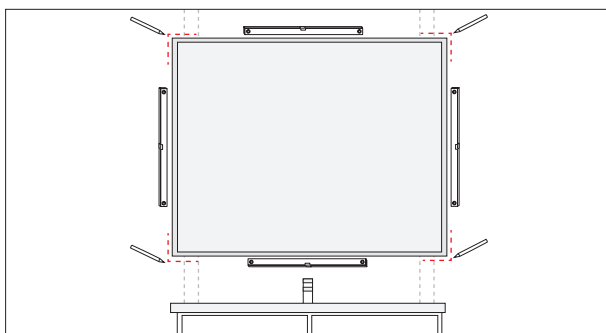
posh

Domaine Shelf Shaving Cabinet

MIRRORED SHAVING CABINET INSTALLATION

Note: If you are installing a light or powerpoint with your mirrored shaving cabinet make sure you consult with your electrician before installing.

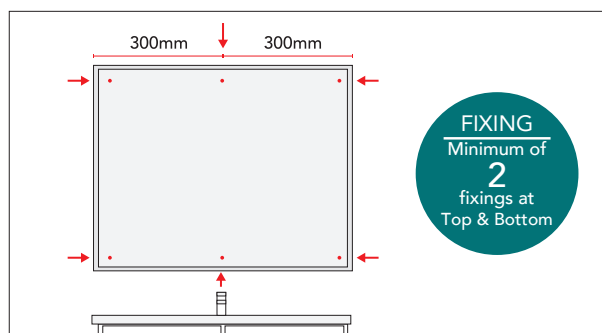
1. POSITION CABINET & LEVEL



1. Place cabinet on flat surface to remove mirrored doors. Remove doors and place flat on soft surface with mirrors facing up to avoid damages.
2. Locate support beams and position unit in desired location and check all sides are sitting level.
3. Mark the position of the cabinet on all four corners of cabinet

Note: Damage during installation is not covered under ADP warranty.

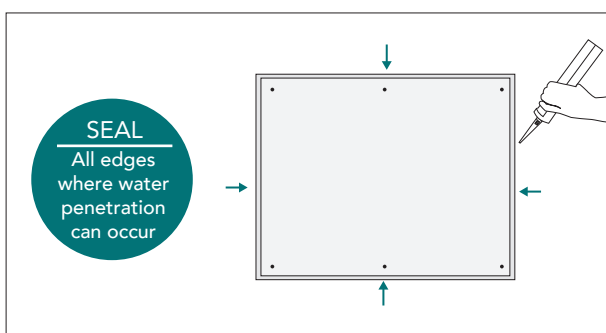
2. SECURING THE CABINET



Securely fasten cabinet to the wall through back with appropriate screws/bolts at TOP and BOTTOM of cabinet. Evenly space apart the horizontal fixings at a maximum of 300mm apart.

Note: Where a stud or support beam cannot be located, use an appropriately sized hollow wall anchor.

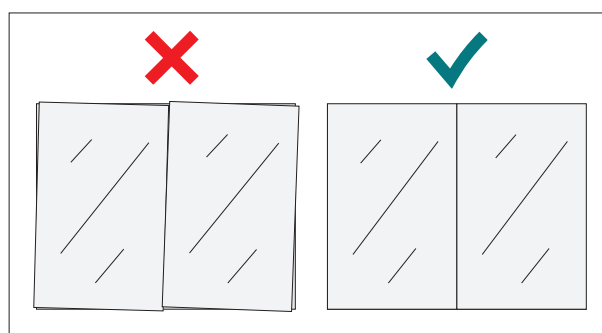
3. SEALING



Apply non-acidic silicone to all edges where cabinet meets the wall.

Note: Gap sealant can be used in place of silicone where the unit meets tiled surfaces.

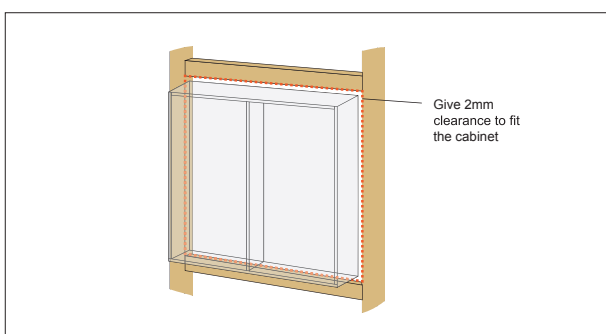
4. ADJUST DOORS



Install doors back onto cabinet and make adjustments to align the doors correctly. See pages 13 for instructions.

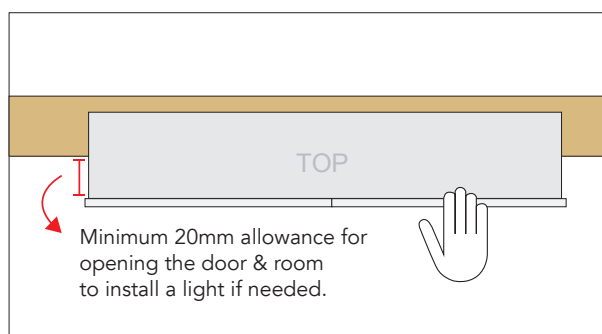
NOTE: IT IS THE RESPONSIBILITY OF THE INSTALLER TO MAKE ANY ADJUSTMENTS TO DOORS AFTER INSTALLATION.

OPTION: WHEN RECESSING A MIRRORED SHAVING CABINET



Complete Step 1, cut a hole 4mm bigger than the overall cabinet carcass in the wall. Position and secure cabinet in cut out, go to Step 2.

Note: Make sure the hole has sufficient noggings to fix top and bottom of carcass.



Ensure the cabinet carcass protrudes by a minimum of 20mm from the wall (including tiles) to allow for finger pull on the door.

Plumbers, please ensure a copy of the installation instructions is left with the end user for future reference

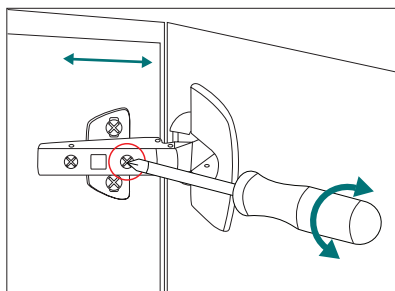
posh

Domaine Shelf Shaving Cabinet



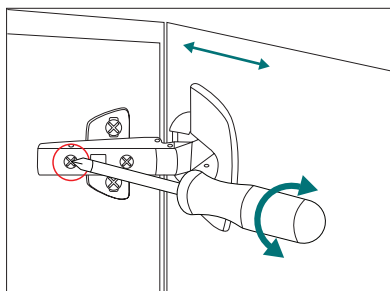
DOOR HINGE ALIGNMENT

SIDE ADJUSTMENT



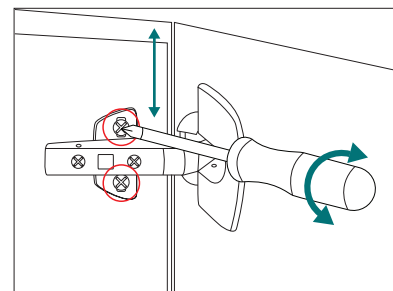
Use front screw to move door to the left or right, or to level each door.

DEPTH ADJUSTMENT



Use back screw to move door inward or outward from carcass.

HEIGHT ADJUSTMENT

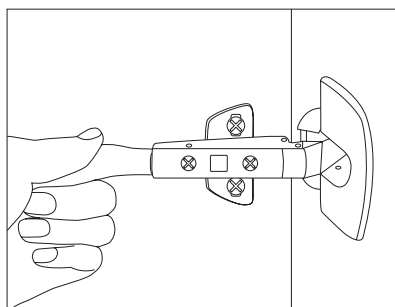


Loosen the top and bottom screw on mount plate, adjust door height by moving door up or down, then retighten screws.



DOOR HINGE INSTALLATION

REMOVING & INSTALLING DOORS



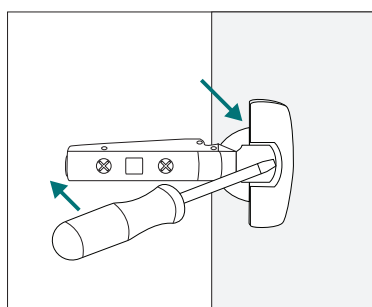
TO REMOVE DOORS:

Apply finger pressure to clip at back of hinge and pull forward to release.

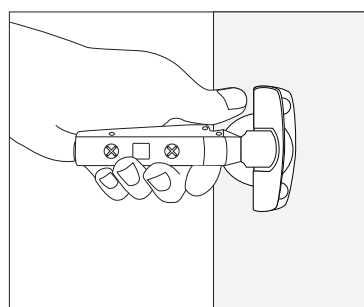
TO INSTALL DOORS:

Align door hinge with hinge mount on carcass, press back of hinge into place and listen for a 'click' to lock the hinge in place. You may need to apply a little force to lock the hinge in place.

REMOVING HINGE FROM DOOR

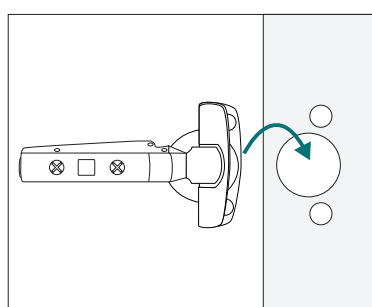


Once you have removed door from the cabinet, using a flat head screw driver, lift and release the top cover plate.

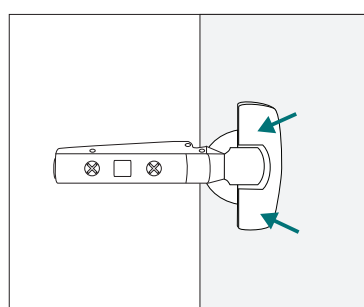


Pull hinge up and out from door. You may need to wiggle the hinge to loosen and use a little force.

REPLACING HINGE ON DOOR



With top cover plate lifted, place hinge into position on door and insert into holes until flush.



Once secured in position, click cover plate down to lock into place.

Plumbers, please ensure a copy of the installation instructions is left with the end user for future reference



Domaine Shelf Shaving Cabinet



CARE & MAINTENANCE

If you cannot identify basin, top or cabinet material of your product, contact your merchant or see product information at www.adpaustralia.com.au.

TIPS

- ADP products are produced from materials that are well suited to the bathroom, however it is important that your bathroom has sufficient ventilation to avoid excessive moisture. High humidity will lead to permanent dampness and mould, resulting in deterioration of the materials.
- Care must always be taken to dry any excessive moisture or water spillage.

CABINETS

- To maintain the finish on your cabinet use only a soft cloth and weak solution of non abrasive detergent.
- To remove scratches, marks, etc. on two pack polyurethane, rub gently with car cutting compound, car polish or household brass/silver cleaner.
- Goods used in construction are water/moisture-resistant, but not water-proof.
- All cabinets should be installed at least 300mm away from showers or bathtubs to avoid water damage.

MIRRORS

FOR BEST RESULTS - use a slightly moistened microfibre cloth to remove dry dirt or grime, then buff clean with dry microfibre cloth or use a soft dry cloth with a tight weave (which is more soft and non-abrasive). This will leave you with a clean, smear-free finish. By using alkaline (ammonia) or acid (vinegar) based products you not only risk damaging the silvered backing of the mirror, but also tend to leave behind streaks and smears.

DO NOT use ammonia-based cleaning products such as glass cleaner. These may erode the mirror's silver backing. Be sure to read the label of any such cleaning products before use.

PROTECTION AGAINST 'BLACK-SPOTTING' - Alkaline, acid and moisture elements can cause the silvered backing of a mirror to darken, this is usually referred to as 'black-spotting'. An easy way to protect your mirror against black-spotting is to regularly oil any exposed edges (i.e. polished or bevelled edges), using non-petroleum based oils (eg. sewing machine oil). This will act as a seal to protect against such elements. Always remember to keep your mirror dry and wipe off any water, moisture or steam.