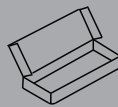
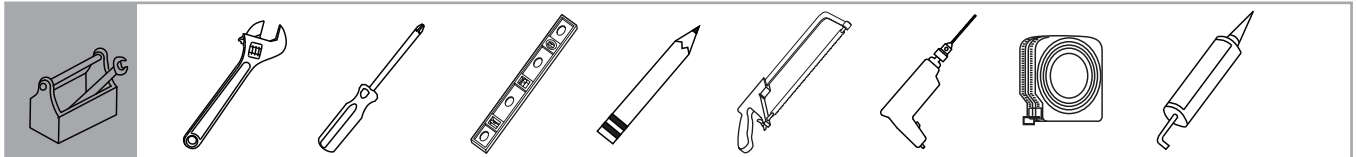
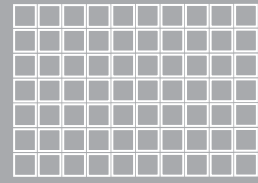


# Signature Back To Wall Pan

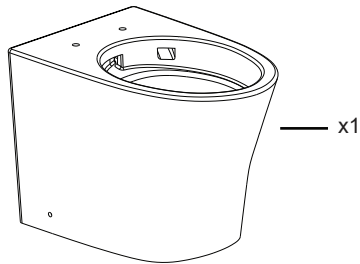
## CCAS3141



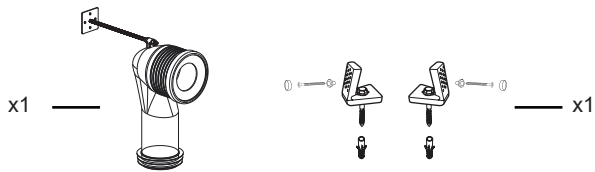
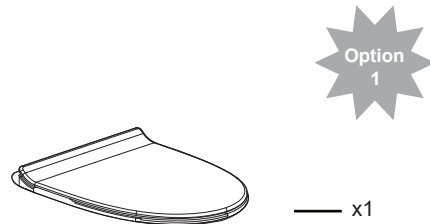
American Standard



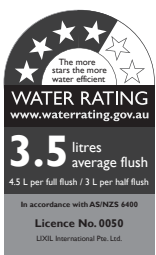
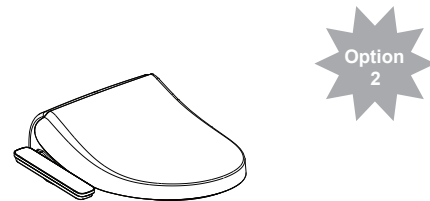
CCAS3141-  
3W20411R0



CL6155M-  
6D

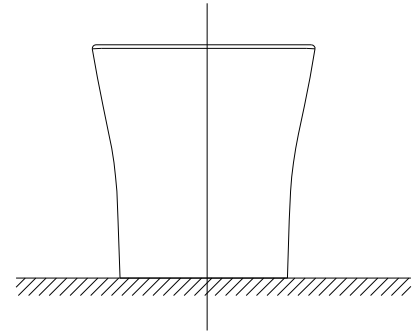
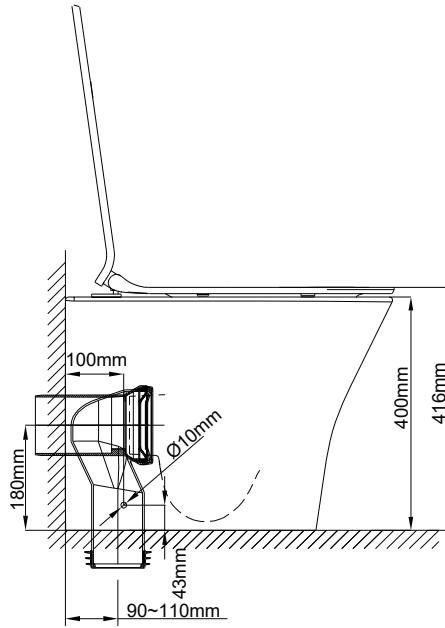
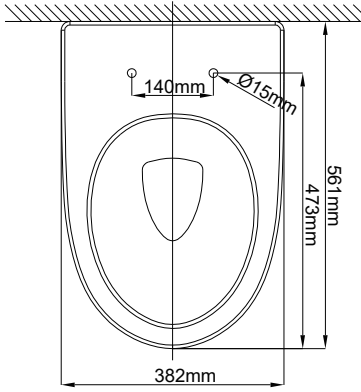


CEAS7SS1-  
0100510R0

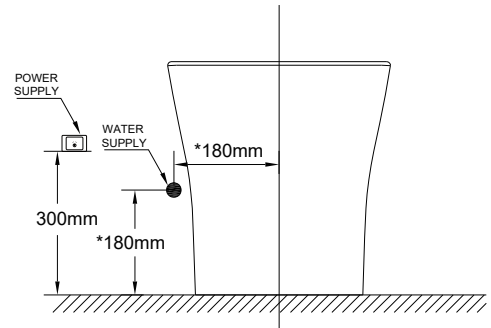
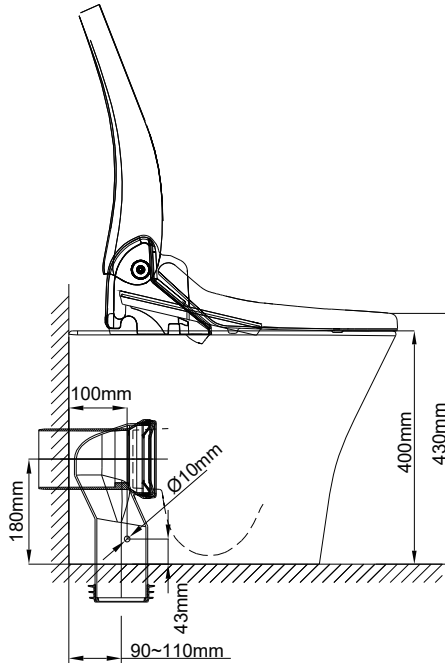
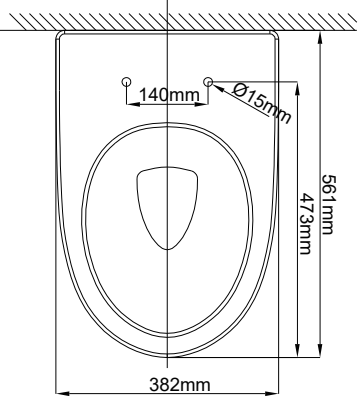


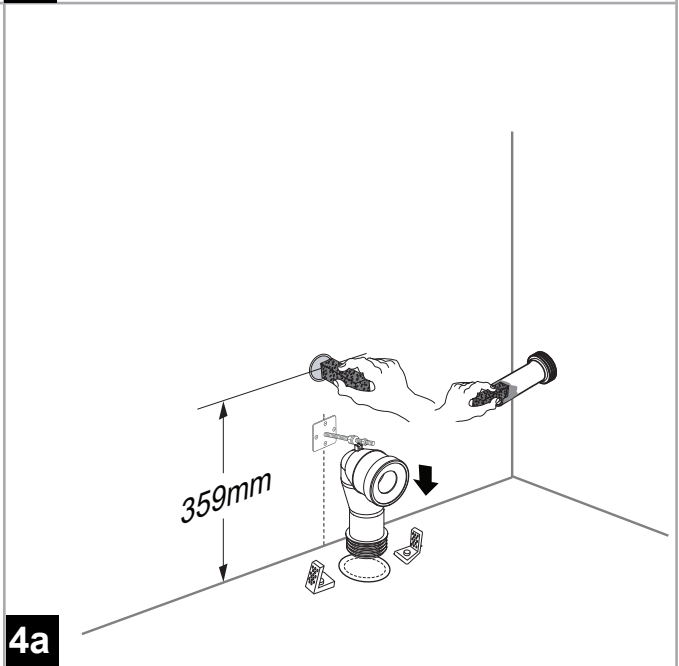
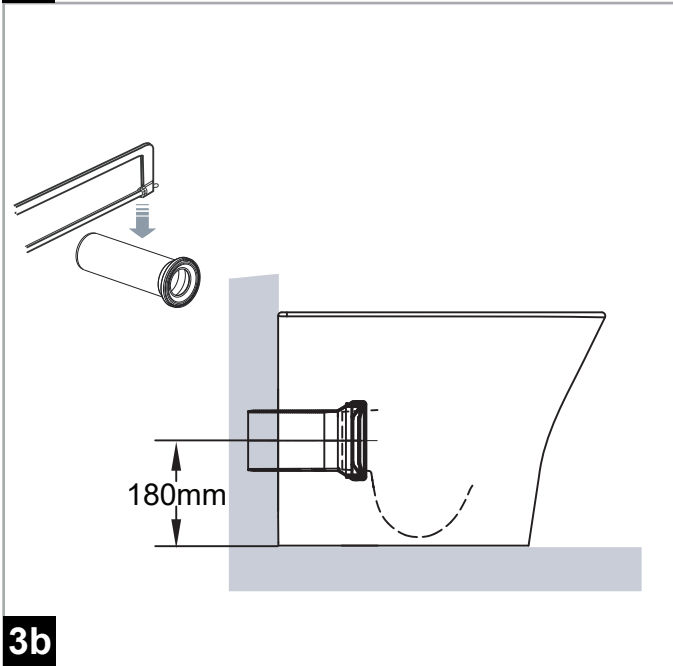
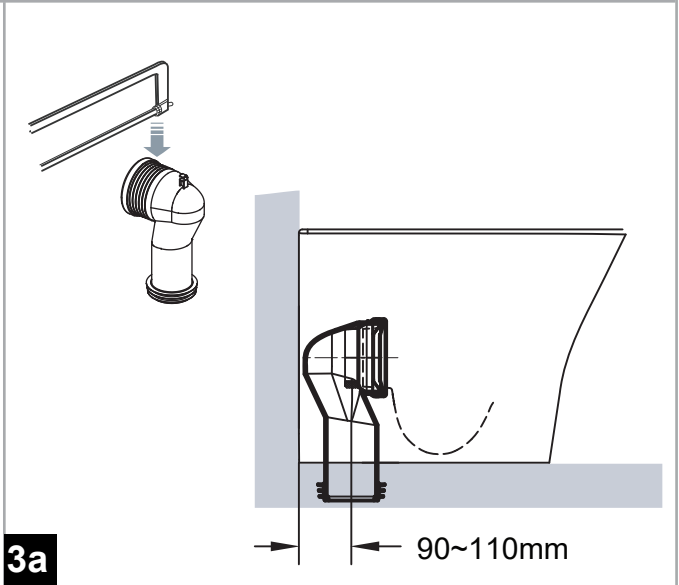
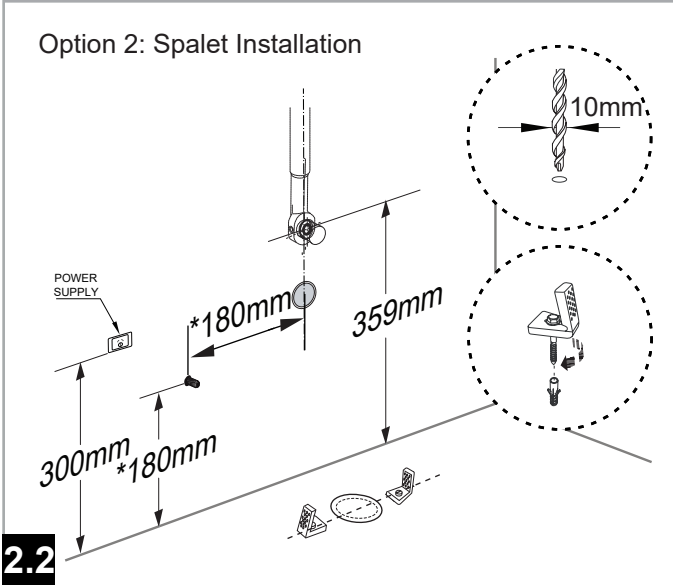
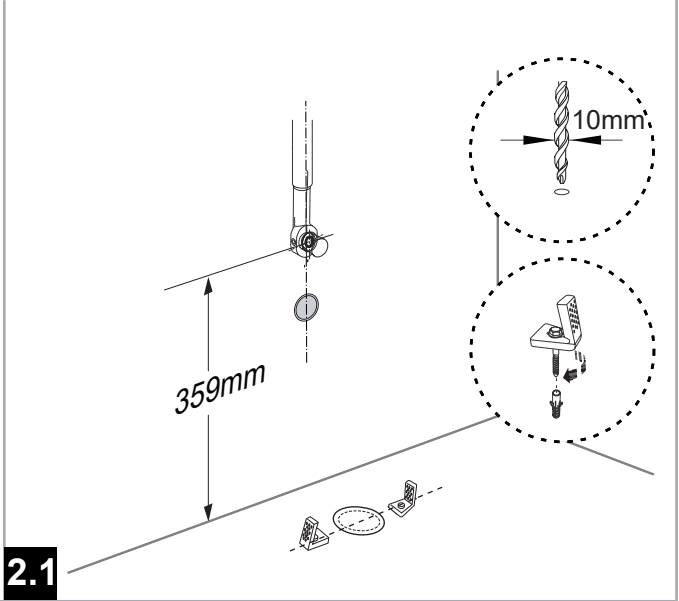
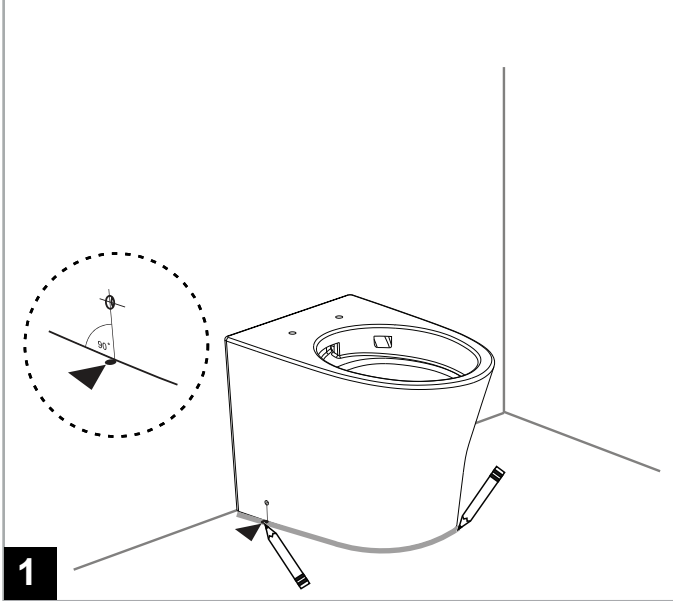


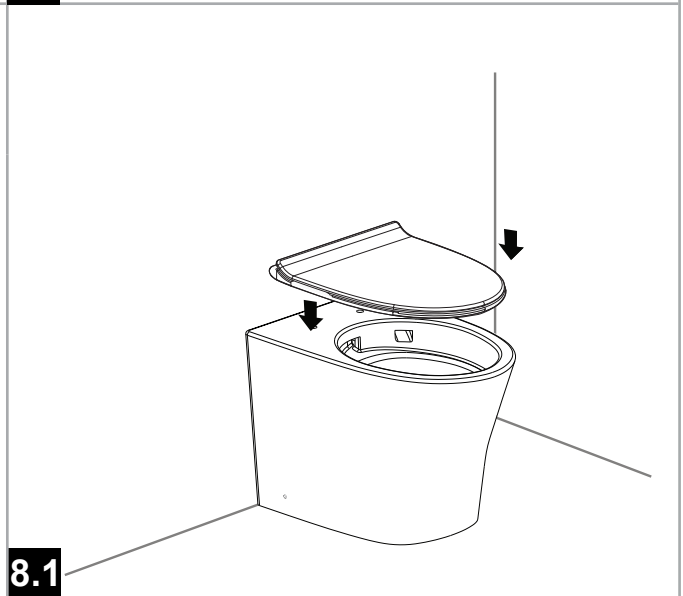
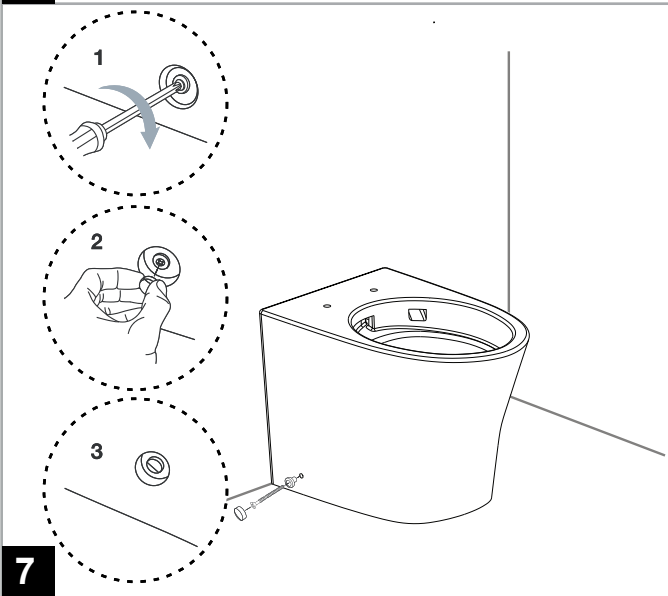
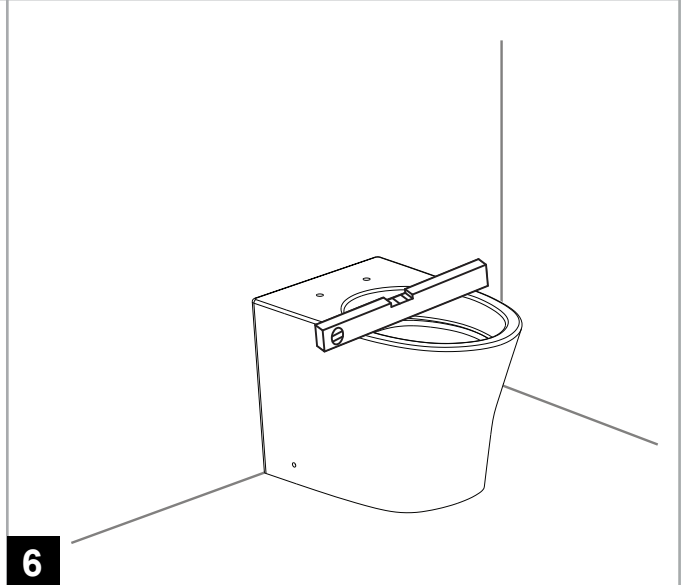
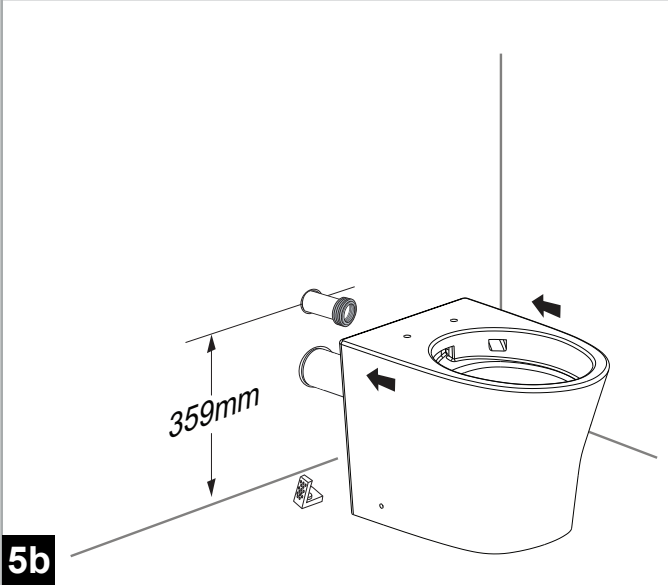
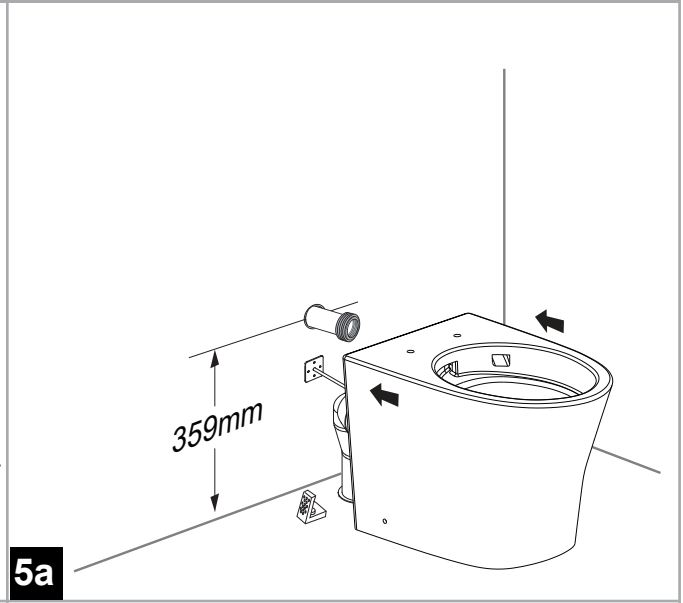
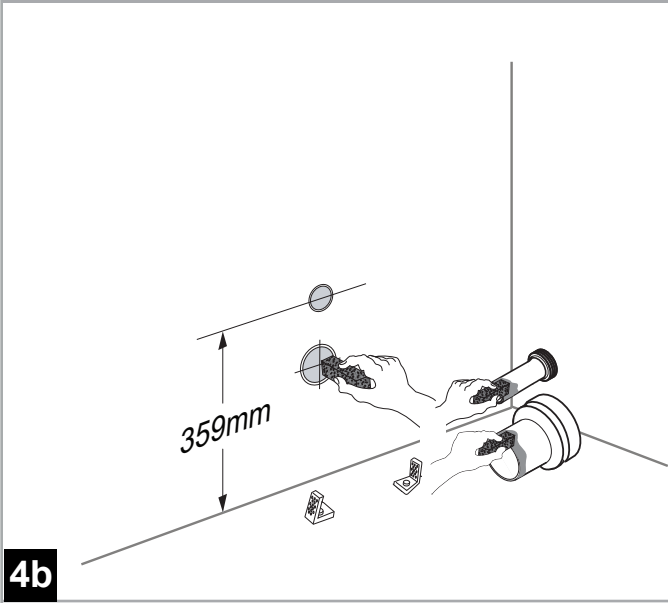
w/ normal S&C

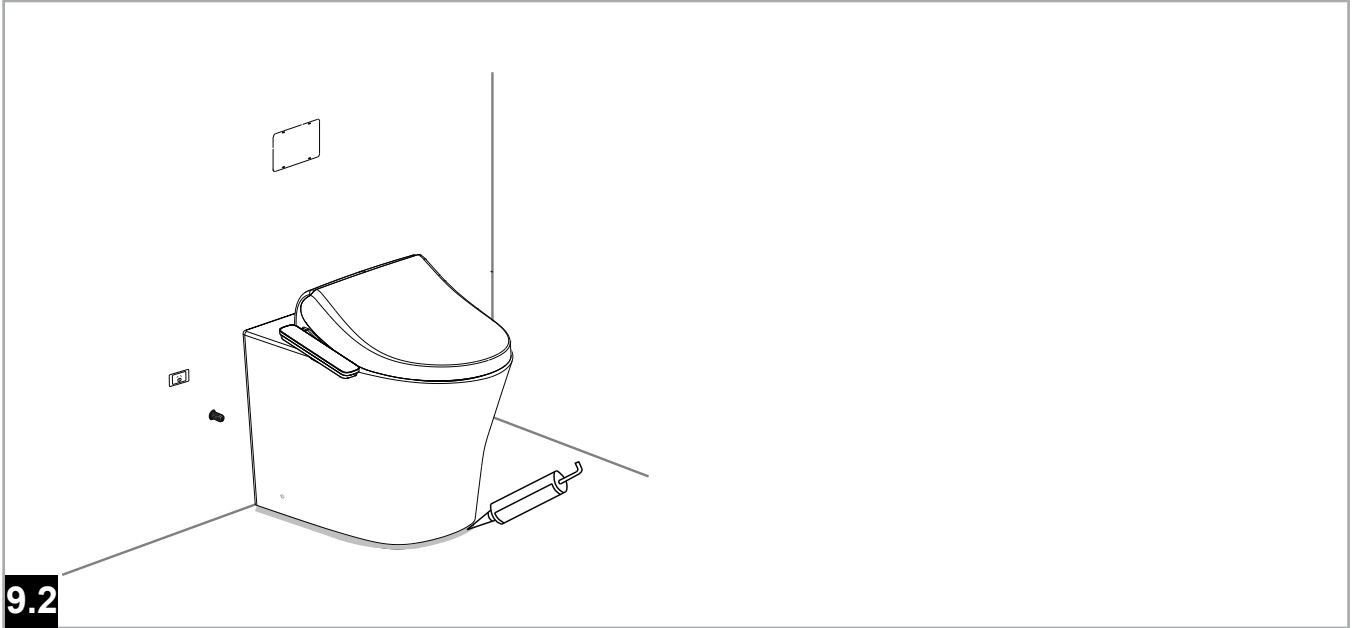
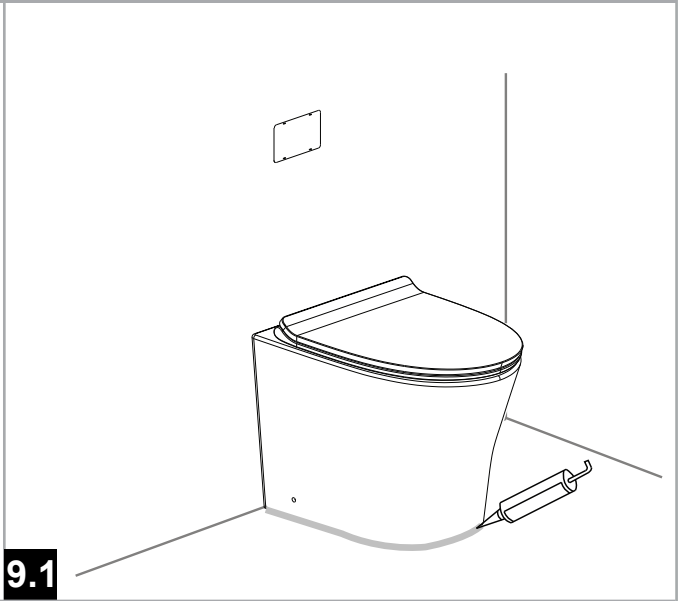
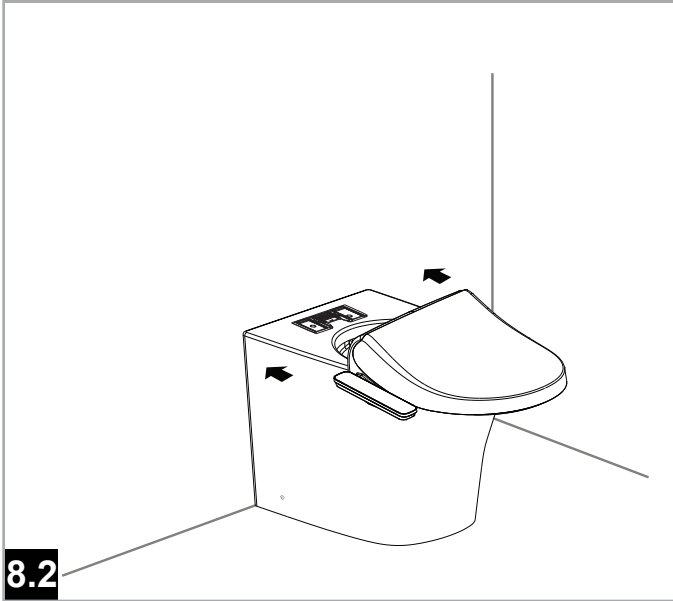


w/ Spalet E-bidet









Installation shall be accordance with AS/NZS3500.1 and AS/NZS3500.2.