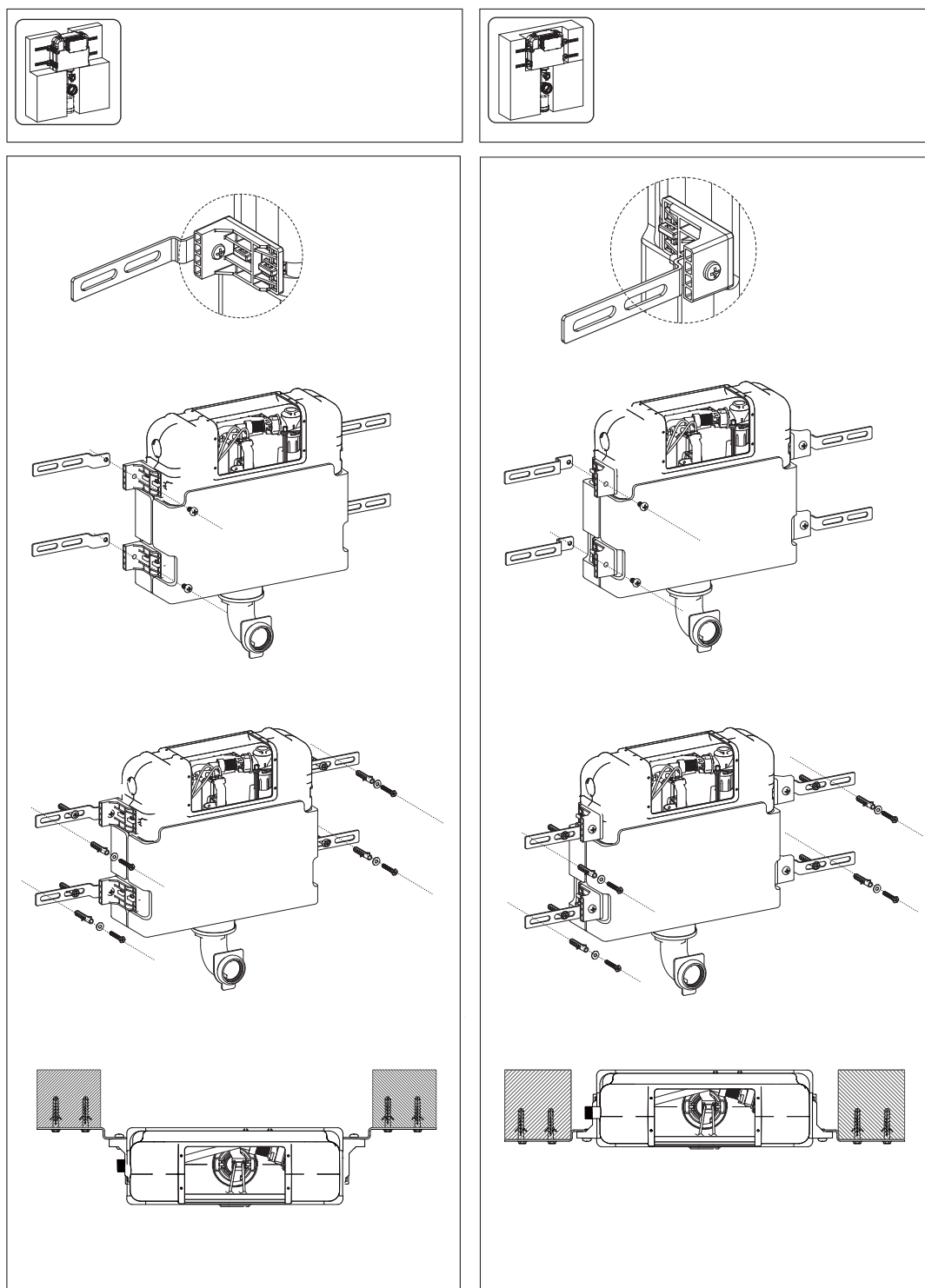


HIDEAWAY PLUS

UNDERCOUNTER CISTERN (BACK TO WALL PAN)

INSTALLATION INSTRUCTIONS

Please note: For dimensions from finished floor level to pan inlet and outlet, refer to your pan specifications.



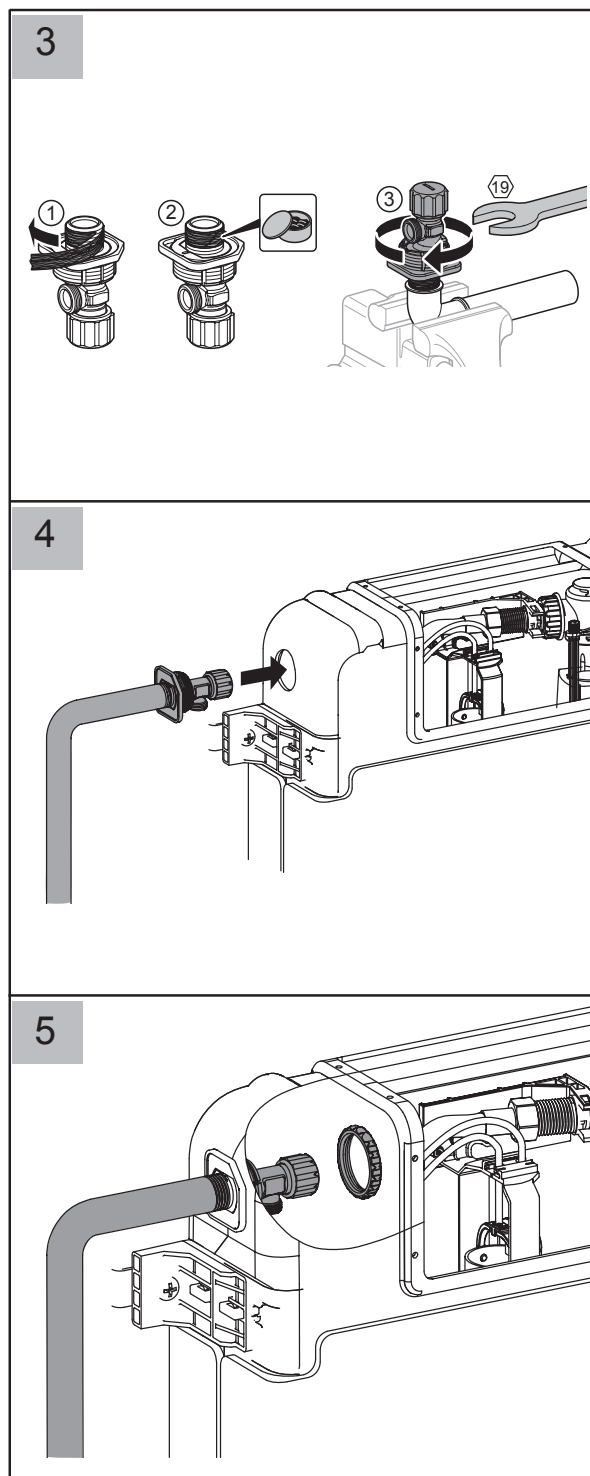
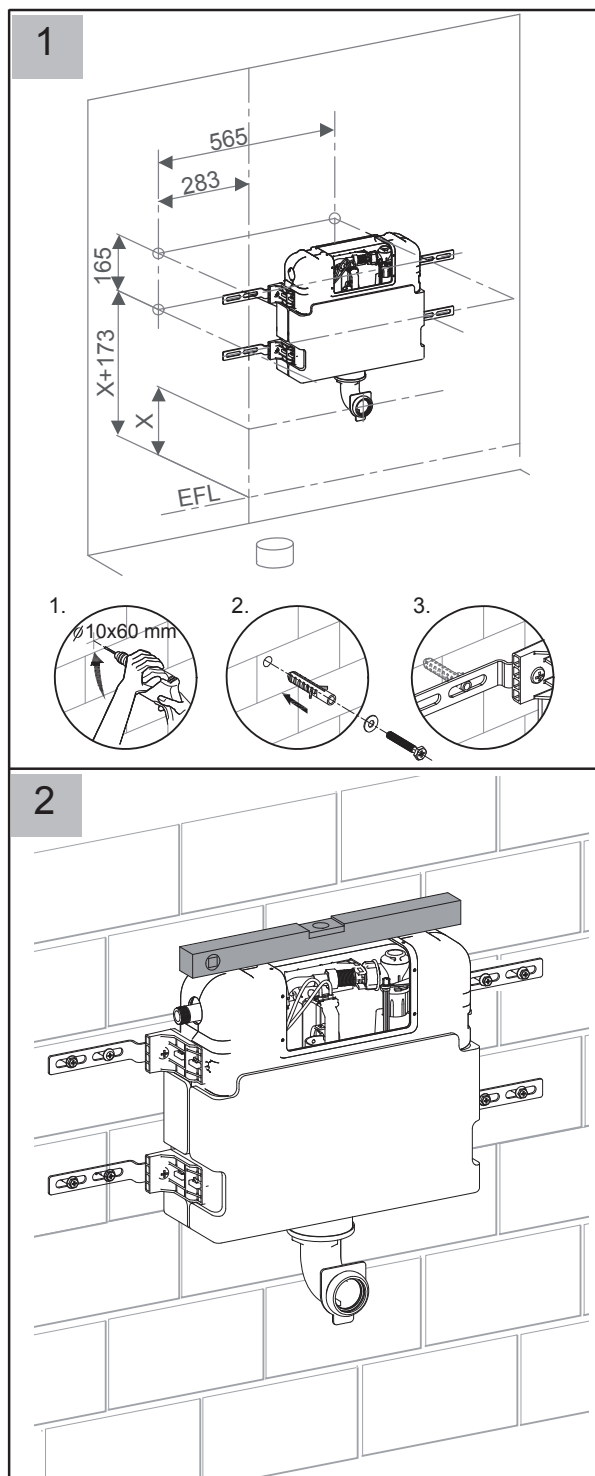
Note:

For timber stud walls use screws supplied with PH3 driver bit and $\varnothing 4\text{mm}$ pilot hole required.

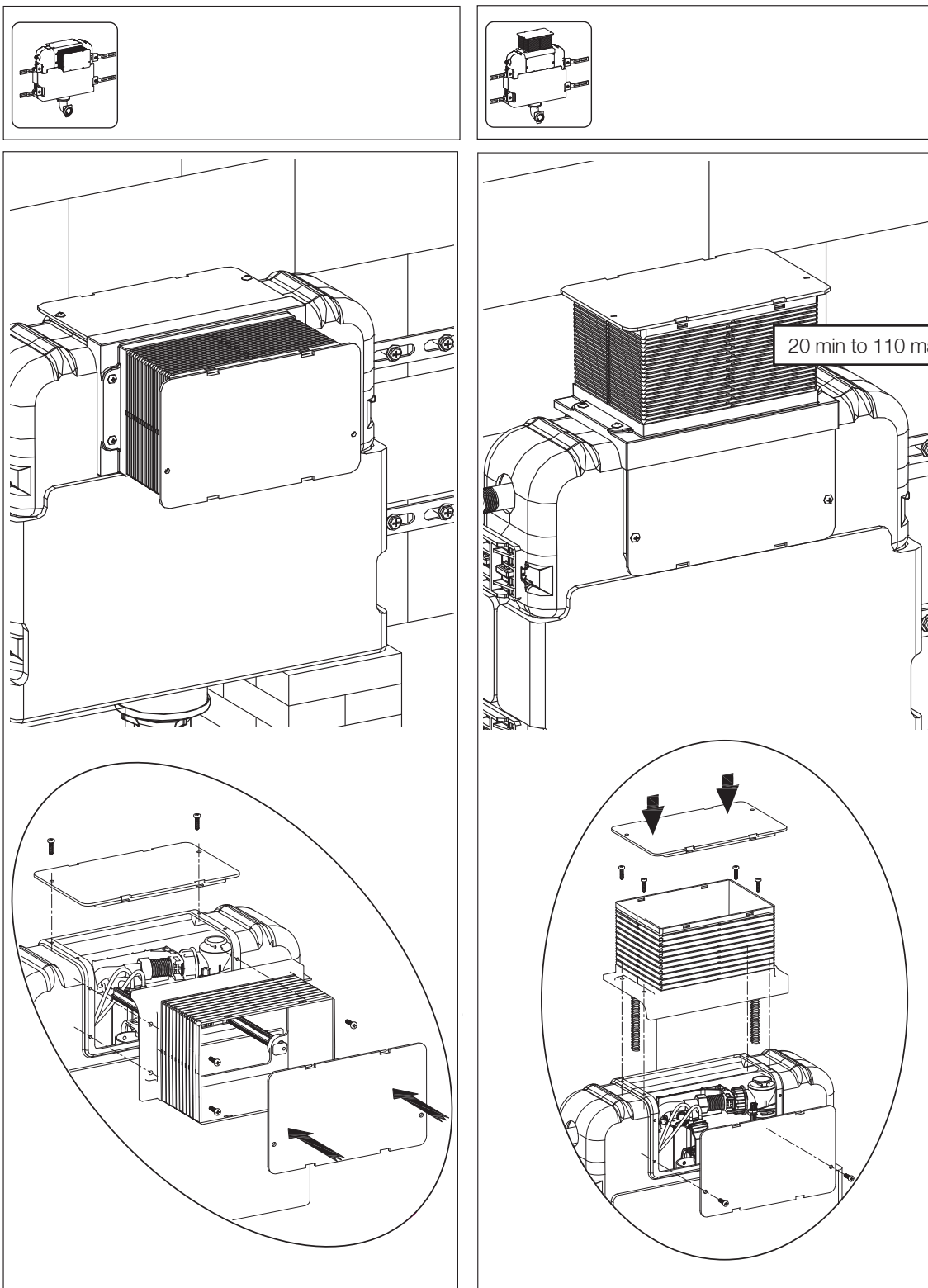
Plumbers, please ensure a copy of the installation instructions is left with the end user for future reference

HIDEAWAY PLUS

UNDERCOUNTER CISTERN (BACK TO WALL PAN)



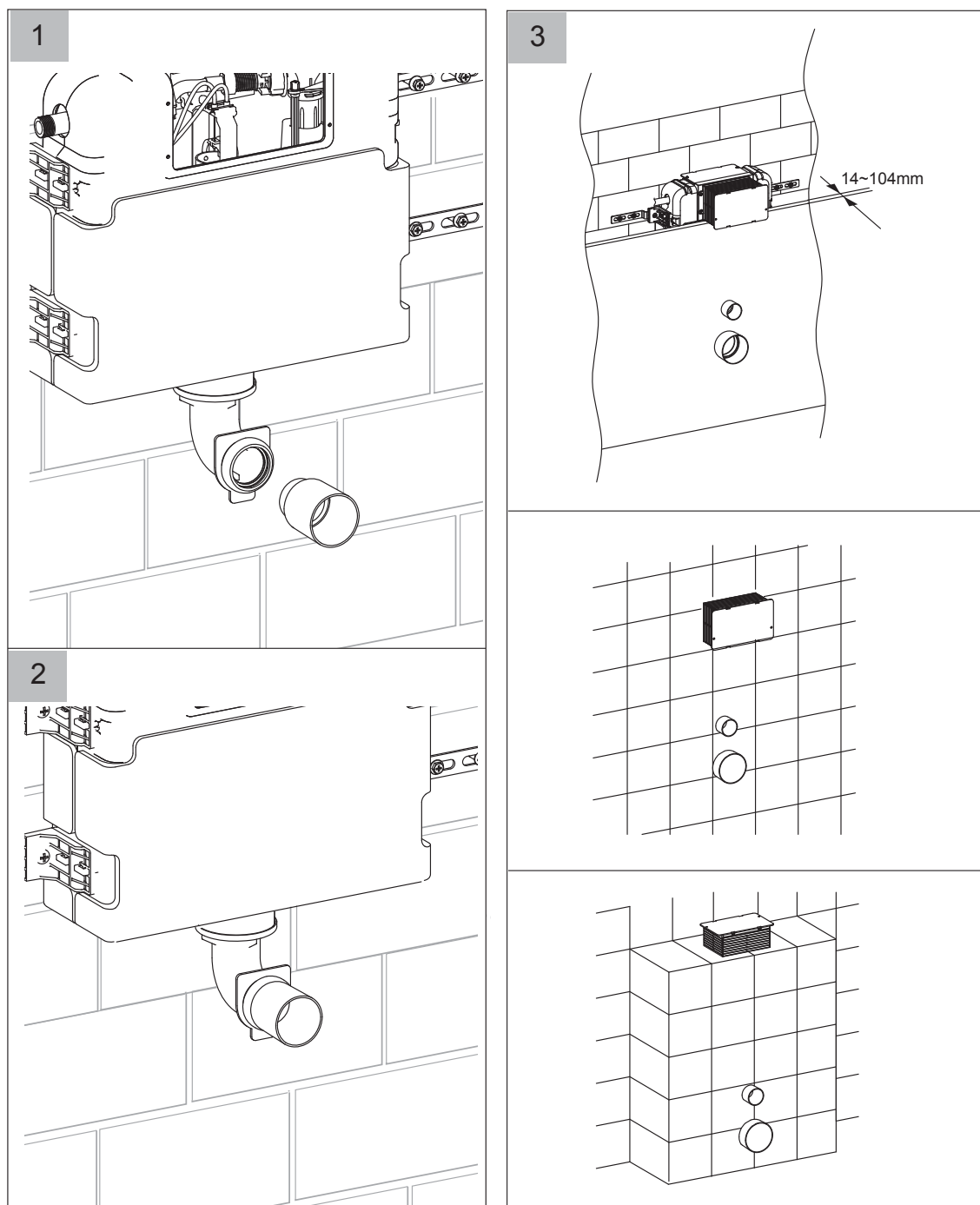
HIDEAWAY PLUS UNDERCOUNTER CISTERN (BACK TO WALL PAN)



Plumbers, please ensure a copy of the installation instructions is left with the end user for future reference

HIDEAWAY PLUS

UNDERCOUNTER CISTERN (BACK TO WALL PAN)



For button installation, refer to individual button instructions

HIDEAWAY PLUS UNDERCOUNTER CISTERN (BACK TO WALL PAN)

Note: Refer to installation instructions for your selected pan

