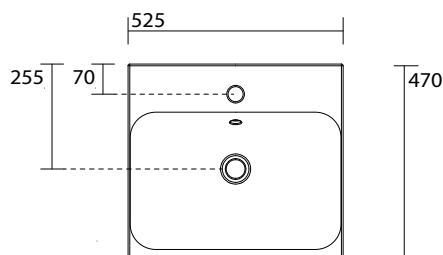
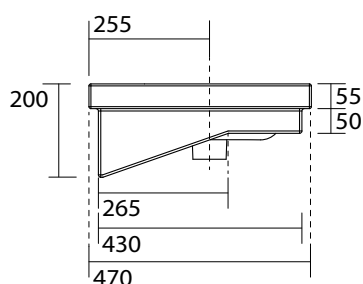


AXA

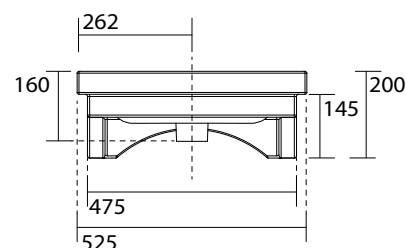
CENTO SEMI INSET BASIN



TOP VIEW



SIDE VIEW



FRONT VIEW

Dimensions are nominal measurements only.

SPECIFICATIONS

Recommended use	Domestic, hotel and commercial
Material	Fine Fire Clay
Colour	White
Capacity	5.5 Litres
Weight	15kg
Taphole availability	0 and 1 Taphole
Integrated overflow	Yes
Overflow dress ring	Yes (Chrome only)
Plug and waste	32x40 Overflow Waste (Not supplied)
Additional Information	Cut out templates supplied



To see the complete AXA range go to www.reece.com.au/bathrooms

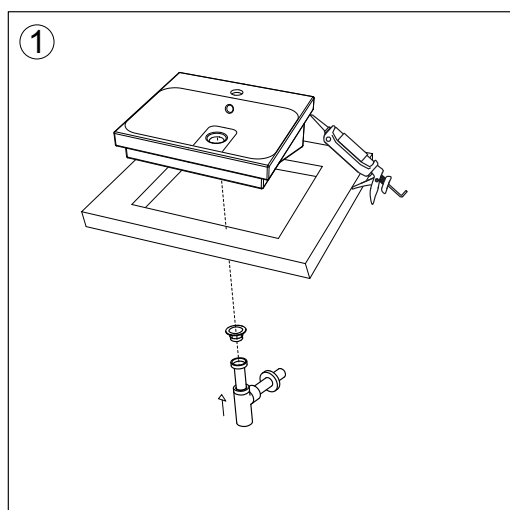
CLEANING RECOMMENDATIONS

We recommend the use of soapy water or approved cleaners.

This product should not be cleaned with abrasive materials.

Damage caused by any improper treatment is not covered by the product warranty. Refer to Warranty Conditions.

INSTALLATION INSTRUCTIONS



1. Cut out hole in benchtop
2. Fit waste to basin.
3. Apply flexible sealant to underside of basin.
4. Align basin over precut hole.
5. Press down firmly and evenly.
6. Remove excess sealant.

Disclaimer: Products in this specification manual must by regulation be installed by licensed and registered trade people. The manufacturer/distributor reserves the right to vary specifications or delete models from their range without prior notification. Dimensions are nominal measurements only. Dimensions and set-outs listed are correct at time of publication however the manufacturer/distributor takes no responsibility for printing errors.

Tech Page Version 1