

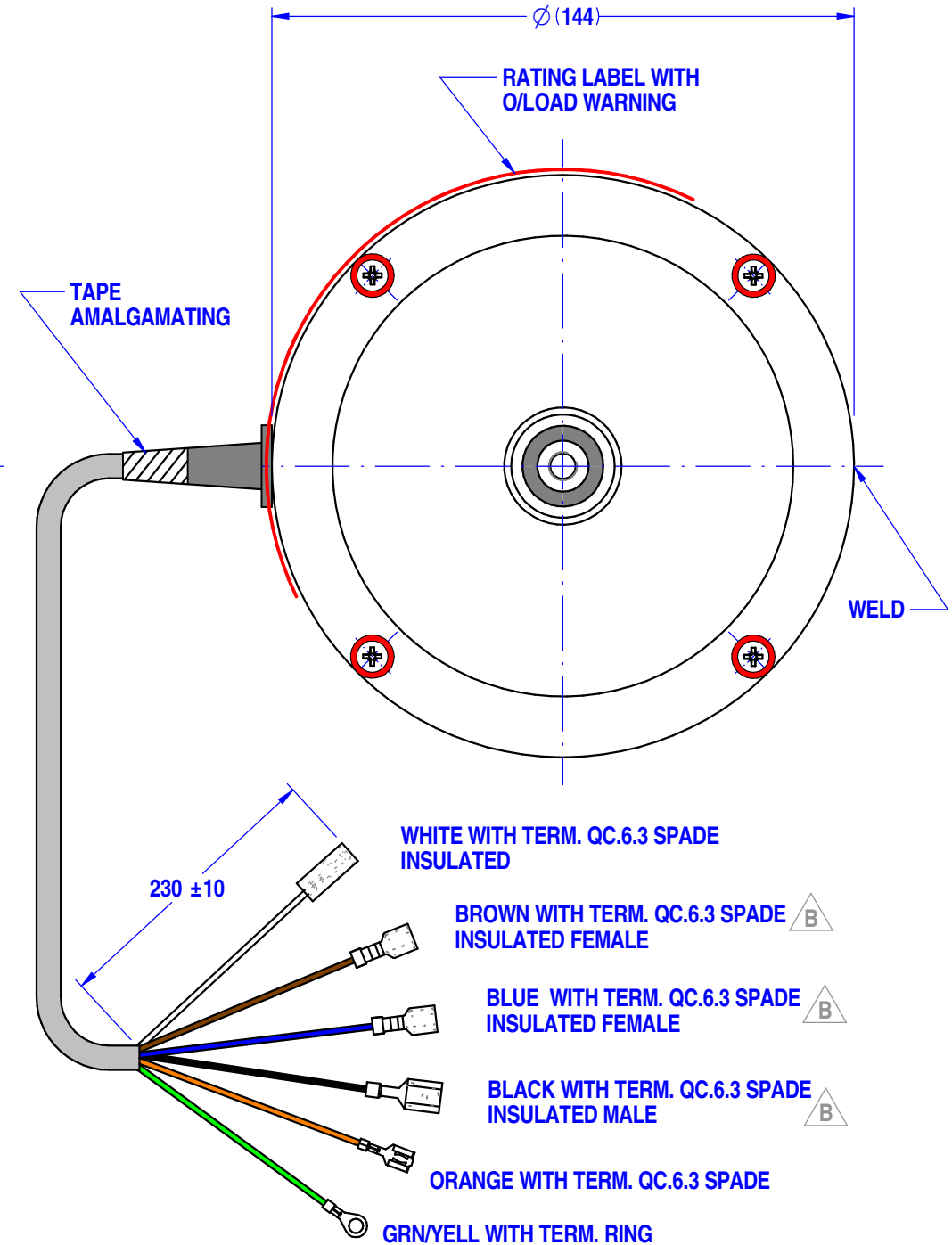
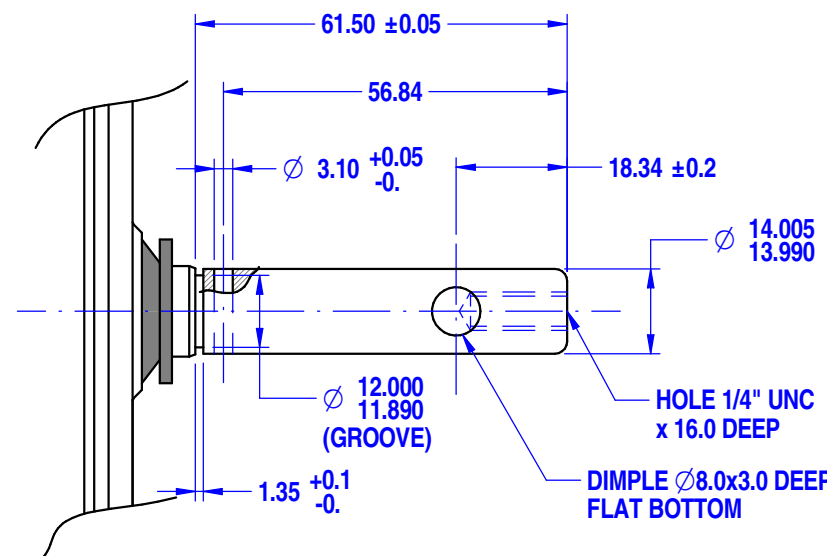
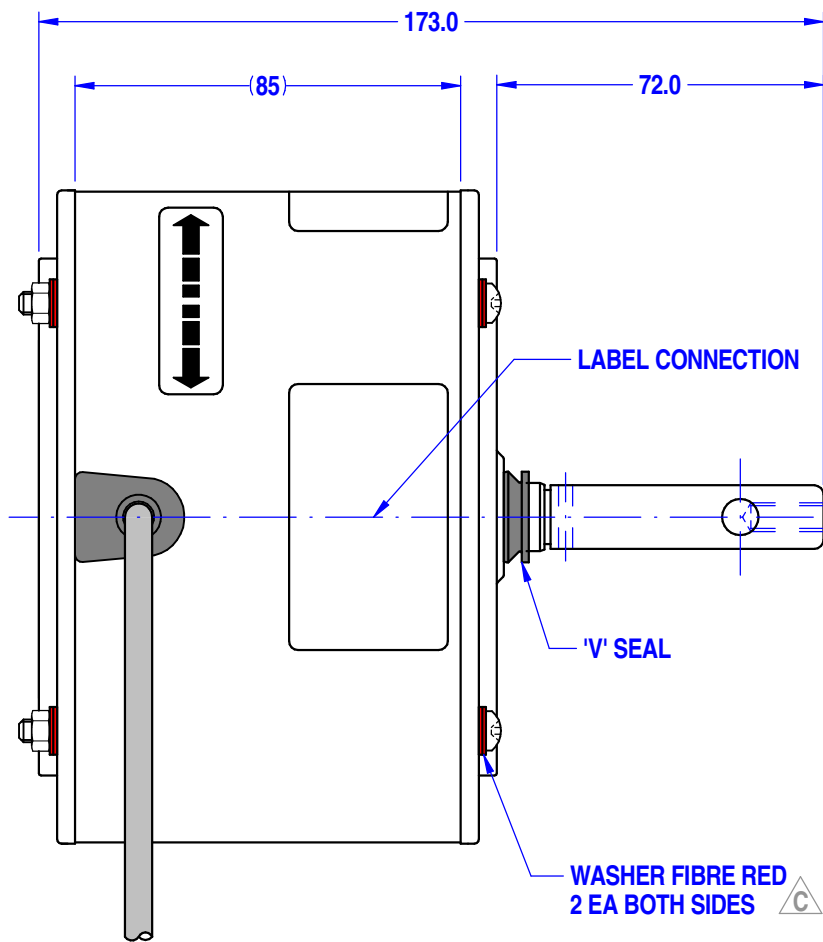
MOTOR SPECIFICATION

8061S077-02S

Q.R. No.	-	CUSTOMER NO.	450-102-0074					
CUSTOMER	EMAIL AIR							
MOTOR RATING	VOLTS	240	Hz	50	Ph	1	Duty	S1 A.O.M.
	MAX. INPUT	920			0.75 AMPS			
	NOM. OUTPUT	60 WATTS						
ROTATION	REVERSIBLE							
CAPACITOR	START	-----	μF/V	RUN	2/440 μF/V			
ENCLOSURE	TOTALLY ENCLOSED (IP 5X)							
MOTOR TYPE	CSR		INSULATION CLASS	B130				
THERMAL PROTECTION	AUTO RESET OVERLOAD							
APPLICATION	FAN - SHAFT HORIZONTAL							
BEARING D.E.	6202.ZZ		LUBRICATION	LONG LIFE, WIDE RANGE				
BEARING N.D.E.	6202.ZZ							
SUPPLY LEAD	FLEX 2430 ±30 GREY							
EARTH PROVISION	VIA SUPPLY LEAD							
BASIC BUILD SPECIFICATION	305-570-05		PAINT/ COLOUR	PC GREY CASE PLAIN E/SHIELDS				
PERFORMANCE SPECIFICATION	SP85020-02							
CONNECTION DIAGRAM	393-333-02		RATING LABEL	SSTDAUTO.FMT				

FINAL INSPECTED MOTORS MUST COMPLY WITH ELECTRIC MOTOR VIBRATION SPECIFICATION (ES049)

THIRD ANGLE PROJECTION



FASCO DESIGNED AND MANUFACTURED TO AUSTRALIAN STANDARDS & SPECIFICATIONS

CUST.450-102-0074 ddmmyyxxxx
MODEL 8061S077-02S

VOLTS 240	R.P.M. 920	CLASS B130	Hz 50
WATTS 85	TYPE CSR	μF/V S NIL	Ph 1
AMPS 0.75	DUTY S1 AOM	μF/V R 2/440	PROT. AUTO

WARNING MOTOR FITTED WITH INTERNAL AUTO RESET OVERLOAD AND MAY RESTART WITHOUT WARNING

SPECIAL REQUIREMENTS:

- 1)_WEATHERPROOF MOTORS TO ES050, ITEMS 1,2,4,5,6
- 2)_ROLLPIN SUPPLIED BY CUSTOMER & FITTED AS REQ.
- 3)_WASHER FIBRE (P708271x2EA) ASSEMBLED TO TIE ROD EACH ENDS.
- 4)_CAPACITOR SUPPLIED BY CUSTOMER.
- 5)_MOTOR TO BE PACKED IN SINGLE CARTON.

UNLESS OTHERWISE SPECIFIED : DIMENSIONS ARE IN MM. TOLERANCES

DECIMALS	ANGULAR
.X ± 1.0	± 30'
.XX ± 0.1	

THIS DRAWING REMAINS THE PROPERTY OF FASCO MOTORS AND MAY NOT BE USED, COPIED OR ISSUED WITHOUT WRITTEN PERMISSION FROM FASCO MOTORS

MOTOR WEIGHT	4.2 kg.	
DRAWN	muntana	14/07/2006
CHECKED	Pipat	27/10/2018
RELEASED	Kanapote	01/11/2018
SCALE	N.T.S.	

FASCO THAILAND
29/7-8 MOO 3, BANGKRUAY - SAINOI Rd.,
BANGKRANG, MUANG NONTABURI DISTRICT,
NONTABURI 11000 THAILAND

FRAME	MOTOR	
STATUS	R	
SHEET	B020:8556T-060-XCD:EMAIR	
	DWG. NO.	REVISION
A3	8061S077-02S	D