



Compressor
Voltage Code : TZ

TAG5573E

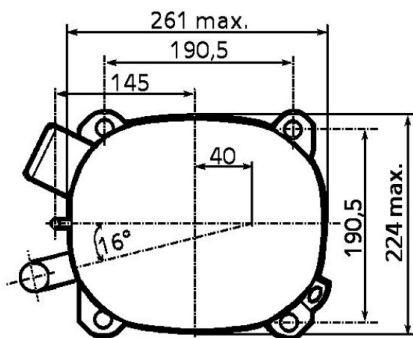
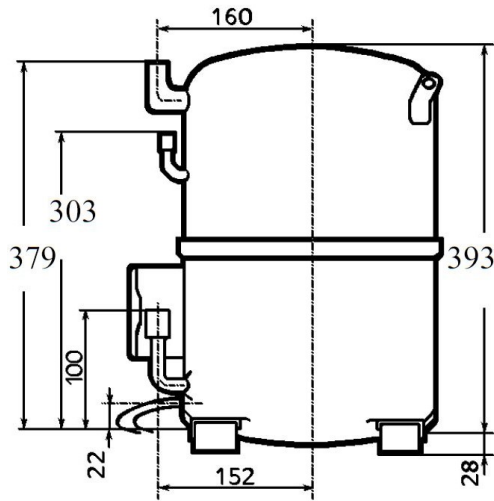
Air Conditioning & Heating (CA)

400V 3~ 50Hz / 440V 3~ 60 Hz

R22

AGB5573ETZ

Conditions	Frequency	Nominal Cooling Capacity		Sound Power ISO3745 / ISO 3743-1
		Watts	BTU/h	
EN12900 / R22	50 Hz / 60 Hz	16223 / 19093	55320 / 65107	75 dBA



Displacement (cc)	134.8
Net Weight (Kg)	46.0
Oil Quantity (cc)	1760.0
Oil Type	Mineral
Expansion Device	Capillary_Tube/Expansion_Valve
Cooling	Fan
Main Winding (Ohm)	2.2
Current	
RLA (A)	11 11.8
MCC (A)	18 18
LRA (A)	56 61
Electrical Equipment	TRI
Overload	Interne
Refrigerating connection for OD	
Suction Tube	22.2 (7/8")
Discharge Tube	12.7 (1/2")
Process Tube	6.35 (1/4")

* EN12900 : T°Cond. 50.0°C / T°Evap. 5.0°C / T°Superheat. 10.0°C
T°Subcooling. 0.0K

Certificates :



Note : Tecumseh reserves the right to change information contained in this document without notification.



Tecumseh

TAG5573E	Tension TZ : 400V 3~ 50Hz / 440V 3~ 60 Hz
-----------------	--

Les performances sont données dans les conditions EN12900 :	Surchauffe :	10.0 K
Condition Dew	Sous refroidissement :	0.0 K
The performance data are in EN12900 conditions :	Superheat :	10.0 K
Dew Condition	Subcooling :	0.0 K

50 Hz R22											
											N°337LL-T
4 T condensation	5 T évaporation	(°C)	-25	-20	-15	-10	-5	0	5	10	15
40	1 P frigorifique	(Watt)				9592	12149	15379	19282	23860	29113
	2 P absorbée	(W)				4421	4815	5208	5600	5991	6381
	3 I absorbée	(A)				7.93	8.52	9.12	9.73	10.3	11.0
50	1 P frigorifique	(Watt)					9952	12786	16223	20265	24912
	2 P absorbée	(W)					5087	5626	6159	6683	7201
	3 I absorbée	(A)					8.81	9.66	10.5	11.4	12.2
60	1 P frigorifique	(Watt)						10309	13292	16808	20861
	2 P absorbée	(W)						6048	6719	7377	8021
	3 I absorbée	(A)						10.2	11.3	12.4	13.5

60 Hz R22											
											N°337LL-T
4 T condensation	5 T évaporation	(°C)	-25	-20	-15	-10	-5	0	5	10	15
40	1 P frigorifique	(Watt)				11398	14396	18161	22695	28000	34075
	2 P absorbée	(W)				5335	5847	6394	6976	7592	8243
	3 I absorbée	(A)				8.56	9.20	9.95	10.8	11.8	12.8
50	1 P frigorifique	(Watt)					11792	15098	19093	23779	29156
	2 P absorbée	(W)					6176	6908	7672	8469	9299
	3 I absorbée	(A)					9.51	10.5	11.7	12.9	14.3
60	1 P frigorifique	(Watt)						12170	15640	19720	24412
	2 P absorbée	(W)						7425	8370	9347	10355
	3 I absorbée	(A)						11.1	12.5	14.1	15.8

1 = cooling capacity 2 = power input 3 = current 4 = condensing temperature 5 = evaporating temperature

Nota : Tecumseh se réserve le droit de modifier les informations contenues dans ce document sans préavis.
Note : Tecumseh reserves the right to change information contained in this document without notification.

© 2020 Tecumseh Products Company
All rights reserved