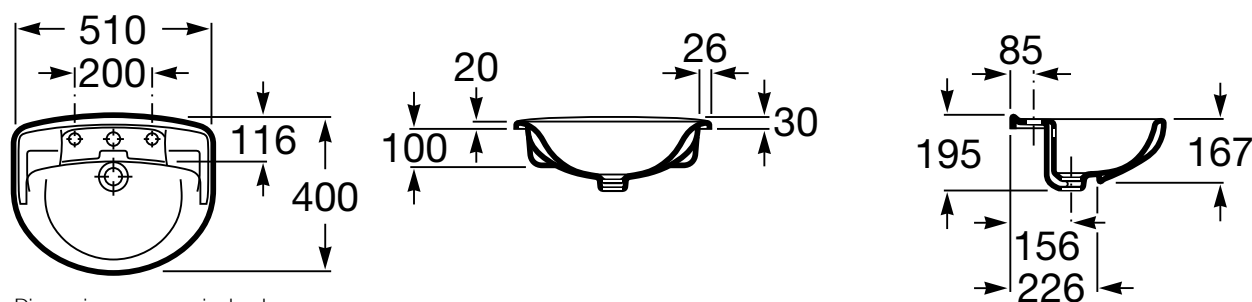


ROCA

VICTORIA SEMI RECESSED BASIN



Dimensions are nominal only

SPECIFICATION

Fixing Requirements	Fixing clips supplied
Integral Overflow	Yes
Tap Hole Availability	1 or 3 tapholes
Plug & Waste	Suits 32 x 40mm overflow waste
Water Capacity	5 litres
Colour Availability	White
Template	Supplied

FEATURES

Recommended Use	Domestic, hotel or commercial
Weight	13.2kg



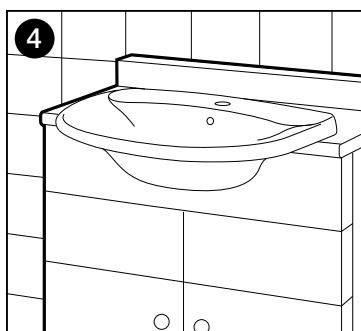
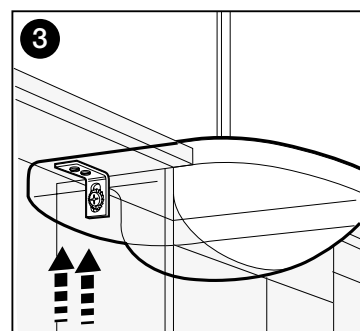
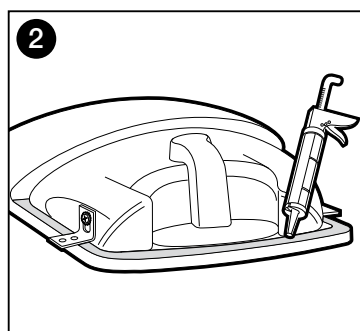
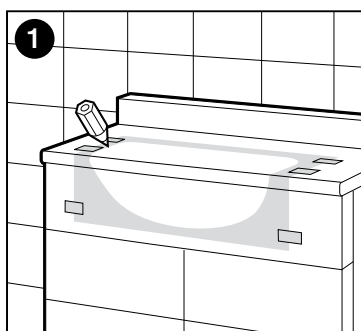
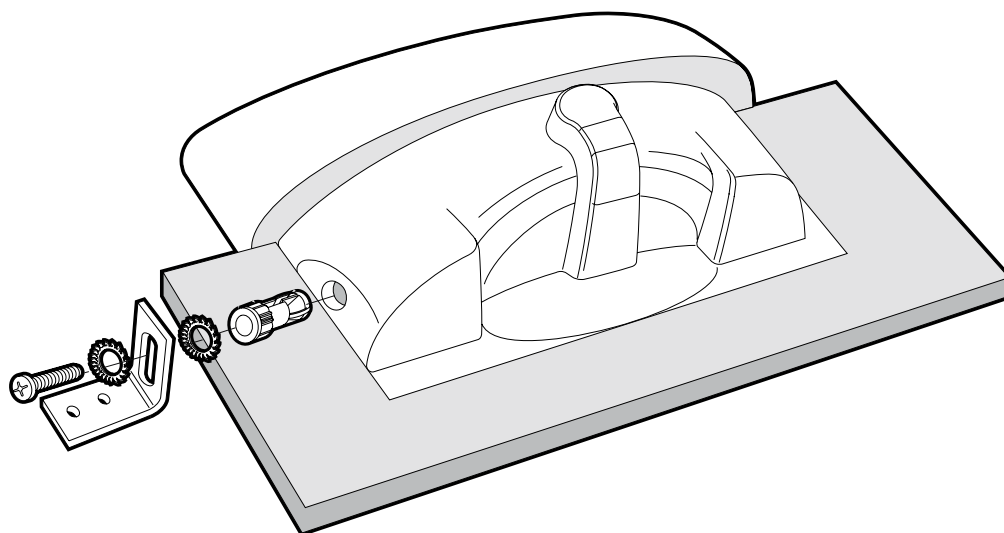
To see the complete Roca range go to www.reece.com.au/bathrooms

CLEANING RECOMMENDATIONS

Soapy water or approved bathroom cleaners. This bathroom product should not be cleaned with abrasive materials. Damage caused by any improper treatment is not covered by the product warranty. Refer to Warranty Page for full Terms and Conditions.

ROCA

VICTORIA SEMI RECESSED BASIN



Plumbers, please ensure a copy of the installation instructions is left with the end user for future reference