

KADO

Kado Lux Close Coupled Back to Wall Overheight Bottom Inlet Toilet Suite with Soft Close Quick Release Seat (4 Star)

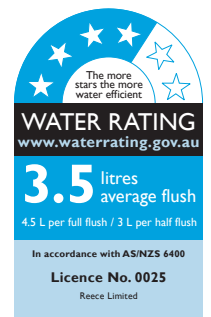
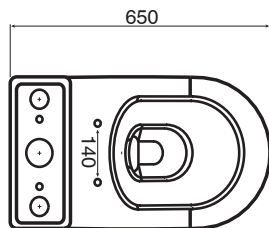
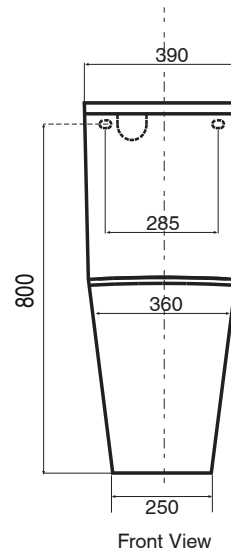
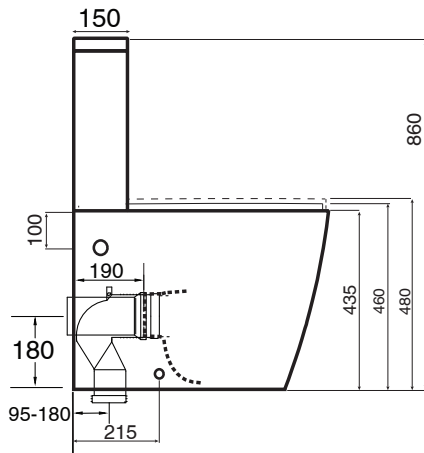
SPECIFICATIONS

Recommended Use	Domestic, Hotel & Commercial
Material	Vitreous China
Colour	White
Weight of Pan	33kg
Weight of Cistern	15kg
Water Inlet Position	Bottom Inlet
Toilet Seat	Soft Close Quick Release (Urea)
Seat Height	460min to 480max finished floor to top of seat for an ambulant installation to AS1428
Rim Configuration	Box Rim
Outlet Type	Universal S & P Converts to S Trap using plastic S-Bend (included)
S Trap Setout	95 - 180mm
P Trap Setout	180mm
Bottom Water Inlet (Centre to Left)	220mm
Inlet Valve Pressure Rating	500kPa

WARRANTY

Warranty - Domestic Use	10 Years
Spare Parts & Labour	12 Months

Please refer to Warranty Page for full Terms and Conditions



Dimensions are nominal measurements only.

Disclaimer: Products in this specification manual must by regulation be installed by licensed and registered trade people. The manufacturer/distributor reserves the right to vary specifications or delete models from their range without prior notification. Dimensions are nominal measurements only. Dimensions and set-outs listed are correct at time of publication however the manufacturer/distributor takes no responsibility for printing errors.

Published 23/11/2020

CLEANING RECOMMENDATIONS:

We recommend the use of soapy water or approved cleaners. This product should not be cleaned with abrasive materials. Damage caused by any improper treatment is not covered by the product warranty. Refer to Warranty Conditions.

