



WOLFEN[®]

INSTALLATION MANUAL

9506036 Wolfen Hob Mounted Sensor Tap with Internal Solenoid





WOLFEN™

IF AFTER CHECKING THE
INSTALLATION INSTRUCTIONS
AND IMPORTANT
INFORMATION, THE PROBLEM
HAS NOT BEEN IDENTIFIED,
PLEASE CONTACT SANITRON
CUSTOMER SUPPORT ON:

+61 7 3875 2465

CONTENTS

Intro	03
Technical Information	04
Unit Components	06
Installation Instructions	08
Warranty	11

Delivering unrivalled quality

Designed for absolute performance, Wolfen's commercial hob mounted sensor tap sets new standards in quality and durability. Ergonomic design combined with precision engineering ensures that every Wolfen product is easy-to-use and made to last. Here are just some of the many innovative features that make the Wolfen commercial hob mounted sensor tap the smart solution.

Commercial durability

- Low power consumption ensuring a long battery life
- Solenoid cartridge has integrated stainless steel strainer
- Gold-plated cable connector contacts
- Water resistant gold-plated cable pluggable connectors
- 5L/min, 6 Star Water rating laminar flow

Installation and servicing

- Battery or optional mains powered
- Operates on 4 X AA batteries
- External battery pack for ease of changeover
- Modular components allow easy maintenance and changeover
- Quick connect moulded plugs

Usage features

- Self-calibrating infrared electronic sensor
- Built in 5L/m flow regulator
- Tap operates when hand is in sensor range and stops when out of range
- Self-adjusting when powered up

Anti-vandal features

- Vandal resistant wall mounted components
- Tap will switch off automatically when used for more than 60 seconds

Application

- Public spaces



Suitable for High Pressure applications
(minimum 150kPa)

TECHNICAL INFORMATION

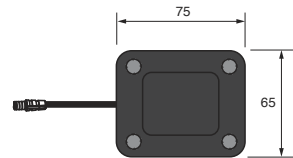
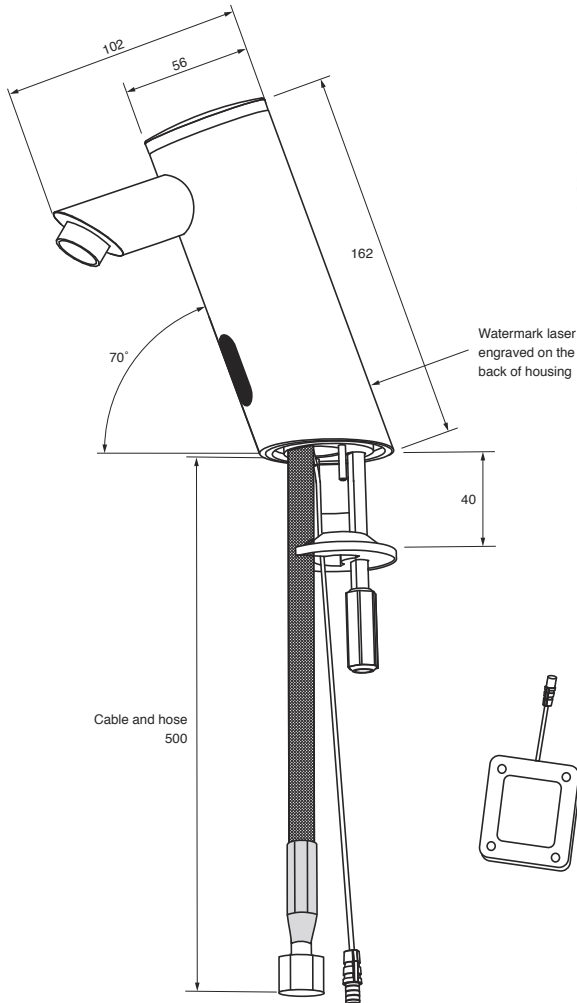
Product Code	9506036
Country of Origin	Australia
Colour	Chrome
Finish	Polished
Material	Brass
Min Continuous Working Pressure	150kPa
Max Continuous Working Pressure	500kPa
Max Static Pressure	800kPa
Max Working Temperature	70°C

Wolfen Hob Mounted Sensor Tap with Internal Solenoid



Spare Part:

9506038 Wolfen AC Conversion Unit to 6V



Battery case
(batteries are not included)

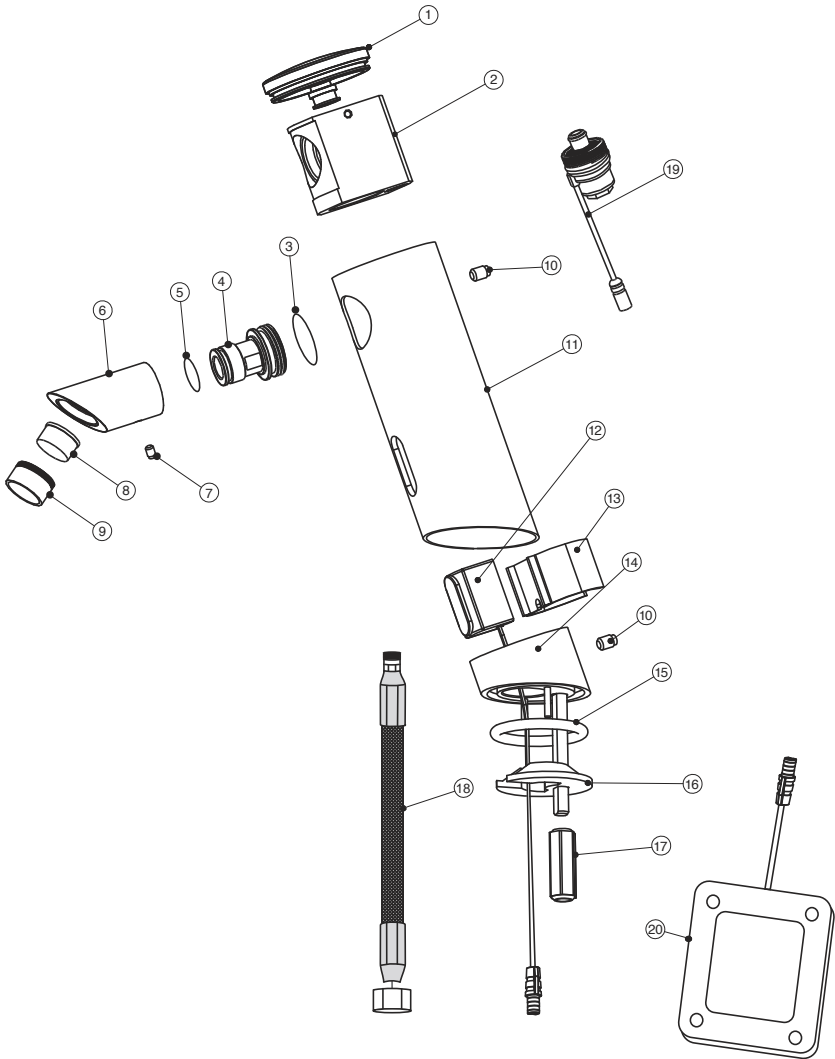
Open the 4 screws to insert batteries (4x AA). Use good quality batteries with high capacity.

UNIT COMPONENTS

Wolfen Hob Mounted Sensor Tap with Internal Solenoid

Item No.	Part Number	Description	QTY.
1	300.301	Lid	1
2	300.302	Inner Body	1
3	300.303	O-Ring	1
4	300.304	Spout Nipple	1
5	300.305	O-Ring	1
6	300.306	Spout	1
7	300.307	Grub Screw	1
8	300.308	Aerator	1
9	300.309	Aerator Housing	1
10	300.310	Grub Screw	2
11	300.311	Tap Body	1
12	300.312	Sensor	1
13	300.313	Sensor Clip	1
14	300.314	Base	1
15	300.315	O-Ring	1
16	300.316	Backing Washer	1
17	300.317	Nut	1
18	300.318	Connection Hose	1
19	200.036	Solenoid Valve	1
20	300.026	Battery Box	1





INSTALLATION INSTRUCTIONS

Important Note

Mixer must be installed to the requirements of AS/NZS 3500 by a qualified plumber. Your mixer comes to you already factory assembled and tested. We do not recommend the dismantling of any internal part of the mixer. The mixer is factory tested and sealed so as to give the best performance.

1. Please flush out new pipe work prior to connecting the new mixer.
2. All mixers should be installed with isolating stop cocks (Arco brand recommended).
3. This tap is suitable for high pressure applications where both hot and cold water supply pressures are at 150kPa or above.

Safety Precautions:

1. The Wolfen Hob Mounted Sensor Tap with Internal Solenoid and its components are for indoor use only.
2. Install the Wolfen sensor tap and its' components only in a dry environment.
3. When performing any work on the Wolfen sensor tap or its' connected components, disconnect the power supply first and isolate the water supply.
4. The transformer and the electrical components should be installed as per the local regulations.
5. Only the original supplied transformer should be connected to the Wolfen sensor tap.
6. For the installation and operation, observe all relevant electrical, safety plumbing and building standards.
7. All supplied components should only be used for the purpose they are designed for.

Installation Instructions:

1. Mount the tap to the basin using the supplied fastening hardware. Do not over tighten the tap to avoid damage to the basin.
2. Connect the tap to the water supply.
3. Remove all loose items out of the basin.
4. Connect the power supply and wait 10 seconds to allow the tap to self-calibrate.
5. Activate the tap by putting the hands in front of the sensor below the aerator. Do this a few time to test the tap.
6. Check the installation for leaks.

Cleaning note:

Do not use harsh or abrasive cleaners on any of the tap surfaces.

Use a suitable mild detergent (follow the manufacturers instructions) and dry with a soft cloth.

TROUBLESHOOTING

<p>No water when activating</p>	<p>Check that:</p> <ul style="list-style-type: none"> • the power is switched on (if applicable) • transformer is plugged in (if applicable) • battery is connected (if applicable) • batteries are charged (if applicable) • all cable connectors are plugged in correctly • the water is turned on • the shut-off valve is open
<p>Detection range is too short</p>	<p>Unplug the power supply, wait for 10 seconds, remove all items out of the basin, re-connect the power and wait 10 seconds before use.</p>
<p>Light is blinking in the sensor window but the tap still operates</p>	<p>Battery power is low. Replace batteries.</p>
<p>Light is blinking in the sensor window but the tap does not operate</p>	<p>Battery power is low. Replace batteries.</p>

NOTE: If supplied, the batteries are consumables and are not covered by the warranty.

TROUBLESHOOTING

If you install the Wolfen Hob Mounted Sensor Tap onto a Stainless Steel hand wash basin and experience that the sensor tap is switching itself intermittently on and off please do the following:

1. Un-plug the power and wait for 15 seconds.
2. Re-connect the power supply.
3. Within 6 seconds of re-connecting the power supply, put your open hand below the end spout in front of the sensor (see below picture).
4. Keep the open hand in this position for another 10 seconds.

Explanation: Stainless Steel has a highly reflective surface. Combined with the shape of some wash basins the sensor cannot automatically adjust itself properly. By following the above procedure, the sensor now has a proper surface to automatically adjust itself.



REECE PRODUCT QUALITY GUARANTEE



You have purchased a quality product from Reece Australia Pty Ltd ABN 84 004 097 090 ("Reece"). This product is covered by a 5 year replacement product warranty and a 12 month warranty over spare parts and labour.

5 YEAR WARRANTY

This warranty covers faults in the product construction, material and assembly. Products which are within 5 years from the date of purchase, found upon inspection by an authorised Reece representative, to be defective in construction, material or assembly, will be repaired or exchanged with an equivalent product free of charge. Replaced items become Reece's property.

All replacement products will be available for collection without charge to the customer at the nearest Reece branch to the customer's location, or elsewhere as agreed between the customer and Reece.

Note: The solenoid valve is classified as a spare part and is covered by the 12 months spare parts and labour warranty as per the manufacturer's provisions.

Labour and Spare Parts

The labour for the replacement of products and spare parts to which this warranty applies will be supplied by Reece or relevant supplier using licensed plumbers engaged by Reece or relevant supplier within 1 year from the date of purchase. Spare parts other than those listed in the Manufacturer's Provisions above, which are within 1 year from the date of purchase found upon inspection by an authorised Reece representative to be defective in construction, material or assembly, will be replaced free of charge.

Warranty Conditions

This warranty will apply only under all of the following conditions:

- The item has been installed by a licensed plumber
- Failure is due to a fault in the manufacture of the product

- Proof of purchase (including the date of purchase) is provided
- The installation of the product is in accordance with the instructions provided

This warranty does not cover products purchased as an ex-display without being fully checked and tested for sale by the manufacturer.

This warranty does not include faults caused by:

- Unsuitable or improper use
- Incorrect installation or installation not in accordance with the instructions provided
- Installation or part installation by the purchaser or any person other than a **LICENSED PLUMBER**
- Normal wear and tear
- Inadequate or complete lack of maintenance
- Chemical, electrochemical or electrical influences
- Harsh detergents or abrasive cleaners used on product finishes

EXCLUSIONS

To the fullest extent permitted by law, Reece excludes all liability for damage or injury to any person, damage to any property, and any indirect consequential or other loss or damage.

CLAIM PROCEDURE

For all warranty queries customers are to contact the branch where the product was purchased. These details can be found on your purchase invoice.

Our goods come with guarantees that cannot be excluded under the Australian Consumer Law. You are entitled to a replacement or refund for a major failure and for compensation for any other reasonably foreseeable loss or damage. You are also entitled to have the goods repaired or replaced if the goods fail to be of acceptable quality and the failure does not amount to a major failure.

Don't risk it, use a licensed plumber.™



WOLFEN™

reece.com.au/wolfen