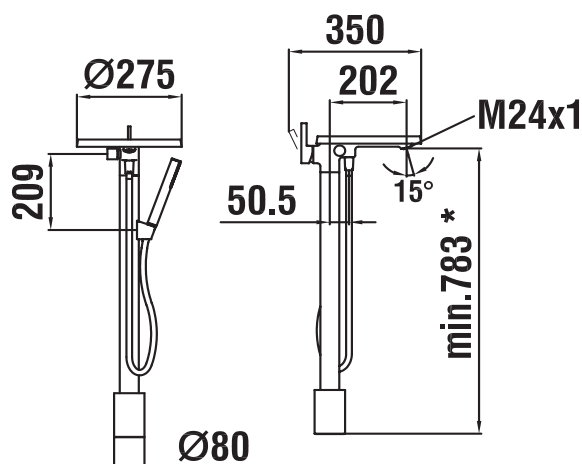


LAUFEN

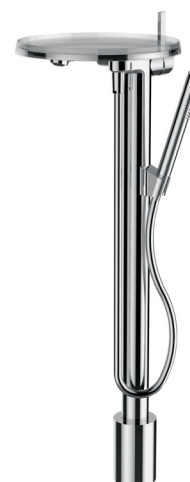
KARTELL DISC BATH COLUMN W/HAND SHOWER



Dimensions are nominal measurements only.

SPECIFICATIONS

Recommended use	Domestic, Hotel and Commercial
Colour availability	Chrome
Pressure rating	Maximum continuous operating pressure 1000kPa. As per AS/NZS3500 pressure must be limited to 500kPa on any new home, extension or renovation. For best performance and longer life we recommend 150-500kPa. Hot and cold water inlet pressure should be equal.
Temperature rating	Maximum continuous working temperature 80°C
Suitable Hot Water Units	Storage Tank: Yes Continuous Flow: Yes Gravity Feed: Not suitable



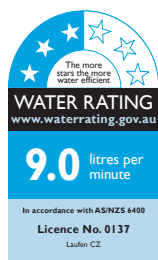
To see the complete LAUFEN range go to www.reece.com.au/bathrooms

CLEANING RECOMMENDATIONS

We recommend the use of soapy water or approved cleaners.

This product should not be cleaned with abrasive materials.

Damage caused by any improper treatment is not covered by the product warranty. Refer to Warranty Conditions.



Disclaimer: Products in this specification manual must by regulation be installed by licensed and registered trade people. The manufacturer/distributor reserves the right to vary specifications or delete models from their range without prior notification. Dimensions are nominal measurements only. Dimensions and set-outs listed are correct at time of publication however the manufacturer/distributor takes no responsibility for printing errors.

Tech Page Version 1

LAUFEN
Bathroom Culture since 1892 www.laufen.com

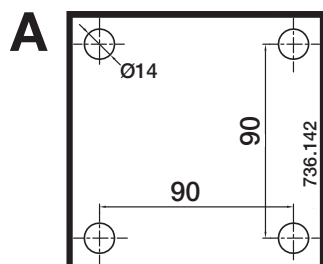
reece

LAUFEN

KARTELL DISC BATH COLUMN W/HAND SHOWER

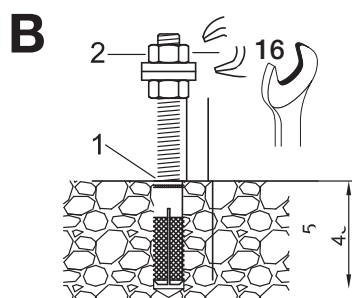


Drilling template

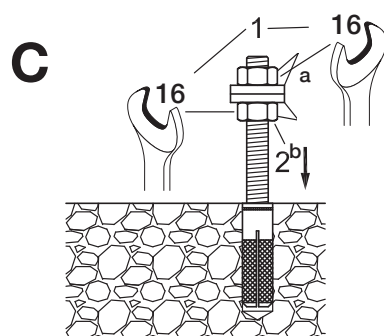


Stick the drilling template to the floor and drill 4 holes 14 mm in diameter to a depth of 50 mm (watch for alignment with the intended position of the bathtub)

Assembly procedure

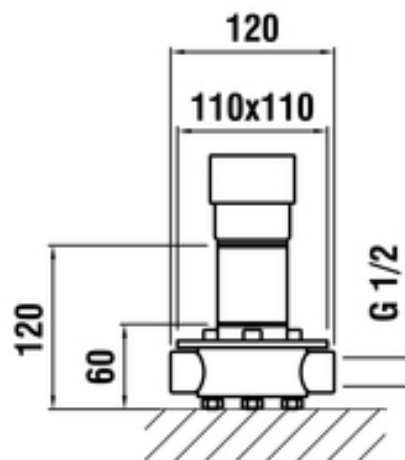


1. Position the inserts, aligning them with the ooring-tile
2. Tighten the studs rmlly

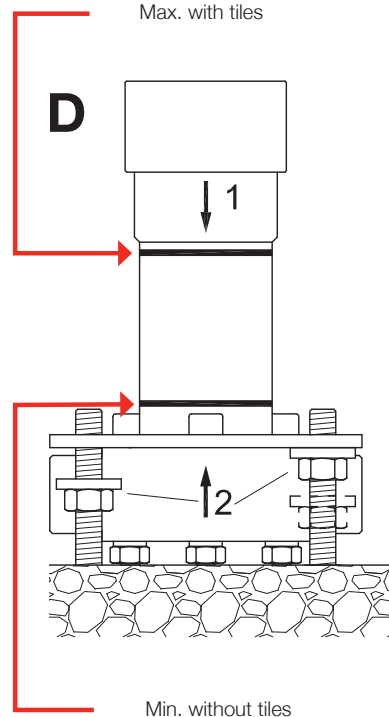


1. Using 2 spanners, unscrew and remove the 4 upper nuts and washers (a)
2. Screw the 4 lower nuts and washers (b) down enough to position the technical unit on the oor

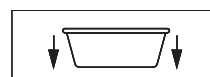
Technical Bloc



Max. with tiles



Min. without tiles



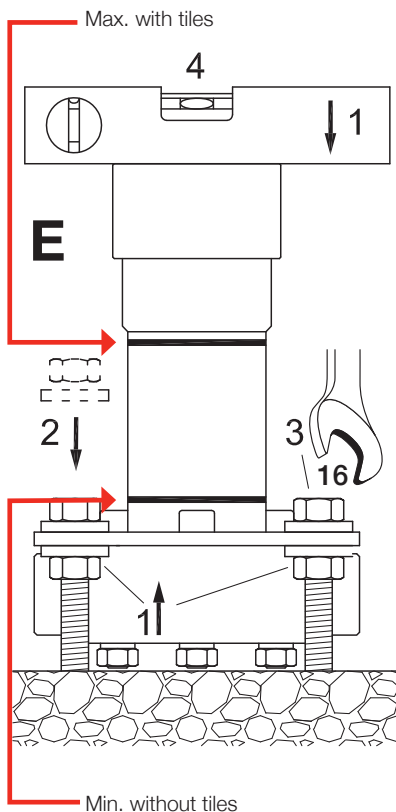
1. Position the technical block, watching the orientation of the bathtub. Ensure: hot water is on the left and cold water on the right
2. Raise lower nuts and washers until contact is made with the plate

LAUFEN

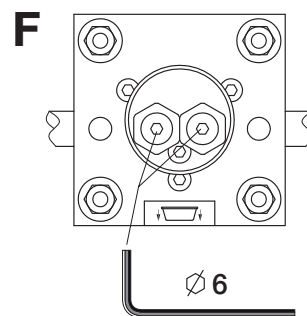
KARTELL DISC BATH COLUMN W/HAND SHOWER



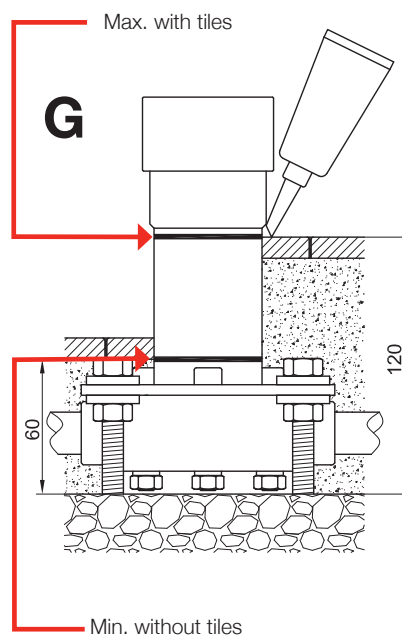
Assembly procedure



1. Place a spirit level on the upper surface and adjust the levels along the 2 axes by raising the lower nuts
2. Position the upper nuts and washers
3. Tighten the upper nuts firmly
4. After tightening, check that the levels are still correct (adjust if necessary)



1. Connect (hot water to the left and cold water to the right)
2. Drain supply lines (remove the 2 x G3/8 plugs with an allen key)
3. Conduct a pressure test (by reinstalling the plugs G3/8)
4. Check for water-tightness



1. Finished floor: minimum height 60 mm **without** tiling maximum height 120 mm **with** tiling
2. When laying the screed and the tiles, leave the plugs and protecting cap assembled to protect the technical unit
3. To avoid any water infiltration between the technical unit and the floor, use silicone to improve water-tightness

LAUFEN

KARTELL DISC BATH COLUMN W/HAND SHOWER

Important Note

Mixer must be installed to the requirements of AS/NZS 3500 by a qualified plumber. Your mixer comes to you already factory assembled and tested. We do not recommend the dismantling of any internal part of the mixer. The mixers are factory tested and sealed so as to give the best performance.

INSTALLATION INSTRUCTIONS



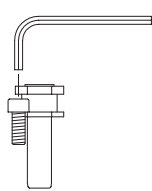
A



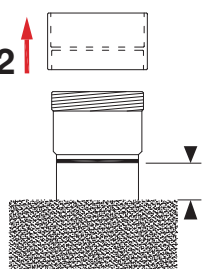
Remove the equipment carefully from its packaging and **take care not to damage the ends of the copper supply tubes.** Shut off the water supply.

B

1 ↑



2 ↑

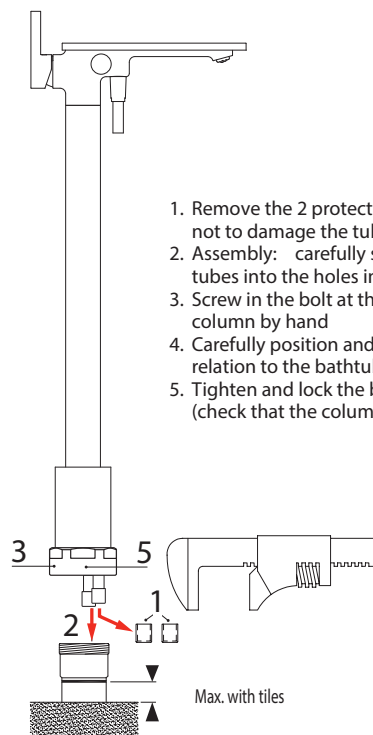


Preparation of technical unit:

1. Remove the 2 plugs by undoing the screw (6 mm allen key)

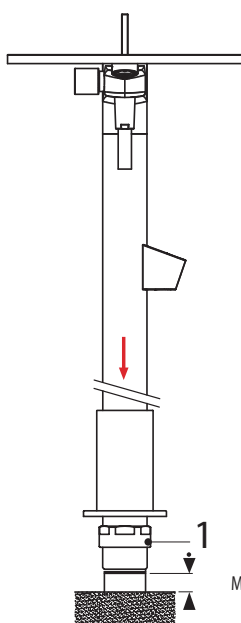
2. Remove the protective cover

Max. with tiles



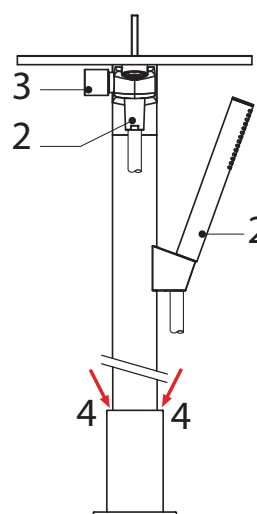
1. Remove the 2 protective plugs, take care not to damage the tubes
2. Assembly: carefully slide the 2 copper tubes into the holes in the base
3. Screw in the bolt at the base of the column by hand
4. Carefully position and align the outlet in relation to the bathtub
5. Tighten and lock the bolt in the base (check that the column doesn't turn)

Max. with tiles



1. Turn on the pressure and check for water-tightness between the technical unit and the column
2. Position the shower support and bolt it in place (5 mm allen key)
3. Connect the shower hose to the mixer and to the shower handle
4. Check the diverter function and tightness of hose fittings
5. Slide the decorative/protective sleeve downwards and press it firmly against the ground to set the foam gasket in place

Max. with



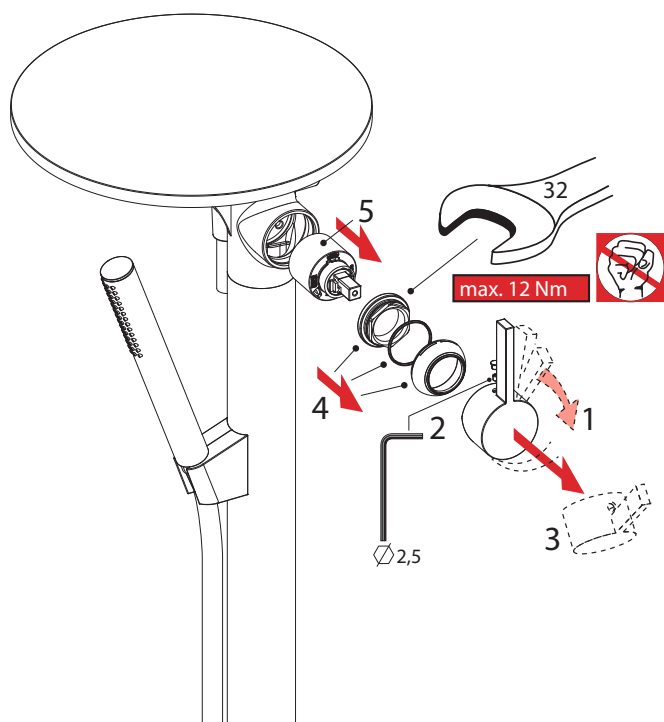
Plumbers, please ensure a copy of the installation instructions is left with the end user for future reference

LAUFEN
Bathroom Culture since 1892 www.laufen.com

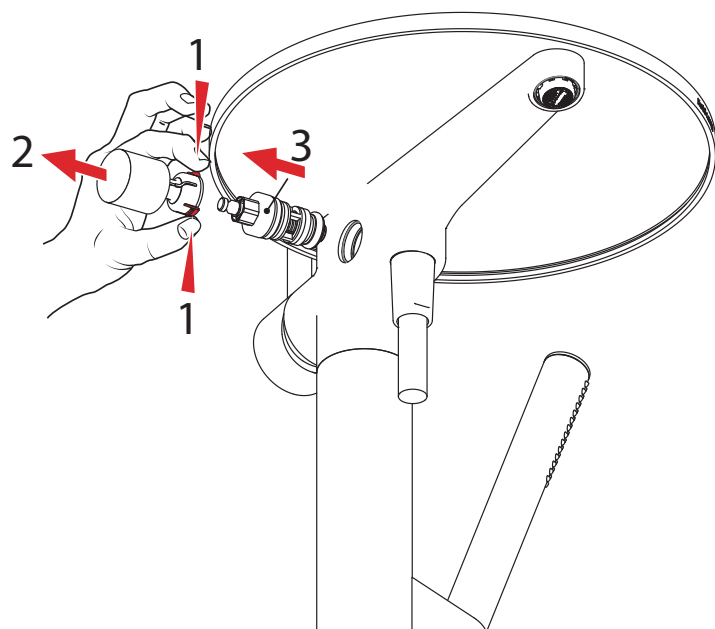
reece

LAUFEN

KARTELL DISC BATH COLUMN W/HAND SHOWER



The water supply must be switched off before the cartridge is replaced. The diverter can be replaced without switching the water supply off.



Plumbers, please ensure a copy of the installation instructions is left with the end user for future reference