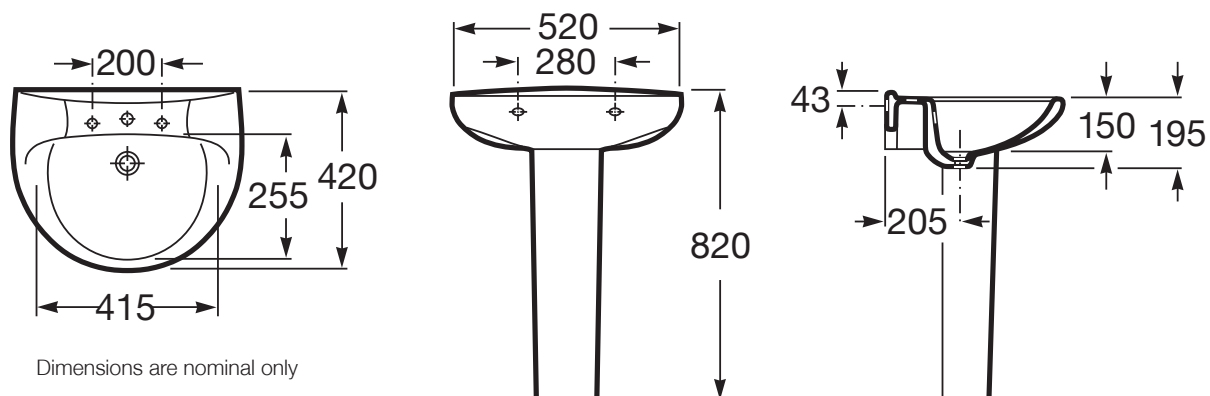


ROCA

VICTORIA WALL BASIN 520 WITH PEDESTAL



SPECIFICATION

Fixing Requirements	Wall basin fixing bolts supplied
Integral Overflow	Yes
Tap Hole Availability	1 or 3 tapholes
Plug & Waste	Suits 32 x 40mm overflow waste
Water Capacity	5 litres
Colour Availability	White



To see the complete Roca range go to www.reece.com.au/bathrooms

FEATURES

Recommended Use	Domestic, hotel or commercial
Weight	Basin - 13.4kg / Pedestal - 8.0kg
Fixing	Wall-mounted
Pedestal	Full pedestal and semi-pedestal available as options

CLEANING RECOMMENDATIONS

Soapy water or approved bathroom cleaners. This bathroom product should not be cleaned with abrasive materials. Damage caused by any improper treatment is not covered by the product warranty. Refer to Warranty Page for full Terms and Conditions.

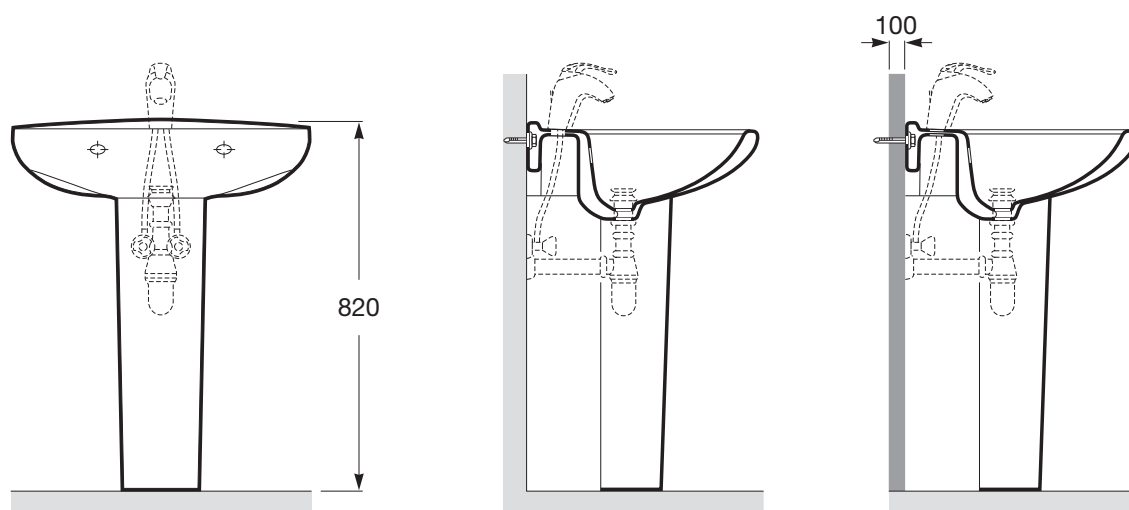
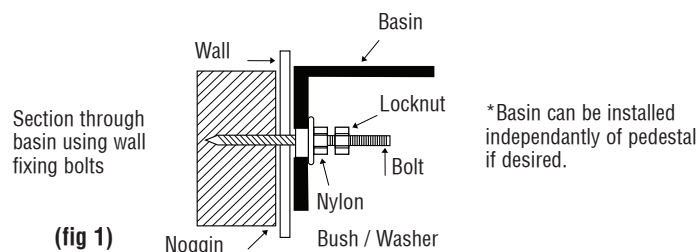
ROCA

VICTORIA WALL BASIN 520 WITH PEDESTAL

INSTALLATION

Note: All measurements are taken from finished wall and floor. If basin is installed at different height to that recommended, all other measurements must be adjusted accordingly. If fixing to timber framed walls or partitioning, the wall should be reinforced with noggins to receive fixing bolts/screws.

- Drill holes into walls at recommended height and fixing centres and install fixing bolts supplied (fig 1).
- Fit selected tapware to basin. Fit the supplied overflow waste to basin ensuring it is sealed with silicone on top.
- Carefully align basin complete with fittings onto protruding bolts.
- Insert nylon bushes and locking nut and partially tighten lock nuts to hold basin into position. Make minor adjustments at this stage to ensure basin is level and then fully tighten lock nuts. Do not over tighten.
- If desired all visible external edges can be joint sealed using flexible sealant ensuring to wipe off any excess.
- Carefully position pedestal under basin and check for proper fit. Make minor adjustments to basin height if required before finally tightening basin locking nuts.



ROCA

VICTORIA WALL BASIN 520 WITH PEDESTAL

INSTALLATION

