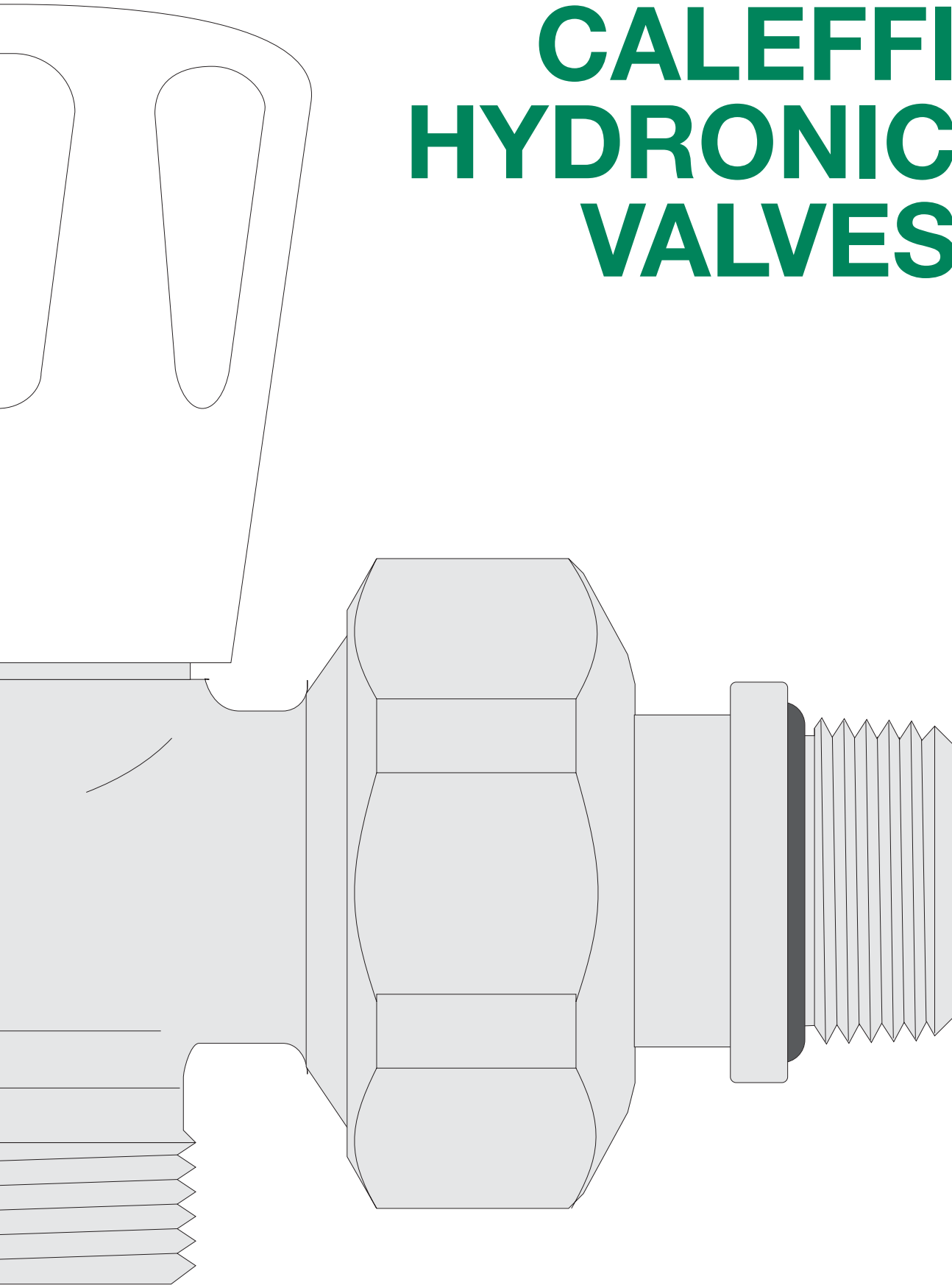


# CALEFFI HYDRONIC VALVES



## MANUAL RADIATOR VALVES



1601811 - Series 340



1601812 - Series 341



1603748 - Series 411



1603749 - Series 412

## CONVERTIBLE RADIATOR VALVES



1601816 - Series 339



1601815 - Series 338



1603752 - Series 401



1603753 - Series 402

## CONVERTIBLE RADIATOR VALVES



1603756 - Series 227



1603757 - Series 224

## LOCKSHIELD VALVES



1601814 - Series 343



1601813 - Series 342



1603750 - Series 431



1603751 - Series 432

## RAD VALVE SET TOWEL WARMER



9506336 - Series 4003



9506337 - Series 4003

## THERMOSTATIC HEAD & CONNECTORS



1601820 - Series 200



1601819 - Series 437



1603760 - Series 679



9506338- Series 200

## DIRT SEPERATORS WITH MAGNET



1006782 - Series 5453



1006783 - Series 5453

# MANUAL RADIATOR VALVES

## Function

The following series of manual and lockshield valves are typically used for controlling and regulating the fluid flow in heat emitters of central heating systems.

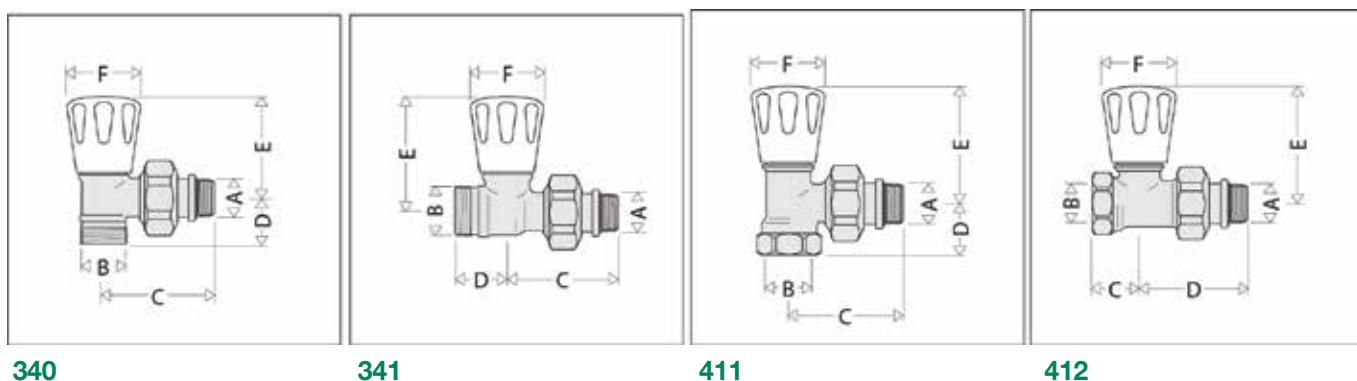
They are supplied with a special tailpiece with rubber hydraulic seal, permitting quick, safe connection to the radiator without the use of additional sealing materials.

## TECHNICAL SPECIFICATION

<b>Body</b>	Brass UNI EN 12165 CW617N, chrome plated
<b>Closure Device</b>	Brass UNI EN 12164 CW614N
<b>Hydraulic Seals</b>	EPDM
<b>Gland</b>	PTFE
<b>Control Knob &amp; Cap</b>	ABS (RAL 9010)
<b>Fluid</b>	Water, glycol solutions
<b>Max Percentage of Glycol</b>	30%
<b>Max Working Pressure</b>	10 bar
<b>Temperature Range</b>	5 to 100°C



## Dimensions



## SPECIFICATION

Product Code	Caleffi Code	Description	A	B	C	D	E	F
1601811	340 402	Caleffi Manual Rad Valve R/A MI 1/2"	1/2"	1/2"	53.5	21.5	48.5	37.5
1601812	341 402	Caleffi Manual Rad Valve Str MI 1/2"	1/2"	1/2"	53.5	24	57	37.5
1603748	411 402	Caleffi Manual Rad Valve R/A FI 1/2"	1/2"	1/2"	54	23	48	37.5
1603749	412 402	Caleffi Manual Rad Valve Str FI 1/2"	1/2"	1/2"	22	52	55	37.5

# CONVERTIBLE RADIATOR VALVES

## Function

The following series of convertible radiator valves are typically used for controlling the fluid in the emitters of heating systems.

These special valves can be converted from manual to thermostatic operation by simple replacement of the adjusting knob with a thermostatic control head. This means that the ambient temperature of any room in which they are installed can be constantly maintained at the set value.

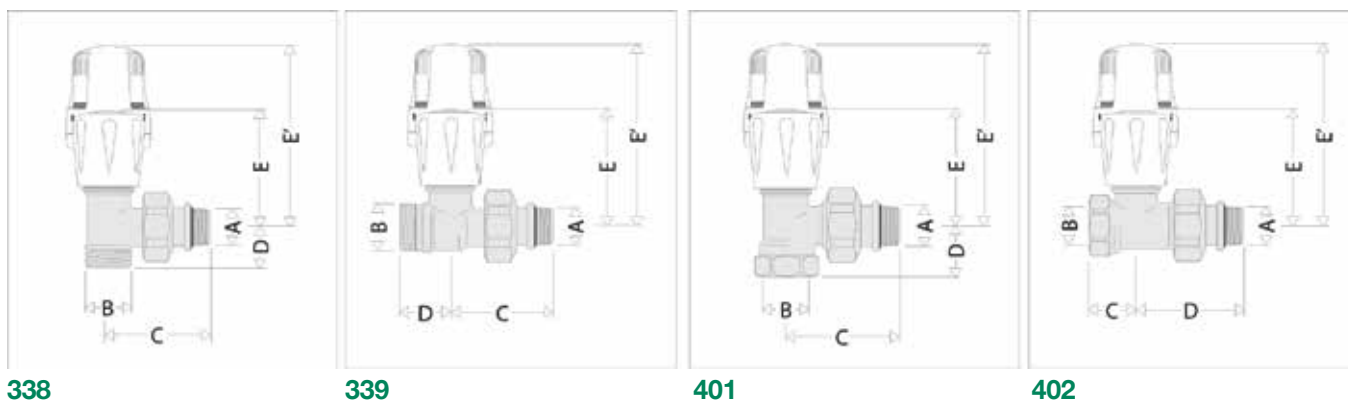
They are supplied with a special tailpiece with rubber hydraulic seal, permitting quick, safe connection to the radiator without the use of additional sealing materials.

## TECHNICAL SPECIFICATION

<b>Body</b>	Brass UNI EN 12165 CW617N, chrome plated
<b>Closure Device</b>	Stainless Steel
<b>Hydraulic Seals</b>	EPDM
<b>Control Knob &amp; Cap</b>	ABS (RAL 9010)
<b>Fluid</b>	Water, glycol solutions
<b>Max Percentage of Glycol</b>	30%
<b>Max Diff Pressure with Control Fitted</b>	1 bar
<b>Max Working Pressure</b>	10 bar
<b>Temperature Range</b>	5 to 100°C



## Dimensions



## SPECIFICATION

Product Code	Caleffi Code	Description	A	B	C	D	E	E'
1601815	338 402	Caleffi Convert Rad Valve R/A MI 1/2"	1/2"	1/2"	53.5	20.5	51.5	100
1601816	339 402	Caleffi Convert Rad Valve Str MI 1/2"	1/2"	1/2"	53.5	24	55	103
1603752	401 402	Caleffi Convert Rad Valve R/A FI 1/2"	1/2"	1/2"	53.5	23	51.5	100
1603753	402 402	Caleffi Convert Rad Valve Str FI 1/2"	1/2"	1/2"	22	52	55	103

# CONVERTIBLE RADIATOR VALVES

## Function

The following series of convertible radiator valves are typically used for controlling the fluid in the emitters of heating systems.

These special valves can be converted from manual to thermostatic operation by simple replacement of the adjusting knob with a thermostatic control head. This means that the ambient temperature of any room in which they are installed can be constantly maintained at the set value.

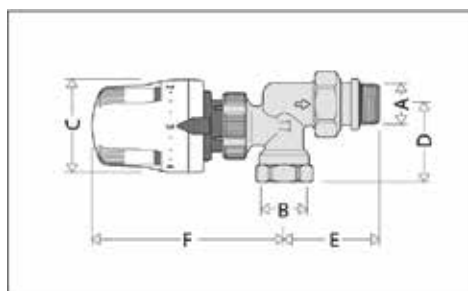
They are supplied with a special tailpiece with rubber hydraulic seal, permitting quick, safe connection to the radiator without the use of additional sealing materials.

## TECHNICAL SPECIFICATION

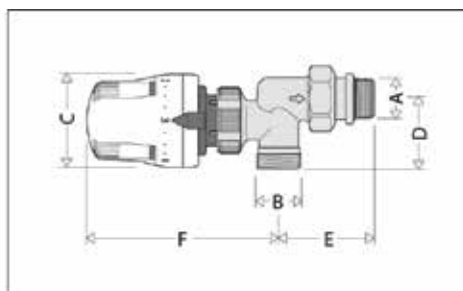
<b>Body</b>	Brass UNI EN 12165 CW617N, chrome plated
<b>Closure Device</b>	Stainless Steel
<b>Hydraulic Seals</b>	EPDM
<b>Control Knob &amp; Cap</b>	ABS (RAL 9010)
<b>Fluid</b>	Water, glycol solutions
<b>Max Percentage of Glycol</b>	30%
<b>Max Diff Pressure with Control Fitted</b>	1 bar
<b>Max Working Pressure</b>	10 bar
<b>Temperature Range</b>	5 to 100°C



## Dimensions



**224**



**227**

## SPECIFICATION

Product Code	Caleffi Code	Description	A	B	C	D	E	F
<b>1603757</b>	224 402	Caleffi Reverse Therm Rad Valve FI 1/2"	1/2"	1/2"	48	40	51	104
<b>1603756</b>	227 402	Caleffi Reverse Therm Rad Valve MI 1/2"	1/2"	1/2"	48	37	51	104

# LOCKSHIELD VALVES

## Function

The following series of manual and lockshield valves are typically used for controlling and regulating the fluid flow in heat emitters of central heating systems.

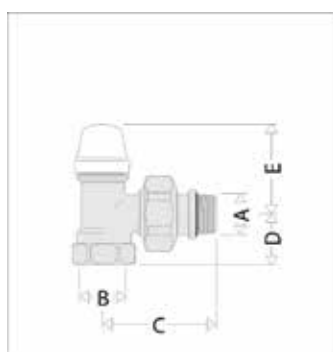
They are supplied with a special tailpiece with rubber hydraulic seal, permitting quick, safe connection to the radiator without the use of additional sealing materials.

## TECHNICAL SPECIFICATION

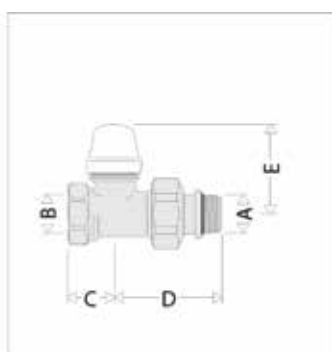
<b>Body</b>	Brass UNI EN 12165 CW617N, chrome plated
<b>Closure Device</b>	Brass UNI EN 12164 CW614N
<b>Hydraulic Seals</b>	EPDM
<b>Gland</b>	PTFE
<b>Control Knob &amp; Cap</b>	ABS (RAL 9010)
<b>Fluid</b>	Water, glycol solutions
<b>Max Percentage of Glycol</b>	30%
<b>Max Working Pressure</b>	10 bar
<b>Temperature Range</b>	5 to 100°C



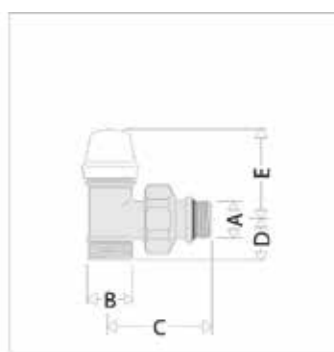
## Dimensions



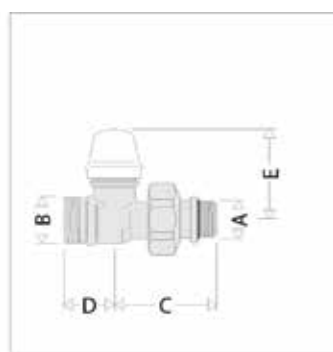
431



432



342



343

## SPECIFICATION

Product Code	Caleffi Code	Description	A	B	C	D	E	F
1603750	431 402	Caleffi Lockshield Valve R/A FI 1/2"	1/2"	1/2"	28.5	54	23	38
1603751	432 402	Caleffi Lockshield Valve Str FI 1/2"	1/2"	1/2"	28.5	52	22	44.5
1601813	342 402	Caleffi Lockshield Valve R/A MI 1/2"	1/2"	1/2"	28.5	53.3	21.5	39
1601814	343 402	Caleffi Lockshield Valve Str MI 1/2"	1/2"	1/2"	28.5	53.3	24	44.5

# THERMOSTATIC CONTROL HEAD

## Function

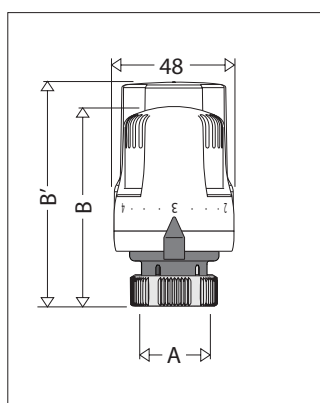
The control device of the thermostatic valve is a proportional temperature regulator, composed of bellows containing a specific thermostatic liquid. As the temperature increases, the liquid increases in volume and causes the bellows to expand. As the temperature decreases the opposite process occurs; the bellows contract due to the thrust of the counter spring. The axial movements of the sensor element are transmitted to the valve actuator by means of the connecting stem, thereby adjusting the flow of medium in the heat emitter.

## TECHNICAL SPECIFICATION

<b>Adjustment Scale</b>	0 - 5
<b>Control Temperature Range</b>	0–28°C
<b>Frost Protection Cut-In</b>	7°C
<b>Max Ambient Temperature</b>	50°C
<b>Capillary Length (201 Series)</b>	2m
<b>Room Temp Indicator (202 Series)</b>	16 to 26°C



## Dimensions



200

## SPECIFICATION

Product Code	Caleffi Code	Description	A	B	B'
1601820	200 000	Caleffi Thermostatic Control Head	30p.1,5	80	-



# RADIATOR ADAPTORS

## Function

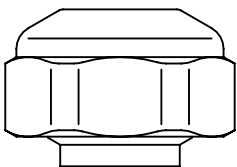
Compression fitting for annealed copper, hard copper, brass, mild and stainless steel pipes with O-Ring seal.

### TECHNICAL SPECIFICATION

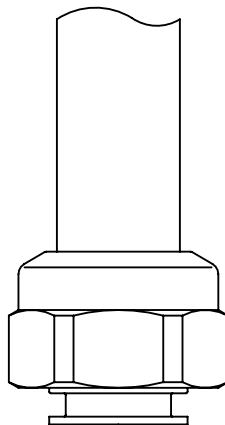
<b>Temperature Range</b>	-25 to +120°C
<b>Max Working Pressure</b>	10 bar
<b>Material</b>	High Chrome finish



## Dimensions



437



679

### SPECIFICATION

Product Code	Caleffi Code	Description
1601819	437 013	Caleffi Rad Valve Adapt TO 15mm Copper
1603760	679 024	Caleffi Rad Valve Adapt TO MLP 16x2.0mm

# DIRT SEPERATORS

## Function

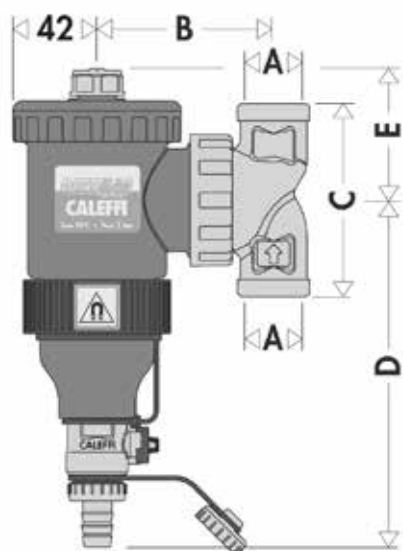
The dirt separator separates the impurities, which are mainly made up of sand and rust particles, circulating within the closed circuit systems, with very low head losses. The impurities are collected in a large decantation chamber, that requires low frequency cleaning procedures, from which they can be removed even while the system is in operation.

## TECHNICAL SPECIFICATION

<b>Body</b>	PA66G30
<b>Cover</b>	PA66G30
<b>Top Plug</b>	brass EN 12164 CW614N
<b>Drain Screw</b>	brass EN 12164 CW614N
<b>Tee Fitting</b>	brass EN 12420 CW617N
<b>Locking Nut</b>	brass EN 1982 CB 753S
<b>Internal Element</b>	HDPE
<b>Hydraulic Seals</b>	EPDM
<b>Drain</b>	brass EN 12165 CW617N



## Dimensions



## SPECIFICATION

Product Code	Caleffi Code	Description	A	B	C	D	E	Mass
<b>1006782</b>	545305	Caleffi Dirt Separator W/ Magnet 20mm	3/4"	87.5	96	172.5	65.5	1.5
<b>1006783</b>	545306	Caleffi Dirt Separator W/ Magnet 25mm	1"	87.5	141	172.5	65.5	1.5

# RAD VALVE SET TOWEL WARMERS

## Function

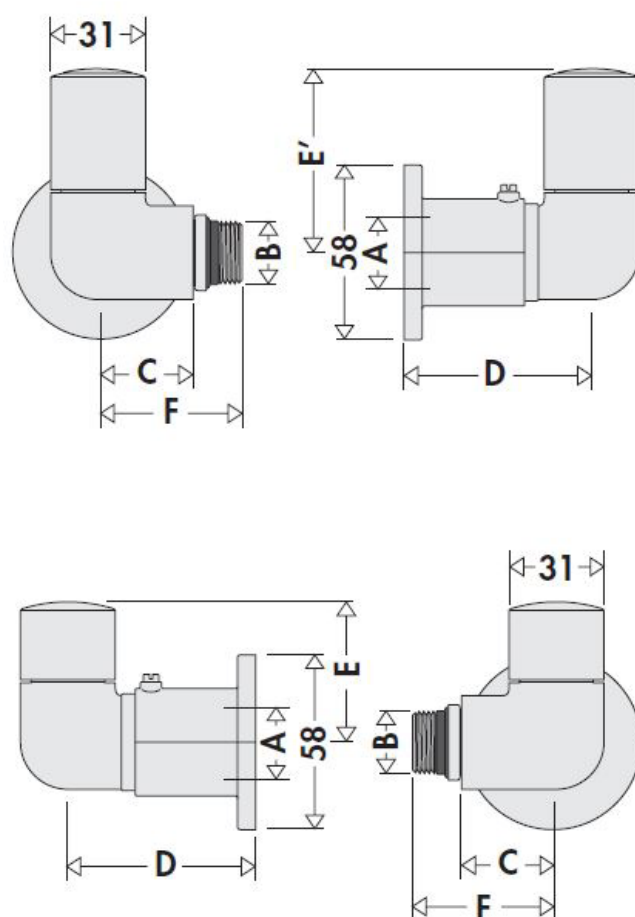
Convertible radiator valves and lockshields are typically used to shut off and balance the flow rate of medium on the terminal emitters of heating and air-conditioning systems.

Whereas thermostatic control head are used in automatically regulating the ambient temperature on the set value: for this purpose convertible radiator valves can be converted from manual to thermostatic by simply replacing the control knob with the thermostatic control.



## TECHNICAL SPECIFICATION

<b>Body</b>	brass EN 12164 CW617N
<b>Control</b>	brass EN 12164 CW614N
<b>Obturator Control Stem</b>	Stainless Steel
<b>Spring</b>	Stainless Steel
<b>Lockshield obturator control stem</b>	brass EN 12420 CW617N
<b>Hydraulic seals</b>	EPDM
<b>Control knob</b>	ABS, high chrome finish
<b>Knob cap</b>	PA, high chrome finish
<b>Lockshield knob</b>	brass EN 12164 CW614N, high chrome finish
<b>Pipe-cover shell</b>	ABS, high chrome finish
<b>Valve or lockshield connections:</b>	- 1/2" x 23 p.1,5
<b>Medium</b>	water, glycol solutions
<b>Max percentage of glycol</b>	30%
<b>Max working pressure</b>	10 bar
<b>Max differential pressure with control fitted</b>	1 bar
<b>Temperature range</b>	5÷100°C



## SPECIFICATION

Product Code	Caleffi Code	Description	A	B	C	D	E	E'	F
9506336	400300	Caleffi Rad Valve Set Towel Warmer CP	23 p.1,5	1/2"	31	55÷80	46,5	61	47
9506337	400301	Caleffi Rad Valve Set Towel Warmer WH	23 p.1,5	1/2"	31	55÷80	46,5	61	47

