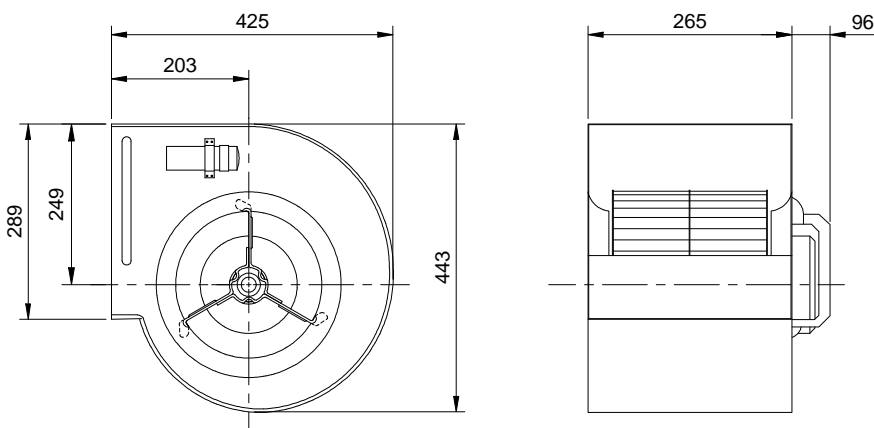


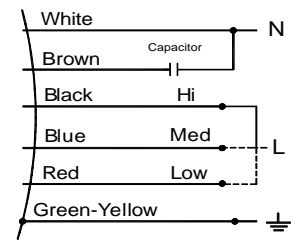
KDD 10/8 550W 4P-1 3SY



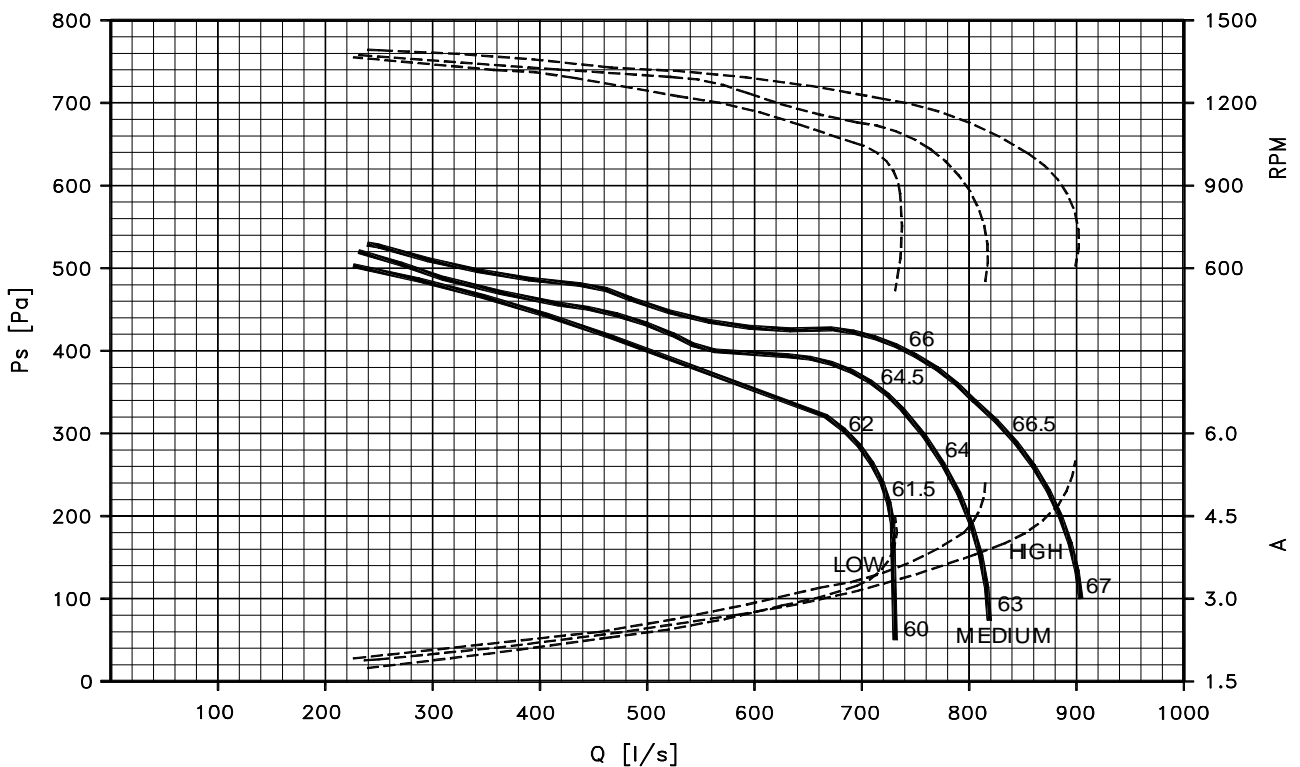
VOLT	220 - 240	Ph	1	SL.	KD10006.3
WATT	550	Hz	50	Part no.	CE-AD0G743.01
RPM	1300/1250/1150	Cl.	F	uF/V	12.5/450
POLE	4	Temp.	min - 20°C	N. Amp	4.0
IP	21		max +40°C	M. Amp	5.1
				Date	11/5/01
				Weight	18 kg



Wiring diagram



All Dimension in mm



* Sound Lp(A) at 1 m.