

# Chrome Hand Held Shower and Smooth Hose with Left Hand Inverted T Stainless Steel Grab Rail

## SGR028CTL

Water efficient handheld shower set with chrome shower head and holder, smooth hose and stainless steel grab rail.

Suitable for commercial amenities, hospitals, hotels, sporting facilities and public areas.

### FEATURES

- Chrome plated shower head
- Single spray pattern
- Single-hand adjustable shower head holder
- Chrome plated wall elbow complete with spring loaded dual check valve
- 1.5m smooth hose in chrome finish
- Polished stainless steel heavy duty grab rail 1100mm x 700mm
- Concealed wall flange fixings
- Suitable for AS1428.1 applications \*

\*Wall outlet must be installed 700mm from finished floor level

### Product Codes

**SGR028CTL** Left hand T grab rail, wall elbow, chrome hand held shower, smooth chrome hose, chrome plated adjustable shower head holder

### OPTIONS

- White finish **SGR028TL**
- Left hand T grab rail only **SGR018TL**
- Without grab rail **SP274CSL**
- Handheld shower, hose & wall elbow only **SP274C**

### Load Rating:

Enware Grab Rails that are manufactured within the guidelines of AS1428 are compliant with being able to withstand 1100N of force applied in any direction.

Fixing screws are not supplied with product. Ensure grab rail is installed on a solid wall surface with firm wall backing using appropriate fixing method. Structural engineers or licensed tradespersons should be consulted for appropriate advice on suitability of the fasteners and wall structure before affixing or installing any Enware products. Enware does not provide any warranty in relation to bolts, screws or other fasteners used with Enware products.

### Technical Information

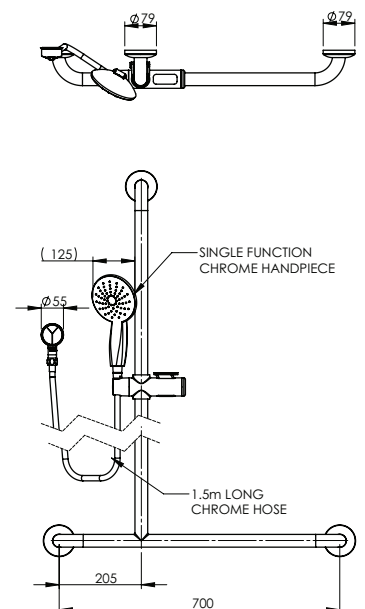
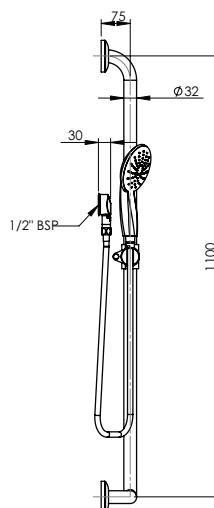
Inlet Connection	1/2" BSP (15mm)
Working Pressure Range	150 - 500 kPa
Flow Rate	8.5 l/m
Maximum Water Temperature	70 °C

Enware products are to be installed in accordance with the Plumbing Code of Australia and AS/NZS3500. Reference should also be made to the Australasian Health facility Guidelines (AHFG), ABCB and Local Government regulations when considering the choice of, and the installation of these products.

Enware Australia advises: 1. Due to ongoing Research and Development, specifications may change without notice. 2. Component specifications may change on some export models. 3. Refer to Warranty Statement for warranty details - [www.enware.com.au/warranty](http://www.enware.com.au/warranty)



NOTE: Dimensional drawings for product illustrating purpose only. For set-out compliance refer to AS1428.1-Design for Access and Mobility.



Version: Oct 20

Call 1300 369 273  
[www.enware.com.au](http://www.enware.com.au)

Enware Australia Pty Limited  
9 Endeavour Rd Caringbah NSW 2229 Australia  
Ph: 02 8536 4000 [info@enware.com.au](mailto:info@enware.com.au)

