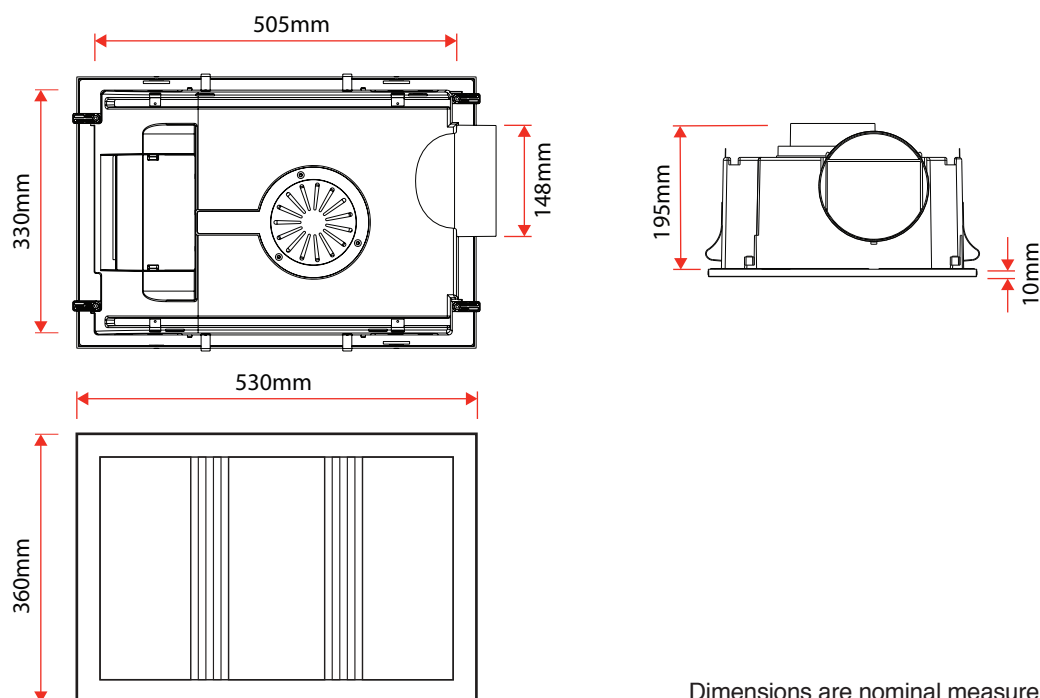


# KADO

## LUX 3-IN-1 HEAT LIGHT EXHAUST



Dimensions are nominal measurements only.

### SPECIFICATIONS

<b>Recommended use</b>	Domestic, Hotel and Commercial
<b>Fascia Material</b>	Aluminium & Glass
<b>Colour availability</b>	White, Titanium
<b>Weight</b>	7.86kg
<b>Heat</b>	2 x 800 watt heat lamps
<b>Light</b>	18 watt LED panel
<b>Air Movement</b>	92 L/sec (330m <sup>3</sup> /H)*
<b>Cutout Size</b>	505 x 330mm
<b>Rec Min Install Depth</b>	220mm

\*All airflow data has been gathered in accordance with International Industry Standards.

### PART NO.

### REECE CODE

<b>REHLXWH</b>	White	2053301
<b>REHLXSS</b>	Titanium	2053302

### CLEANING RECOMMENDATIONS

We recommend the use of soapy water or approved cleaners.

This product should not be cleaned with abrasive materials.

Damage caused by any improper treatment is not covered by the product warranty. Refer to Warranty Conditions.



To see the complete KADO range go to [www.reece.com.au/bathrooms](http://www.reece.com.au/bathrooms)

**Disclaimer:** Products in this specification manual must by regulation be installed by licensed and registered trade people. The manufacturer/distributor reserves the right to vary specifications or delete models from their range without prior notification. Dimensions are nominal measurements only. Dimensions and set-outs listed are correct at time of publication however the manufacturer/distributor takes no responsibility for printing errors.

Tech Page Version 1

# KADO

## LUX 3-IN-1 HEAT LIGHT EXHAUST UNIT

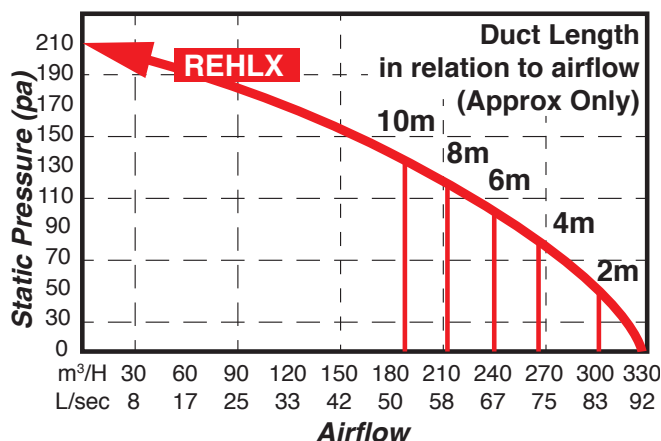
### TECHNICAL SPECIFICATIONS

EXHAUST	
Air Delivery	92 L/sec (330m <sup>3</sup> /H)*
Motor Power	65 watts
Noise Level	45dB(A)
Ball Bearing	Yes
Duct Outlet Size	150mm
Draft Stopper	Yes

LIGHT	
Type	LED Panel Light
Wattage	18 watts
Lumens	1521Lm
Colour (CCT)	4200K Natural White

HEAT	
Type	Instant Radiant Heat
Lamp Type	290mm Infrared Heat lamp
Lamp Wattage	2 x 800w

INCLUDES	
1 x Bathroom Unit	
2 x 800 watt Heat lamps	
1 x 18 watts LED Panel	
1 x 4 Switch Wall Plate	
1 x Cutout Template	



\*All airflow data has been gathered in accordance with International Industry Standards.

INSTALLATION	
Cut Out Size	505 x 330mm
Fascia Size	530 x 360mm
Rec Min Install Depth	220mm
IP Rating	IPX4 Splash Resistant
Installation Type	Qualified Electrician Needed

PACKAGING	
Packaging Size	640 x 390 x 275mm
Gross Weight	9.3kg

### AVAILABLE SPARE PARTS AND ACCESSORIES

Part Number	Supplier	Description
V150DKIT	Ventair	Ducting Kit with 1 x 150mm Grille and 6m Aluminium ducting.
VAD150	Ventair	Ø150mm x 6m Aluminium Ducting.
V150PALG	Ventair	150mm Premium Aluminium External Vent.
V31RFR	Ventair	Radio Frequency Remote Control to suit 3-in-1 Bathroom units.
VTROTIMER	Ventair	1-25min Adjustable exhaust fan run-on timer.
VTMSENSOR	Ventair	Infrared motion sensor with 1-5m detection range and 1-20min run-on timer.
VKLEDPNW	Ventair	18 watt replacement LED Light panel.
VKHL800WH	Ventair	800 watt replacement heat lamp.

# KADO

## LUX 3-IN-1 HEAT LIGHT EXHAUST UNIT

### INSTALLATION INSTRUCTIONS

Please read these instructions carefully before installing and using the product. Keep the instructions handy for future reference. Electrical wiring must only be done by a licensed electrician and a "Certificate of Compliance" must be issued on completion of the installation.

### LOCATION

The unit must be located and installed in accordance with AS/NZS 3000 and local building codes relating to damp situations. The unit can be installed in any room that requires direct radiant heating and circulated airflow such as bathrooms, ensuites, laundries etc. The unit can be installed in flat ceilings with a minimum height of 2.3 metres. At least 220mm height clearance in the ceiling cavity is required to ensure sufficient ventilation for moisture to disperse. The unit must be installed at least 250mm away from walls.

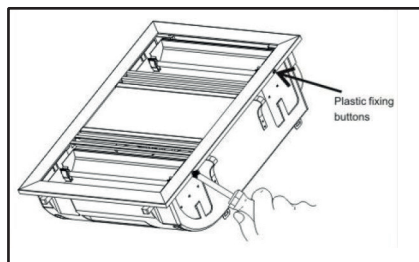
Ensure adequate inlets exist through windows, vents or under the door for airflow.

Regulations concerning the discharge of air must be fulfilled.

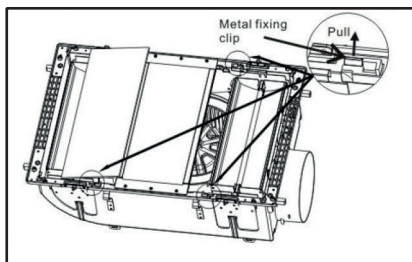
### POWER

AC220~240V, 50Hz electrical supply is required. The unit can be connected to a lighting or power circuit if loading permits. All electrical work must be carried out in accordance with AS/NZS 3000 or latest edition thereof, and local building codes and regulations. A four gang switch is included for all kinds of wiring combinations, e.g. One "HEAT" for one heat lamp and two "HEAT" for two heat lamps. Ensure that the power supply is isolated before commencing installation.

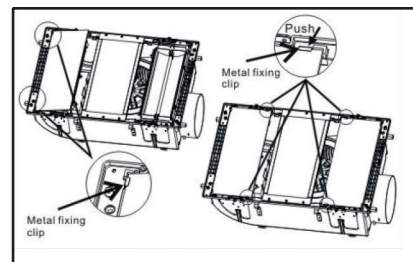
### MOUNTING



1. To remove Fascia, on one side of the unit, press the plastic fixing buttons inwards and gently pry the fascia away from the unit.



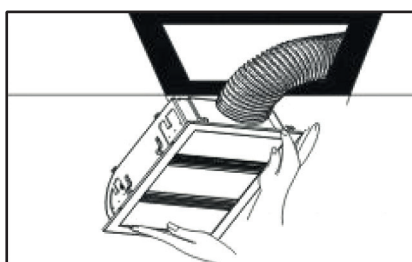
2. Bend the flexible metal fixing tabs outward to allow the glass to be seated in position.



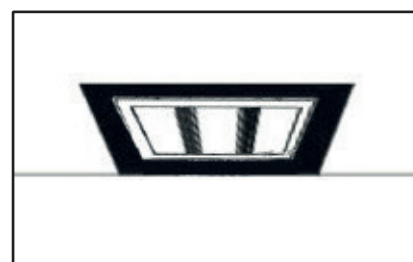
3. Slide the glass into position against the end tabs, then bend side fixing tabs back into position to ensure the glass is fixed securely.



4. Use the supplied card as a template. Place in the required location and mark out the hole cutting size. The hole size is 505mm x 330mm. Before commencing cutting, ensure that the area behind the intended location is clear of all cables, pipes and joists. Once clear, cut out the section along the previously marked lines.



5. Remove terminal box cover on back of unit and connect wiring as per wiring diagram supplied. Connect Ducting if required then insert unit into cutout hole. Ensure the 4 metal fixing springs on sides have popped back into position on backside of Gyprock then tighten 4 x fixing clamps at ends of units and ensure unit is properly secured.



6. Replace fascia, locate one side into position then gently press plastic fixing buttons on other side to help click fascia into final position.

Electricians, please ensure a copy of the installation instructions is left with the end user for future reference.

KADO

# LUX 3-IN-1 HEAT LIGHT EXHAUST UNIT

## INSTALLATION INSTRUCTIONS

**NOTICE: TO INSTALL THE HEAT LAMP, PULL UP THE LAMP SLIGHTLY FROM THE LAMP CLIP AND THEN REMOVE THE QUICK CONNECTOR**

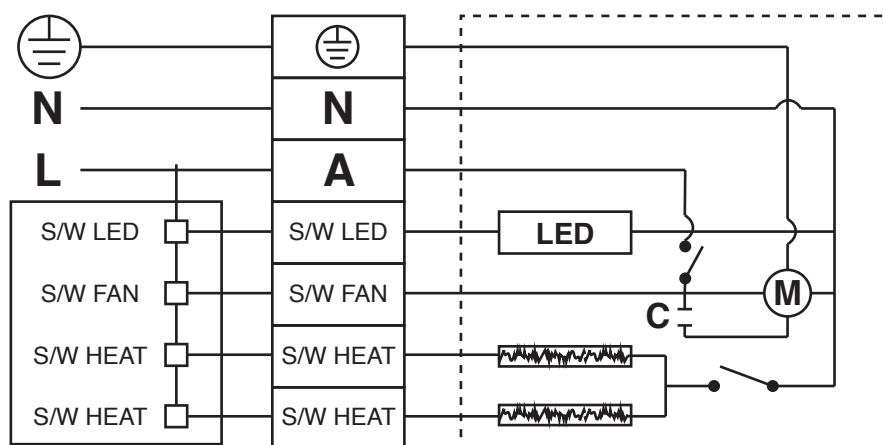
### ELECTRICAL WIRING

The unit must be located and installed in accordance with AS/NZS 3000 and local building codes relating to damp situations. The unit can be installed in any room that requires direct radiant heating and circulated airflow such as bathrooms, ensuite, laundries etc. The unit can be installed in flat ceilings with a minimum height of 2.3 metres. At least 220mm height clearance in the ceiling cavity is required to ensure sufficient ventilation for moisture to disperse. The unit must be installed at least 250mm away from walls.

Ensure adequate inlets exist through windows, vents or under the door for airflow.

Regulations concerning the discharge of air must be fulfilled.

1. Connect the wiring to the four gang switch according to the below electrical diagram.
2. Remove the terminal cover on the heater unit and wire according to the label adjacent to the terminal block. Make sure all cables are securely connected and refit the terminal block.
3. Clean the fascia and lightings with a soft moist cloth. Turn on power and check the switch operation.



**WARNING: AN ALL-POLE DISCONNECTION MUST BE INCORPORATED INTO THE FIXED WIRING IN ACCORDANCE WITH THE WIRING RULES AS OUTLINE IN CLAUSE 7.12.2 OF AS/NZS 60335-1 FOR MEETING THE MINIMUM ELECTRICAL SAFETY OF THIS STANDARD.**

### CARE AND MAINTENANCE

- When installing the bathroom heater, please make sure the person in the bathtub or shower area can't touch the electrical switches or other electrical controllers.
- This bathroom heater must not be installed below the electrical outlet.
- This bathroom heater must not be installed near by any curtains and other combustible materials.
- The appliance must under no circumstances be covered with insulation material or similar material.
- Joists, beams and rafters shall not be cut or notched to install the appliance.
- Lamps must be cool before cleaning. To clean bulbs and surrounds, wipe with a cloth dampened with detergent or liquid glass cleaner.
- This Appliance is not intended for use by persons (including children) with reduced physical, sensory or mental capabilities, or lack of experience and knowledge, unless they have been given supervision or instruction concerning use of the application by a person responsible for their safety.
- Children should be supervised to ensure that they do not play with the appliance.
- Appliance for indoor use only.
- Ensure that fan is switched off from supply mains before removing the guard.
- National regulations concerning the discharge of air have to be fulfilled.
- Means for disconnection must be incorporated in the fixed wiring in accordance with wiring rules.

Electricians, please ensure a copy of the installation instructions is left with the end user for future reference