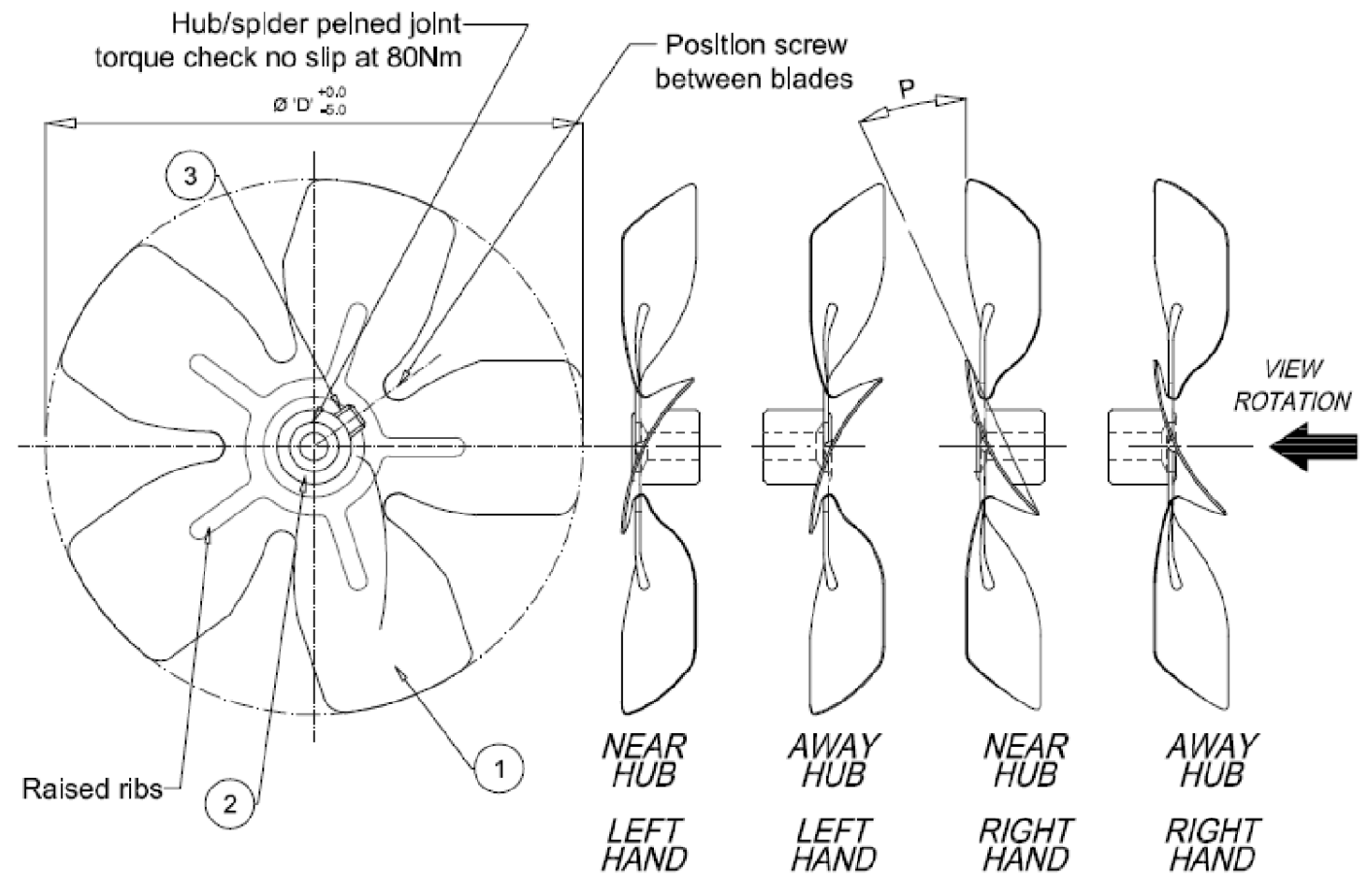
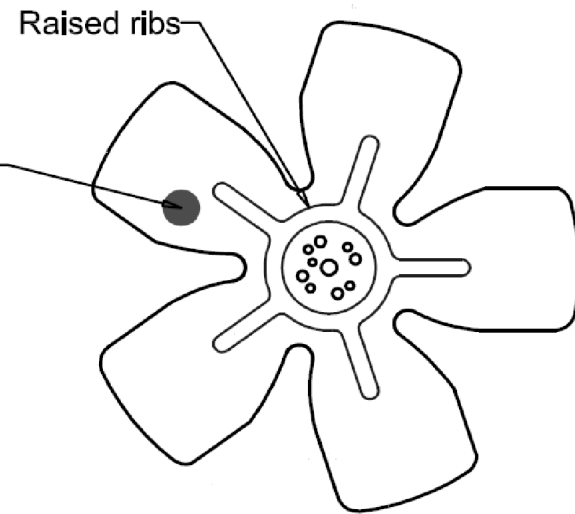


4				3				2				1			
Part number	Ø	HUB POSN	HAND	PITCH P	HUB BORE	AXIAL RUNOUT TIR MAX	POWDER COAT	HUB (2)	QTY	BLADE (1)	QTY	SCREW (3)	QTY		
PU5-229A20R56AA	229	AWAY	RIGHT	20°	6mm	2.0	---	M2171-56	1	M3112-229-20R	1	M2062-22	1		
PU5-229N20L56AA	229	NEAR	LEFT	20°	6mm	2.0	---	M2171-56	1	M3112-229-20L	1	M2062-22	1		
PU5-229W23L00AA (FAN4101QT)	229	---	LEFT	23°	---	2.0	---			M3110-229-23L	1				
PU5-229W23R00AA (FAN4100QT)	229	---	RIGHT	23°	---	2.0	---			M3110-229-23R	1				
PU5-229A25R05AA	229	AWAY	RIGHT	25°	5/16"	2.0	---	M2171-05	1	M3112-229-25R	1	M2062-2	1		
PU5-229W25R00AA	229	---	RIGHT	25°	---	2.0	---			M3110-229-25R	1				
PU5-229N30L05AA	229	NEAR	LEFT	30°	5/16"	2.0	---	M2171-05	1	M3112-229-30L	1	M2062-2	1		
PU5-229N30R05AA	229	NEAR	RIGHT	30°	5/16"	2.0	---	M2171-05	1	M3112-229-30R	1	M2062-2	1		
PU5-229W30L00AA	229	---	LEFT	30°	---	2.0	---			M3110-229-30L	1				
PU5-229N35R05AA	229	NEAR	RIGHT	35°	5/16"	2.0	---	M2171-05	1	M3112-229-35R	1	M2062-2	1		
PU5-229W35R00AA	229	---	RIGHT	35°	---	2.0	---			M3110-229-35R	1				
PU5-229N40L05AA	229	NEAR	LEFT	40°	5/16"	2.0	---	M2171-05	1	M3112-229-40L	1	M2062-2	1		
PU5-229N40R05AA	229	NEAR	RIGHT	40°	5/16"	2.0	---	M2171-05	1	M3112-229-40R	1	M2062-2	1		
PU5-229W40L00AA	229	---	LEFT	40°	---	2.0	---			M3110-229-40L	1				
PU5-229W40R00AA	229	---	RIGHT	40°	---	2.0	---			M3110-229-40R	1				



PU5-229W23L00AA
 PU5-229W23R00AA
 PU5-229W40L00AA
 PU5-229W40R00AA

Stick 12PST-R25-1
 Red round sticker here



Remarks :

1. Check rotation by facing air discharge
2. Permissible radial runout 1.8 TIR max
3. Permissible axial runout see chart

PE-M_C-0000127-MIC-1	Added new model	2017-10-17	
PE-M_C-0000117-MIC-1	Added new model	2014-04-22	
Item	MIC	Description	Date

COPYRIGHT (PER REVISION DATE) REGAL BELOIT MALAYSIA SDN. BHD. ALL RIGHTS RESERVED. PROPRIETARY AND CONFIDENTIAL INFORMATION - THIS DOCUMENT IS THE PROPERTY OF REGAL BELOIT MALAYSIA SDN. BHD. ("OWNER") AND CONTAINS OWNER'S PROPRIETARY INFORMATION. ANY PERSON, CORPORATION OR OTHER FIRM RECEIVING IT IS DEEMED, BY RECEIVING IT, TO AGREE THAT IT, AND/OR ANY PART OF IT, SHALL NOT BE DISCLOSED TO ANY PERSON, CORPORATION OR OTHER ENTITY, DUPLICATED, AND/OR USED, EXCEPT AS EXPRESSLY APPROVED IN WRITING IN ADVANCE BY OWNER. THIS DOCUMENT SHALL BE RETURNED TO OWNER UPON REQUEST. IT MAY BE SUBJECT TO CERTAIN RESTRICTIONS UNDER APPLICABLE EXPORT CONTROL LAWS AND REGULATIONS.

TOLERANCES (EXCEPT AS NOTED):	DRAWN BY HAZMER	REGAL ® Regal Beloit Malaysia Sdn. Bhd.		
REFER TO ISO 2768 T1 / v	DATE 2020.03.24			
REMOVE BURRS & BREAK SHARP EDGES:	APPROVED BY MICHAEL CHAI	DESCRIPTION 5 BLADE PROPELLER FAN		
ALL DIMENSION IN mm	DATE 2020.03.24	MATERIAL	PROCESS/FINISH	
	REFERENCE R	SIZE B	DRAWING NUMBER PU5-229etc	SHEET 1 OF 1
	THIRD ANGLE PROJECTION			