

# mizu

## Mizu Silk Wall Basin Mixer Set Kit Brushed Gunmetal (6 Star)

9512019

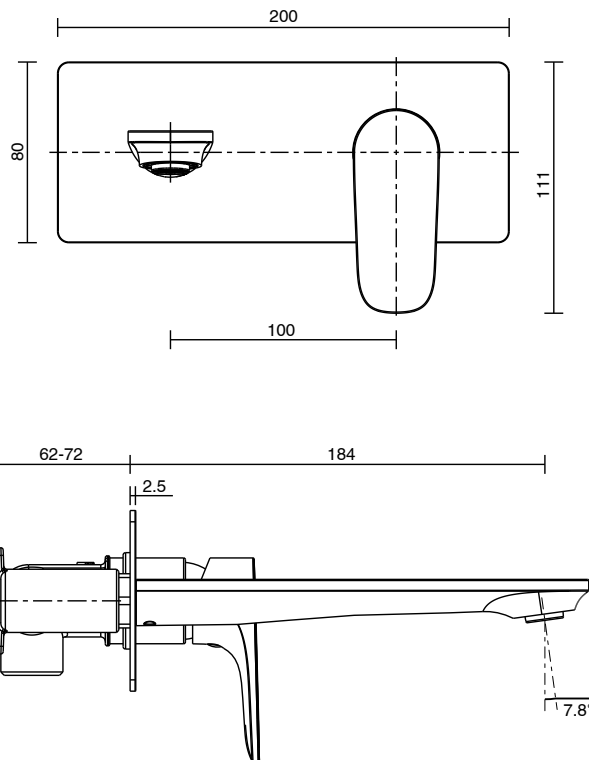
### SPECIFICATIONS

|  |                              |
|--|------------------------------|
| Recommended Use                        | Domestic, Hotel & Commercial |
| Colour                                 | Brushed Gunmetal             |
| Body Material                          | DR Brass                     |
| Recommended Pressure Range             | 150 - 500 kPa                |
| Maximum Continuous Working Temperature | 65 deg C                     |
| Suitable for Storage Tank Hot Water    | Yes                          |
| Suitable for Continuous Flow Hot Water | Yes                          |
| Suitable for Gravity Feed Hot Water    | No                           |

### WARRANTY

|                         |           |
|-------------------------|-----------|
| Warranty - Domestic Use | 10 Years  |
| Spare Parts & Labour    | 12 Months |

Please refer to Warranty Page for full Terms and Conditions



Dimensions are nominal measurements only.

### CLEANING RECOMMENDATIONS:

We recommend the use of soapy water or approved cleaners. This product should not be cleaned with abrasive materials. Damage caused by any improper treatment is not covered by the product warranty. Refer to Warranty Conditions

**Disclaimer:** Products in this specification manual must by regulation be installed by licensed and registered trade people. The manufacturer/distributor reserves the right to vary specifications or delete models from their range without prior notification. Dimensions are nominal measurements only. Dimensions and set-outs listed are correct at time of publication however the manufacturer/distributor takes no responsibility for printing errors.

Published 20/03/2024

To see the complete Mizu range go to [www.reece.com.au](http://www.reece.com.au)

