



Mizu Drift Assisted Living Straight Grab Rail 450mm Chrome

2265142

SPECIFICATIONS

Recommended Use	Domestic, Hotel & Commercial
Colour	Chrome
Material	Brass & Zinc
Weight Capacity	150 kg
Fixings	Double

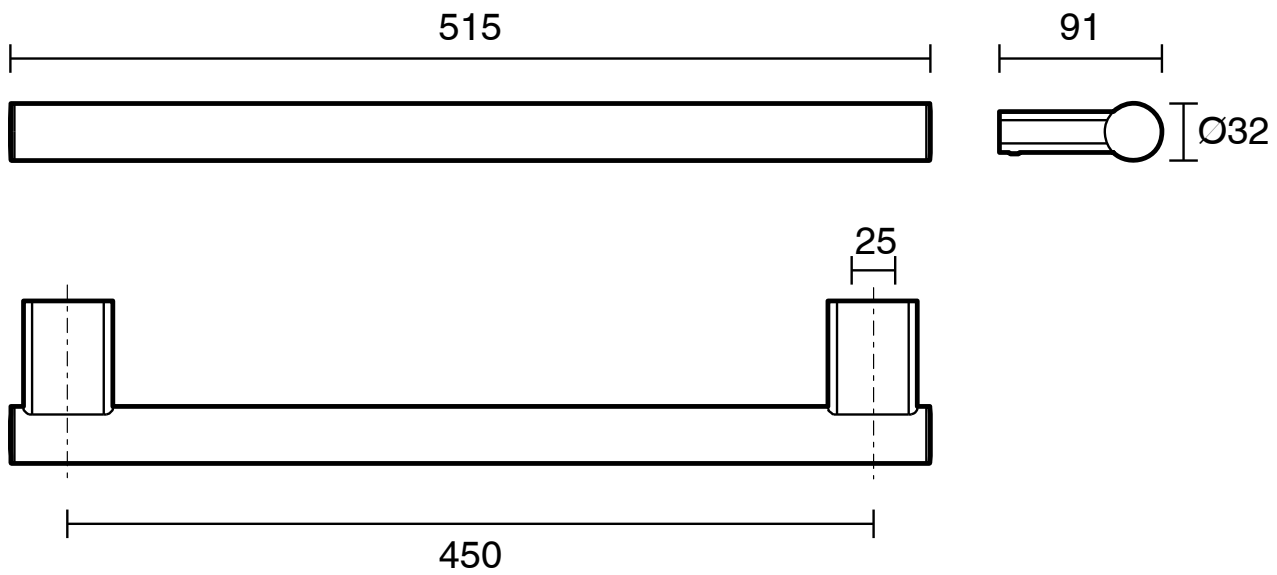
WARRANTY

Replacement Only - Domestic Use	10 Years
Parts Replacement Only	12 Months

Please refer to Warranty Page for full Terms and Conditions



Note: The Mizu Drift Assisted Living range is not intended for installation in AS 1428 spaces. Consult with a Reece showroom representative for any AS 1428 requirements.



Dimensions are nominal measurements only.

CLEANING RECOMMENDATIONS:

We recommend the use of soapy water or approved cleaners. This product should not be cleaned with abrasive materials. Damage caused by any improper treatment is not covered by the product warranty. Refer to Warranty Conditions

Disclaimer: Products in this specification manual must by regulation be installed by licensed and registered trade people. The manufacturer/distributor reserves the right to vary specifications or delete models from their range without prior notification. Dimensions are nominal measurements only. Dimensions and set-outs listed are correct at time of publication however the manufacturer/distributor takes no responsibility for printing errors.

Published 21/03/2024

To see the complete Mizu range go to www.reece.com.au

