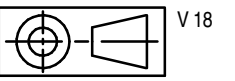


FASCO MOTORS MAY PROVIDE TECHNICAL ASSISTANCE TO OUR CUSTOMERS IN MANY AREAS. HOWEVER, SINCE FASCO MOTOR IS NOT AWARE OF ALL DATA CONCERNING THE USE AND APPLICATION OF THIS MOTOR, THE FITNESS OF THE MOTOR FOR THE APPLICATION MUST BE DETERMINED BY AND IS THE RESPONSIBILITY OF THE CUSTOMER.



V 18

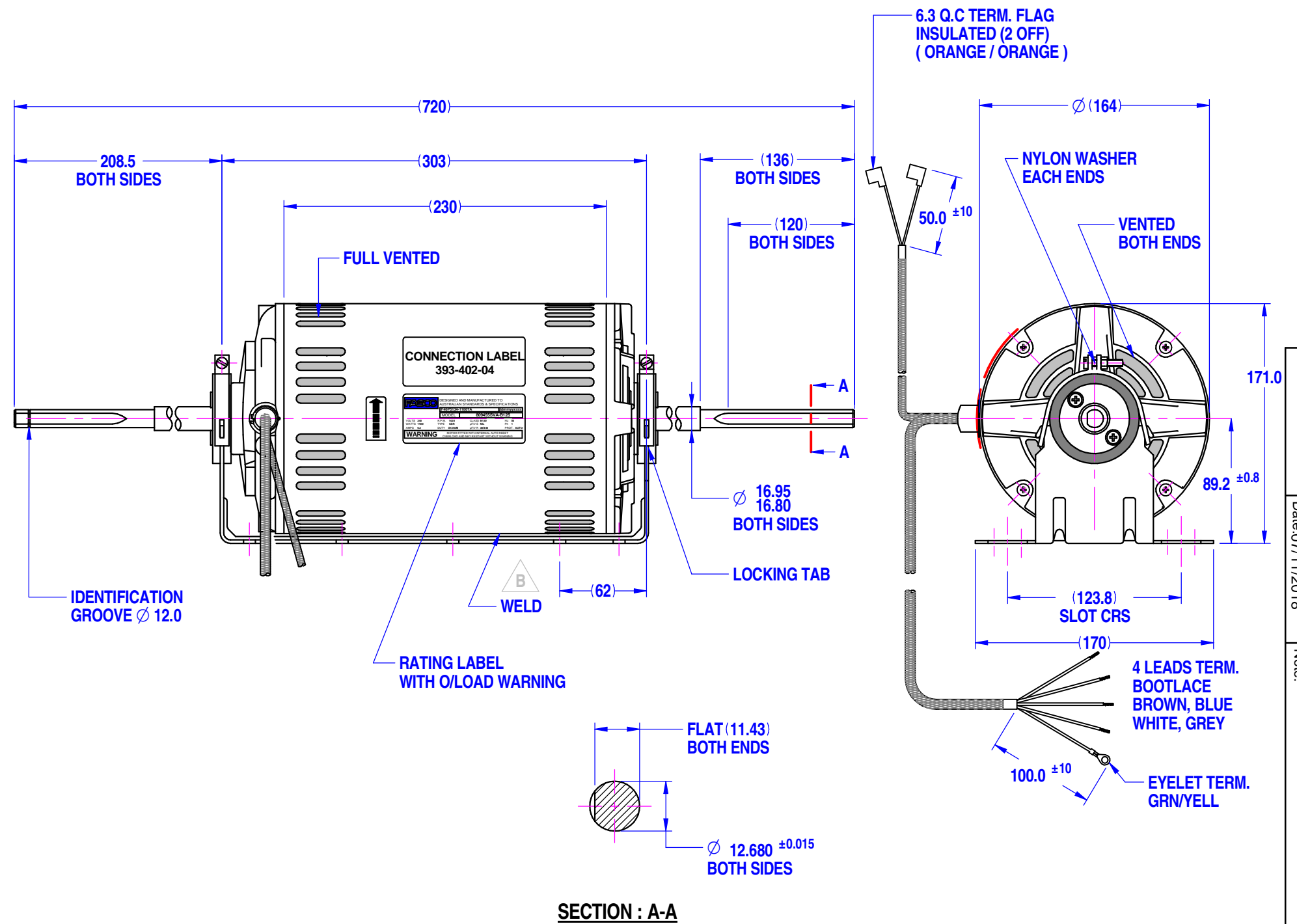
MOTOR SPECIFICATION

809455SVA-B12S

Q.R. No.	7450-2	CUSTOMER NO.	F40P5134-1100TA					
CUSTOMER	FASCO AUSTRALIA							
MOTOR RATING	VOLTS	240	Hz	50	Ph	1	Duty	S1 AOM
	RPM.	1420		6.3			AMPS	
	NOM. OUTPUT	1100 WATTS						
ROTATION	ANTI CLOCK WISE AT LEAD END							
CAPACITOR	START	-----	μF/V	RUN	30/440	μF/V		
ENCLOSURE	VENTED							
MOTOR TYPE	CSR	INSULATION CLASS	B					
THERMAL PROTECTION	AUTO RESET OVERLOAD							
APPLICATION	FAN - SHAFT HORIZONTAL							
BEARING D.E.	6204 ZZ	LUBRICATION	LONG LIFE, WIDE RANGE					
BEARING N.D.E.	6203 ZZ							
SUPPLY LEAD	SINGLE CORE 1500±30 BRAIDED SLEEVING							
EARTH PROVISION	VIA SUPPLY LEAD							
BASIC BUILD SPECIFICATION	470-054-01	PAINT/ COLOUR	PC GREY PLAIN E/SHIELD					
PERFORMANCE SPECIFICATION	SP94074-01							
CONNECTION DIAGRAM	393-446-03	RATING LABEL	SSTDAUTO.FMT					

FINAL INSPECTED MOTORS MUST COMPLY WITH ELECTRIC MOTOR VIBRATION SPECIFICATION (ES049)

THIRD ANGLE PROJECTION.



DESIGNED AND MANUFACTURED TO AUSTRALIAN STANDARDS & SPECIFICATIONS

F40P5134-1100TA ddmmyyxxxx

MODEL 809455SVA-B12S

VOLTS 240	R.P.M. 1420	CLASS B130	Hz 50
WATTS 1100	TYPE CSR	μF/V S NIL	Ph 1
AMPS 6.3	DUTY S1/AOM	μF/V R 30/440	PROT. AUTO

WARNING

MOTOR FITTED WITH INTERNAL AUTO RESET OVERLOAD AND MAY RESTART WITHOUT WARNING

SPECIAL REQUIREMENTS:
1)_CAPACITOR SUPPLIED BY CUSTOMER.

UNLESS OTHERWISE SPECIFIED :
DIMENSIONS ARE IN MM.
TOLERANCES

DECIMALS	ANGULAR
.X ± 1.0	± 30'
.XX ± 0.1	

THIS DRAWING REMAINS THE PROPERTY OF FASCO MOTORS AND MAY NOT BE USED, COPIED OR ISSUED WITHOUT WRITTEN PERMISSION FROM FASCO MOTORS

MOTOR WEIGHT	20.2 kg.	
DRAWN	Pongpun	10/05/2010
CHECKED	Pipat	16/11/2018
RELEASED	Suksakorn	16/11/2018
SCALE	N.T.S.	



29/7-8 MOO 3, BANGKRUAY - SAINOI Rd.,
BANGKRANG, MUANG NONTABURI DISTRICT,
NONTABURI 11000 THAILAND

FRAME	MOTOR	
STATUS	R	
SHEET	B074:9455V1100-GDD	
A3	DWG. NO.	809455SVA-B12S
	REVISION	C

MIC1804207

By: Veeranut
Date:07/11/2018

MIC : C: Remove C-tick mark from sale drawing.