

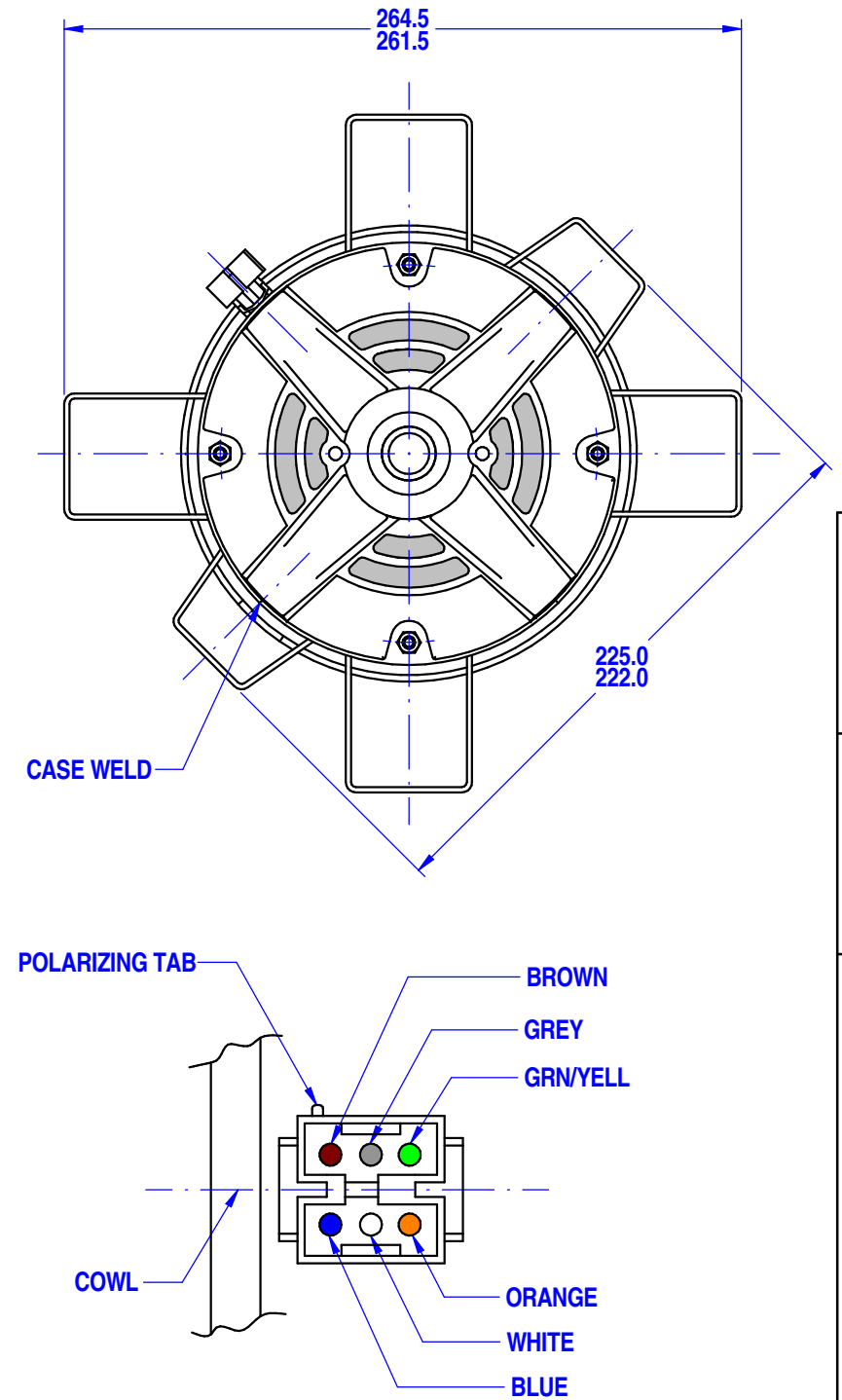
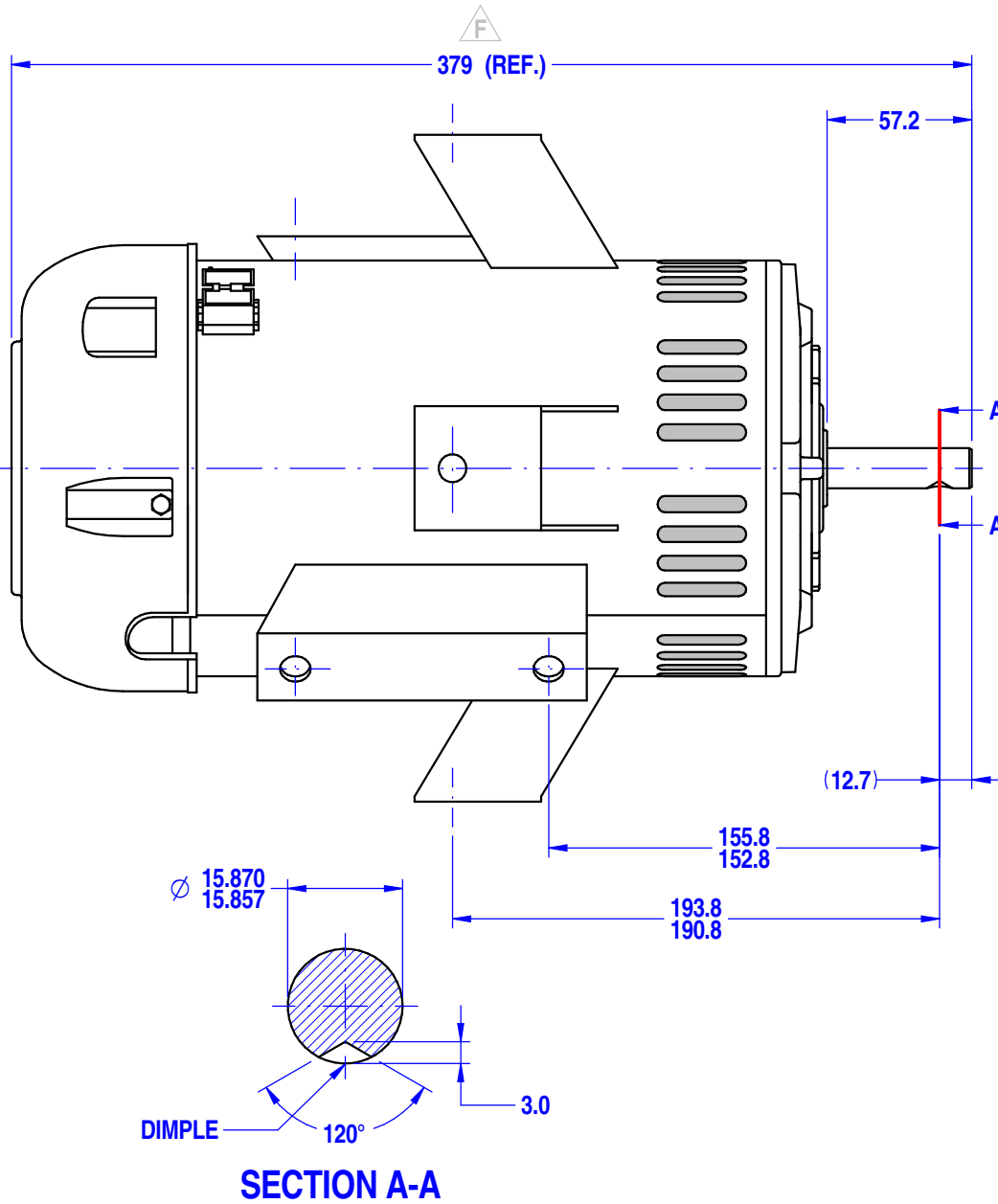
MOTOR SPECIFICATION

809455SVB-B17

Q.R. No.	Y001127	CUSTOMER NO.	2481393SP
CUSTOMER	SOUTHCORP		
MOTOR RATING	VOLTS	240	Hz 50 Ph 1 Duty S1 AOM
	MAX. INPUT	1400	6.2 AMPS
	NOM. OUTPUT	1500 WATTS	
ROTATION	CLOCKWISE AT DRIVE END		
CAPACITOR	START	NIL	μF/V RUN 25/440 μF/V
ENCLOSURE	VENTED		
MOTOR TYPE	CSR	INSULATION CLASS	B130
THERMAL PROTECTION	AUTO RESET OVERLOAD		
APPLICATION	EVAP.COOLER - SHAFT HORIZONTAL		
BEARING D.E.	6204 ZZ	LUBRICATION	LONG LIFE, WIDE RANGE
BEARING N.D.E.	6203 ZZ		
SUPPLY LEAD	-----		
EARTH PROVISION	VIA TERMINAL BOX		
BASIC BUILD SPECIFICATION	470-119-01	PAINT/ COLOUR	PC GREY PLAIN E/SHIELDS
PERFORMANCE SPECIFICATION	SP94091-01		
CONNECTION DIAGRAM	393-402-07	RATING LABEL	SSTDAUTO.FMT

FINAL INSPECTED MOTORS MUST COMPLY WITH ELECTRIC MOTOR VIBRATION SPECIFICATION (ES049)

THIRD ANGLE PROJECTION.



DESIGNED AND MANUFACTURED TO AUSTRALIAN STANDARDS & SPECIFICATIONS

2481393SP ddmmyyxxxx
MODEL 809455SVB-B17

VOLTS 240 R.P.M. 1400/1190/830 CLASS B130 Hz 50
WATTS 1500 TYPE CSR μF/V S NIL Ph 1
AMPS 6.2/5.0/3.7 DUTY S1 AOM μF/V R 25/440 PROT. AUTO

WARNING MOTOR FITTED WITH INTERNAL AUTO RESET OVERLOAD AND MAY RESTART WITHOUT WARNING

87.0



DESIGNED AND MANUFACTURED TO AUSTRALIAN STANDARDS & SPECIFICATIONS

MODEL 809455SVB-B17

VOLTS 240 R.P.M. 1420/1230/910 CLASS B130 Hz 50
WATTS 1200 TYPE CSR μF/V S NIL Ph 1
AMPS 5.8/4.6/3.6 DUTY S1 AOM μF/V R 15/440 PROT. AUTO

WARNING MOTOR FITTED WITH INTERNAL AUTO RESET OVERLOAD AND MAY RESTART WITHOUT WARNING

SPECIAL REQUIREMENTS:

- RATING LABELS TO BE SUPPLIED LOOSE WITH EACH MOTOR AS FOLLOWED.
"1200 W" BY 809455SVB-B17. (DOTTED), "1500 W" BY 809455SVB-B17 (NOM)
- RATING LABEL DATA SUPPLIED BY CUSTOMER.

UNLESS OTHERWISE SPECIFIED : DIMENSIONS ARE IN MM. TOLERANCES

DECIMALS	ANGULAR
.X ± 1.0	± 30'
.XX ± 0.1	

THIS DRAWING REMAINS THE PROPERTY OF FASCO MOTORS AND MAY NOT BE USED, COPIED OR ISSUED WITHOUT WRITTEN PERMISSION FROM FASCO MOTORS

MOTOR WEIGHT

19.2

kg.

DRAWN	Veeranut	07/11/2018
CHECKED	Pipat	15/11/2018
RELEASED	Suksakorn	25/12/2018
SCALE	N.T.S.	



29/7-8 MOO 3, BANGKRUAY - SAINOI Rd., BANGKRANG, MUANG NONTABURI DISTRICT, NONTABURI 11000 THAILAND

FRAME

STATUS R

SHEET

A3

MOTOR

B091:9455V-1500-HAD:ILEC

DWG. NO.

809455SVB-B17

REVISION

G