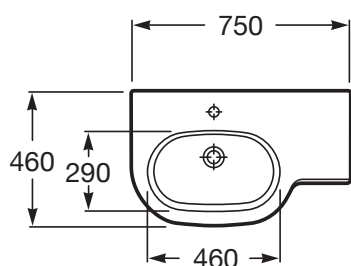
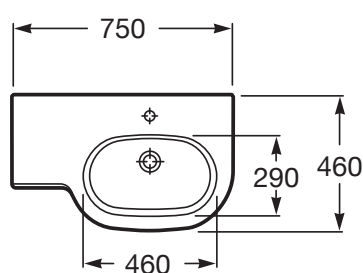
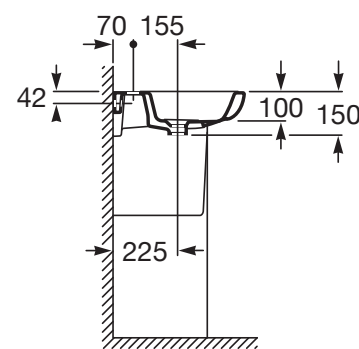
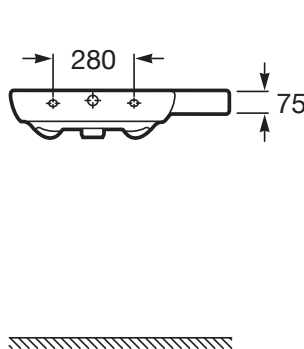


ROCA

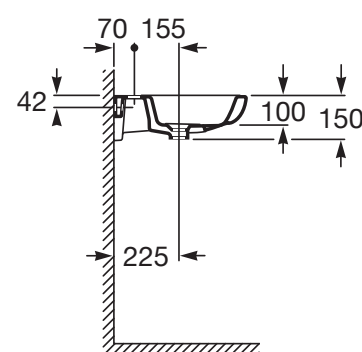
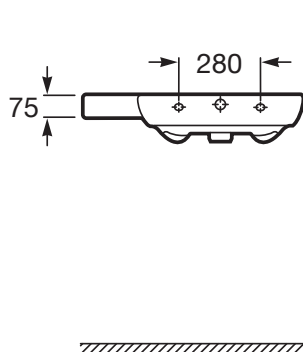
MERIDIAN WALL BASIN 750



Left Hand Bowl



Right Hand Bowl



Dimensions are nominal measurements only.

SPECIFICATIONS

Recommended Use	Domestic, hotel or commercial
Material	Ceramic
Colour	White
Integral Overflow	Yes
Taphole	1 Taphole
Bowl Configuration	Left Hand Bowl or Right Hand Bowl
Capacity	5.5 litres
Weight	17.9kg
Plug & Waste	Suits 32 x 40mm overflow waste
Fixing	Wall mounted (Basin fixing bolts supplied)



To see the complete Roca range go to
www.reece.com.au/bathrooms

CLEANING RECOMMENDATIONS

We recommend the use of soapy water or approved cleaners.

This product should not be cleaned with abrasive materials.

Damage caused by any improper treatment is not covered by the product warranty - refer to Warranty Conditions.

Disclaimer: Products in this specification manual must by regulation be installed by licensed and registered trade people. The manufacturer/distributor reserves the right to vary specifications or delete models from their range without prior notification. Dimensions and set-outs listed are correct at time of publication however the manufacturer/distributor takes no responsibility for printing errors.

Tech Page Version 2

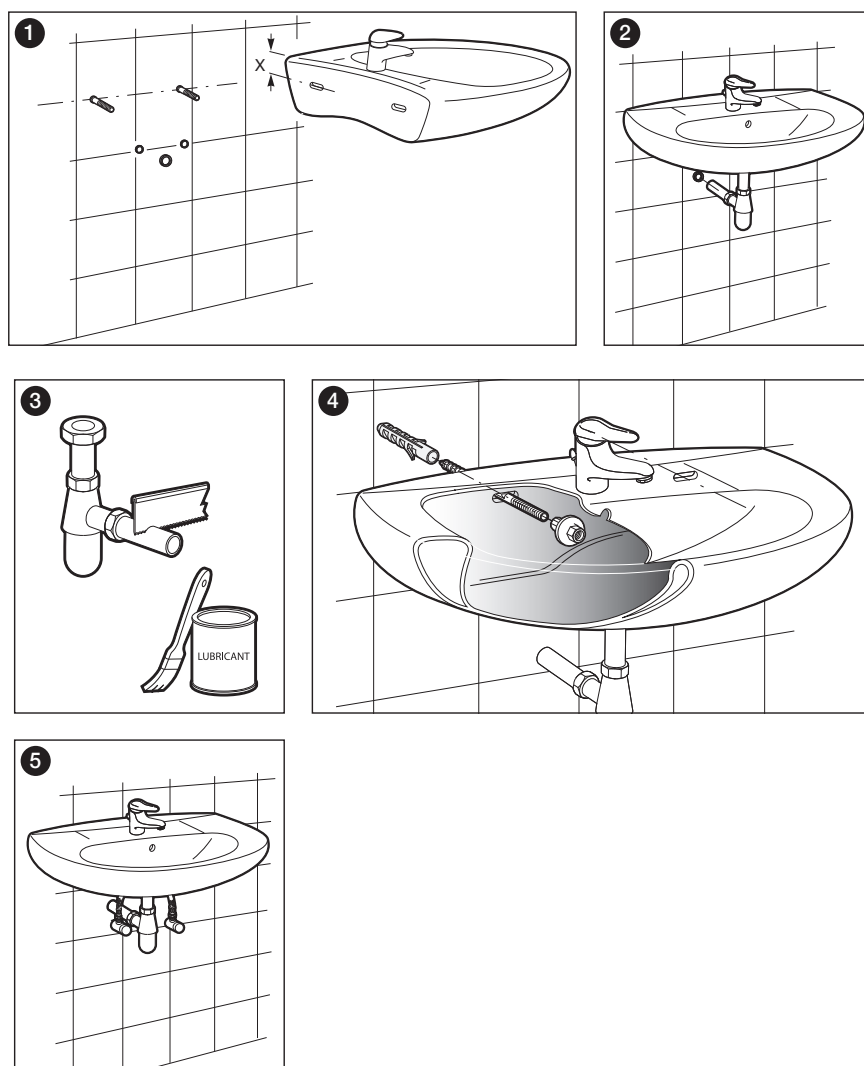
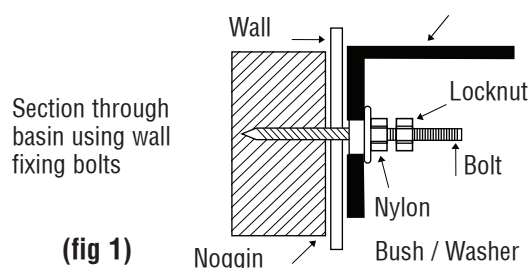
ROCA

MERIDIAN WALL BASIN 750

INSTALLATION

Note: If fixing to timber framed wall or partitioning, the wall should be reinforced with noggins to receive fixing bolts/screws.

- Drill holes into wall and install fixing bolts supplied (fig 1).
- Fit selected tapware to basin. Fit the supplied overflow waste to basin ensuring it is sealed with silicone.
- Carefully align basin complete with fittings onto protruding bolts.
- Insert nylon bushes and locking nut and partially tighten lock nuts to hold basin into position. Make minor adjustments at this stage to ensure basin is level and then fully tighten lock nuts. Do not over tighten.
- All visible external edges are to be joint sealed using flexible sealant ensuring to wipe off any excess.



Plumbers, please ensure a copy of the installation instructions is left with the end user for future reference