

NOTE: REGAL AUSTRALIA IS HAPPY TO PROVIDE TECHNICAL ASSISTANCE TO OUR CUSTOMERS IN MANY AREAS. HOWEVER, SINCE REGAL AUSTRALIA IS NOT AWARE OF ALL DATA CONCERNING THE USE AND APPLICATION OF THIS MOTOR, THE SUITABILITY OF THE MOTOR FOR THE APPLICATION MUST BE DETERMINED BY AND IS THE RESPONSIBILITY OF THE CUSTOMER.



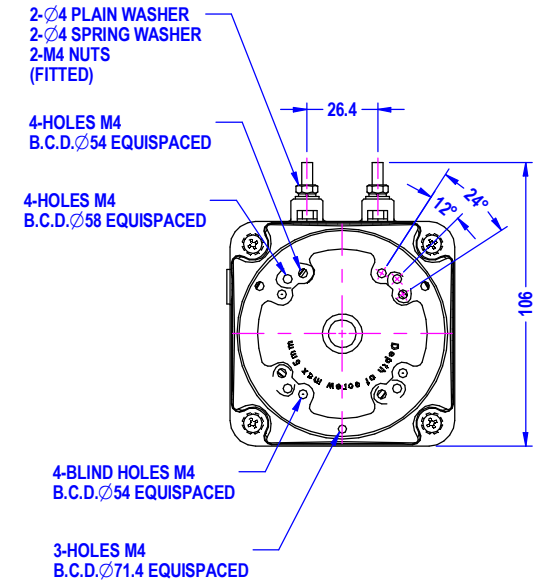
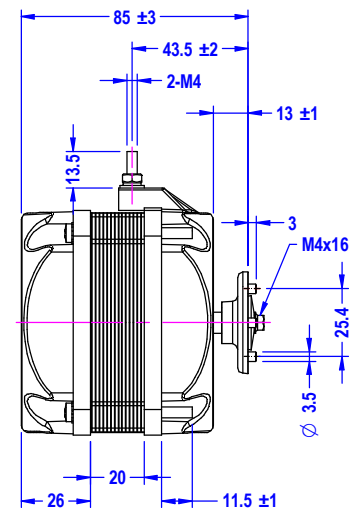
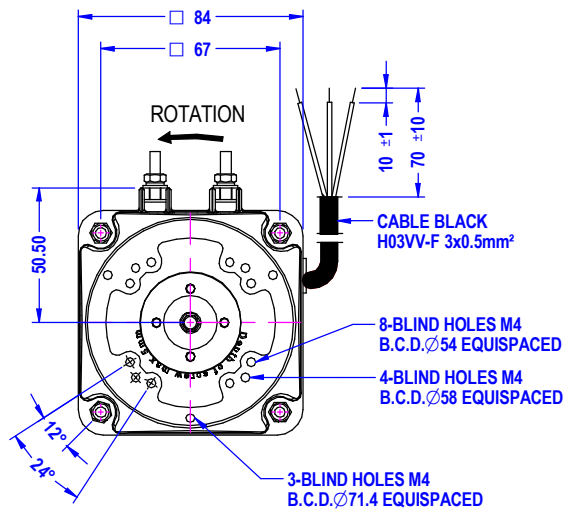
MOTOR SPECIFICATION

| | | | | |
|--|------------------------------------|----------------------|--------|-------|
| CUSTOMER | | | | |
| CUSTOMER P/N | | | | |
| QR No. | | CAPACITOR | uf / V | |
| POWER OUTPUT | 10W | START | NIL | |
| MOTOR TYPE | | RUN | NIL | |
| SUPPLY | VOLTS | HERTZ | PHASE | POLES |
| | 240 | 50 | SINGLE | 4 |
| ENCLOSURE | TOTALLY ENCLOSED | | | |
| SPEED (RPM) AT RATED OUTPUT | 1300 | WINDING TYPE | | |
| ROTATION | ANTI-CLOCKWISE (DRIVE END) | | | |
| INSULATION CLASS | F | DUTY | S1 | |
| THERMAL PROTECTION | AUTO RESET | | | |
| RATED CURRENT | 0.36 | AMPS AT RATED OUTPUT | | |
| APPLICATION | FAN DRIVE | | | |
| MOUNTING | TAPPED HOLES IN ENDSHIELD OR STUDS | | | |
| BEARING & LUBRICATION | BALL BEARING | | | |
| SUPPLY LEAD | COLOUR | BLACK | | |
| | LENGTH | 1500 ±40 | | |
| <input checked="" type="checkbox"/> MULTI STRAND <input type="checkbox"/> SINGLE CORE | TERMINALS | | | |
| | Q.C. HOUSING | | | |
| EARTH PROVISION | | | | |
| BASIC BUILD SPECIFICATION | | | | |
| PERFORMANCE SPECIFICATION | | | | |
| SHAFT MATERIAL | 1045 STEEL | | | |
| CONNECTION DIAGRAM | | PAINT SPEC | | |

SPECIAL REQUIREMENTS

- ATTACH PLASTIC BAG TO LEAD CONTAINING THE FOLLOWING :
 4-OFF M4x8mm PAN HEAD PHILLIPS DRIVE ZP PLATED SCREWS
 4-OFF DIA.4mm EXTERNAL SHAKEPROOF ZP PLATED WASHERS

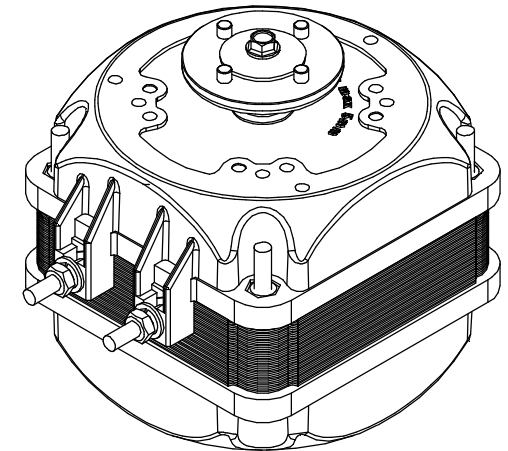
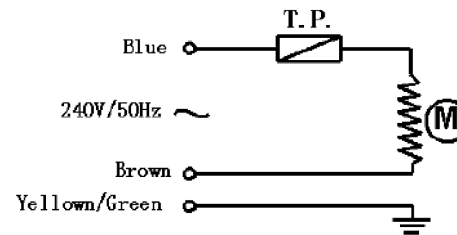
DO NOT SCALE PRINT



LABEL:

FASCO Model:55D510-80AT
 240V 50Hz 0.36A 10W Duty AOM
 CLASS F 1300rpm ThProt 07.21.17

CONNECTION DIAGRAM



| | |
|---|------------|
| DIMENSIONS IN mm UNLESS OTHERWISE SPECIFIED | |
| GENERAL TOLERANCES | |
| LINEAR: | X = ±1.0 |
| | XX = ±0.25 |
| | XXX = ±0.1 |
| ANGULAR: | X = 2° |
| | XX = ±0.5° |
| SURFACE FINISHES IN MICRO METRES. MAX 3.0 | |
| SYMBOLS - A.S. 1100 | |

This drawing remains the property of Regal Australia Pty. Ltd. No part or parts of this drawing may be reproduced without written permission.

| | | |
|----------|----------|------------|
| MAT'L | | |
| FINISH | | |
| DRAWN | Veeranut | 02/10/2018 |
| CHECKED | Roshan | 02/10/2018 |
| RELEASED | | |
| SCALE | NTS | |

REGAL
 19 Corporate Avenue
 Rowville, Melbourne
 Victoria 3178, Australia

| | | | |
|--------|----------|-------------|----------|
| FRAME | MOTOR | | REVISION |
| STATUS | 4P 10W | | |
| SHEET | DWG. NO. | 55D510-80AT | A |
| A3 | | | |

MIC No. By: Veeranut Date: 02/10/2018 MIC A: NEW MODEL RELEASED Note: