

BARREN WATERLESS URINAL

1.08

URINALS

#UBW / BARREN WATERLESS URINAL



Scan QR code to view online



Image shows Model UBW Fully Waterless Urinal.

features and benefits

- WELS and WaterMark certified
- Satin stainless body and mirror stainless bowl
- No cartridge, bio-block or sealant fluids required
- The cheapest waterless urinal to maintain
- Ultra vandal resistant waterless urinal
- Fully concealed plumbing connections
- Option for periodic cleaning device
- Quick and easy to install
- Waterless and AutoClean models available

about

The *BRITEX Barren Waterless Urinal* is a contemporary looking urinal which provides enormous water saving benefits without compromising on aesthetics. Key to the Barren is its unique outlet that requires no costly replaceable cartridge, sealant fluid or biological block. Instead, the Barren utilises a self-sealing one-way diaphragm that allows urine to pass, whilst trapping odours within the plumbing. Robust in construction but sleek in profile, the Barren Waterless Urinal is highly vandal resistant, easily retrofitted and is also available in an Auto Clean model with timer-activated cleansing device. Perfect for public toilets, clubs and hotels. WaterMark certified as required by plumbing regulations.

sample spec. text

BRITEX 'Barren' Stainless Steel Waterless/Mist/AutoClean Urinal Pod - WaterMark Level 1 certified, supplied complete with Waterless one-way valve outlet - Product Code UBW/UBWM/UBWAC

*RED TEXT may denote a **variable** where one option only is to be selected, a **nominal dimension** that needs to be specified, or an **optional feature** that can be removed if not required. Please refer to the back of this page for additional specification details and options.

VISIT BRITEX.COM.AU TO DOWNLOAD BIM FILES, CAD DRAWINGS AND THE MOST CURRENT PRODUCT LITERATURE.



MELBOURNE
Britex Place, Mirra Crt
Bundoora VIC 3083
t (03) 9466 9000
f (03) 9466 9011

SYDNEY
16 Northumberland Drv
Taren Point NSW 2229
t (02) 9531 2100
f (02) 9531 2800

PERTH
Unit 1/8 Principal Link
Malaga WA 6090
t (08) 9249 5464
f (08) 9248 6893

BRISBANE
19 Manila St
East Brisbane QLD 4169
t (07) 3363 2400
f (07) 3363 2444

ADELAIDE
The Britex Group
SA State Office
t 1300 764 744
f 1300 784 306

britex.com.au | info@britex.com.au | A.B.N 83 004 309 737

BARREN WATERLESS URINAL

1.08

URINALS

#UBW / BARREN WATERLESS URINAL

PRODUCT CODE

UBW
FULLY WATERLESS
- No water connection

UBWM
MIST URINAL - Supplied
with water connection only.
Flush not included.

UBWAC
AUTO CLEAN - Automatic
Periodic Cleaning Model -
Supplied with Britex Hygiene
Clean (FHC: p 3.03) & 450mm
flexible braided hose.

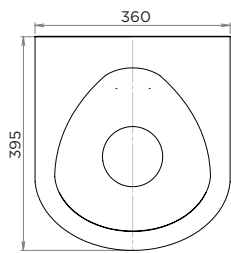
**Suggested Mounting
Heights:**

Dimension from finished floor
to front edge/rim of urinal

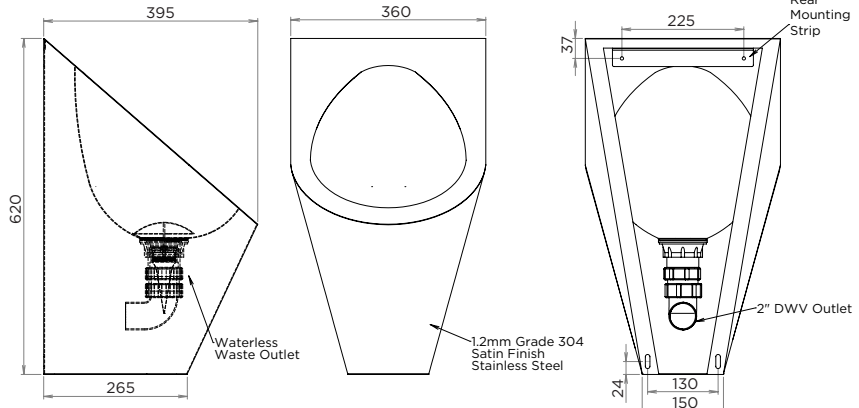
Adults - 610 mm
Juniors - 510 mm

NB: Heights are suggestions
only, subject to suitability
of users for each individual
project.

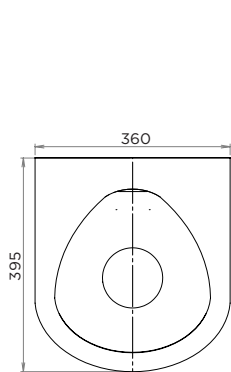
Internal waste connection can be accessed through a void in
the underside of the urinal body = 110mm x 200mm.



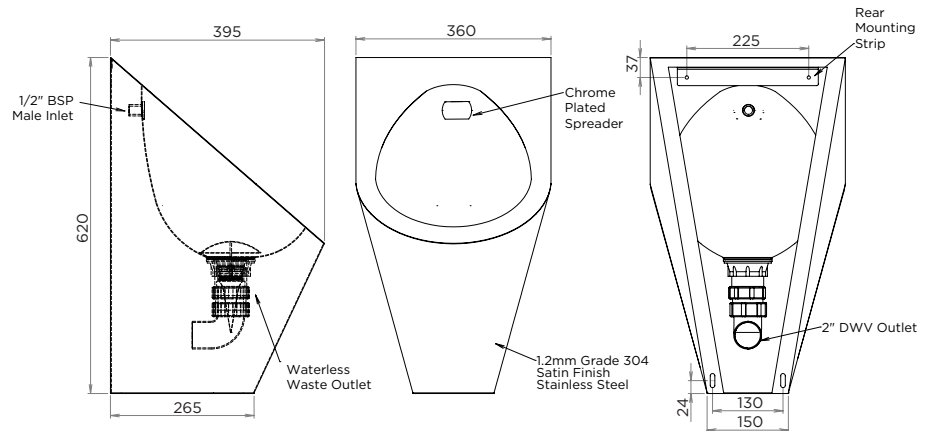
MODEL UBW Plan



MODEL UBW Section, Front Elevation and Rear Elevation



MODEL UBWM / UBWAC Plan



MODEL UBWM / UBWAC Section, Front Elevation and Rear Elevation

**When specifying this
product please include:**

- Product **Name** and **Code**
- Product **Features**
- Product **Dimensions**

specifying
guide

options

- Model Type

VISIT BRITEX.COM.AU TO DOWNLOAD BIM FILES, CAD DRAWINGS AND THE MOST CURRENT PRODUCT LITERATURE.



britex.com.au | info@britex.com.au | A.B.N 83 004 309 737

Due to ongoing research and our commitment to product
development, details are subject to change without notice.
Details accurate at time of print.
Please refer to britex.com.au for the most current product information.
Allow +/- 5mm tolerance for dimensions and setouts shown in product literature.

