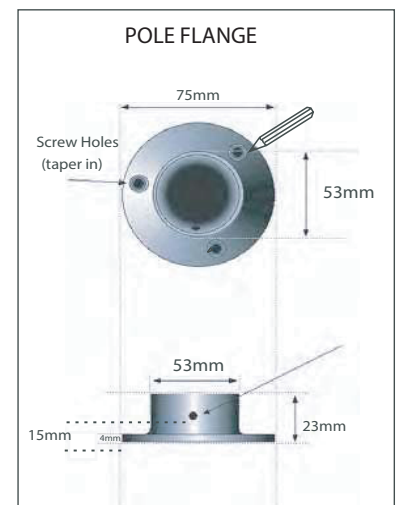
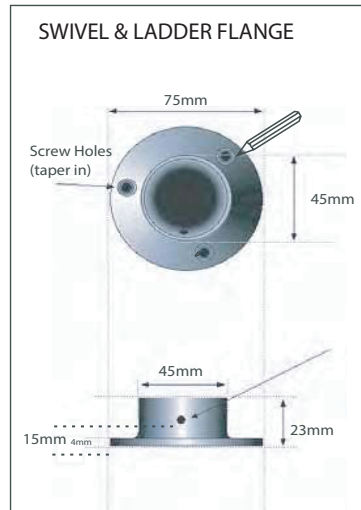




## Milli Pure Non Heated Towel Rail Floor to Ceiling 550mm

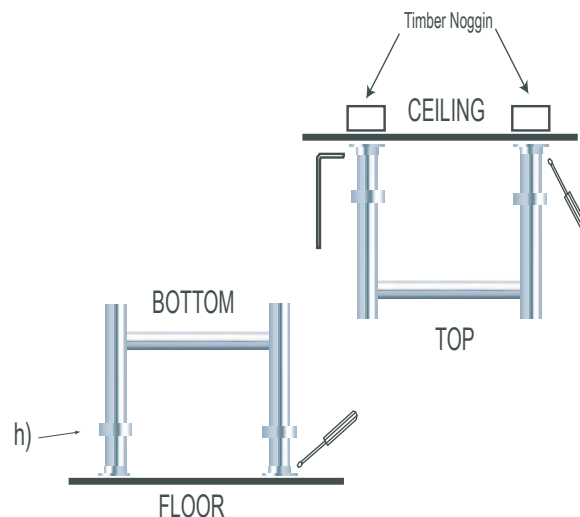
### STEP 1 - Pre-drilling

- Position flanges onto rail and place on floor/ceiling in desired position. Square off from wall and mark screw holes with pencil.
- Repeat for top flanges on ceiling.
- Remove rail and pre-drill screw holes with drill.



### STEP 2 - Positioning Rail

- Slide flange cover plates over legs at top and bottom.
- Relocate rail in desired position with flanges connected (loose).
- Using screwdriver/drill secure screws in pre-drilled holes. Both top and bottom.
- Screw in grub screws with alen key provided.
- Push Down on cover plates at either end to secure into place.
- Towel Rail is now ready to be connected by licensed electrician.





## Milli Pure Non Heated Towel Rail Floor to Ceiling 550mm

### WARNING

This product must be installed by a qualified electrician in accordance with AS/NZS 3000 wiring rules. Switch off the electrical supply at the mains before installation and maintenance. A means of disconnection must be incorporated in the fixed wiring in accordance with the wiring rules. Suitable for bathroom and non-bathroom/dry areas. Not suitable for above baths, nor for installation in saunas, steam rooms or shower cubicles. Please consult with a qualified electrician to confirm appropriate compliant installation location.

Do not connect to a plug and socket outlet. Rated IPX5 and suitable for indoor use only. Do not fix to damp or conductive surfaces. Site well away from curtains and fabrics. Switch off after use. Do not leave on for prolonged periods. This appliance is not to be used by persons (including children) with reduced physical, sensory or mental capabilities.

**Please consult with a qualified electrician to confirm appropriate compliant installation location.**



### WARNING:

This appliance is not intended for use by young children or infirm persons without supervision.

### CAUTION:

The cord extension set must be positioned so that it is not subject to splashing or ingress of moisture.

The supply shall have means for disconnection with an air gap in all active conductors incorporated in the fixed wiring according to the Wiring Rules in AS/NZS 3000:2000.

### CLEANING RECOMMENDATIONS

We recommend the use of soapy water or approved cleaners.

This product should not be cleaned with abrasive cleaners.

Damage caused by improper treatment is not covered by the product warranty. Refer to Warranty Conditions.

**Please ensure a copy of the installation instructions is left with the end user for future reference.**