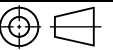


NOTE: REGAL AUSTRALIA IS HAPPY TO PROVIDE TECHNICAL ASSISTANCE TO OUR CUSTOMERS IN MANY AREAS. HOWEVER, SINCE REGAL AUSTRALIA IS NOT AWARE OF ALL DATA CONCERNING THE USE AND APPLICATION OF THIS MOTOR, THE SUITABILITY OF THE MOTOR FOR THE APPLICATION MUST BE DETERMINED BY AND IS THE RESPONSIBILITY OF THE CUSTOMER.

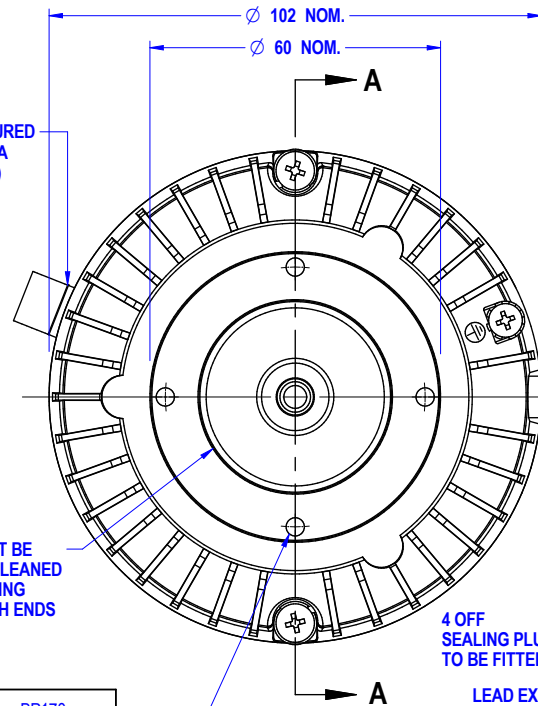


MOTOR SPECIFICATION

CUSTOMER				
CUSTOMER P/N				
QR No.		CAPACITOR	uf / V	
POWER OUTPUT	15W	START	NIL	
MOTOR TYPE	SH/POLE	RUN	NIL	
SUPPLY	VOLTS	HERTZ	PHASE	POLES
	240	50	SINGLE	4
ENCLOSURE	TOTALLY ENCLOSED			
SPEED (RPM) AT RATED OUTPUT	1300	WINDING TYPE		
ROTATION	ANTI-CLOCKWISE (DRIVE END)			
INSULATION CLASS	F 155	DUTY	AOM	
THERMAL PROTECTION	AUTO RESET			
RATED CURRENT	0.3	AMPS AT RATED OUTPUT		
APPLICATION	FAN DRIVE			
MOUNTING	TAPPED HOLES IN ENDSHIELD			
BEARING & LUBRICATION	608ZZ WIDE RANGE, LONG LIFE		ROTOR END RINGS	
	COLOUR	WHITE - PVC	ALUMINIM GRADE	BP170
SUPPLY LEAD	LENGTH	700 ⁺⁵⁰ ₋₀	RADIAL SKEW ANGLE	18° ±1.0°
	TERMINALS	PLUG - 3 PIN	END RING No.1 DRAWING	306-073-31
	Q.C. HOUSING	NIL	END RING No.2 DRAWING	306-073-30
	<input checked="" type="checkbox"/> MULTI STRAND			
<input type="checkbox"/> SINGLE CORE				
EARTH PROVISION	VIA SUPPLY LEAD			
BASIC BUILD SPECIFICATION		WINDING		
PERFORMANCE SPECIFICATION		WIRE	0.28PEI-2	
SHAFT MATERIAL	SS420		TURNS	760
CONNECTION DIAGRAM	NIL	PAINT SPEC	BLACK	OHMS
				120

LEAD TO BE SECURED TO ENDSHIELD VIA P-CLIP (P/N 01708) OR EQUIVALENT

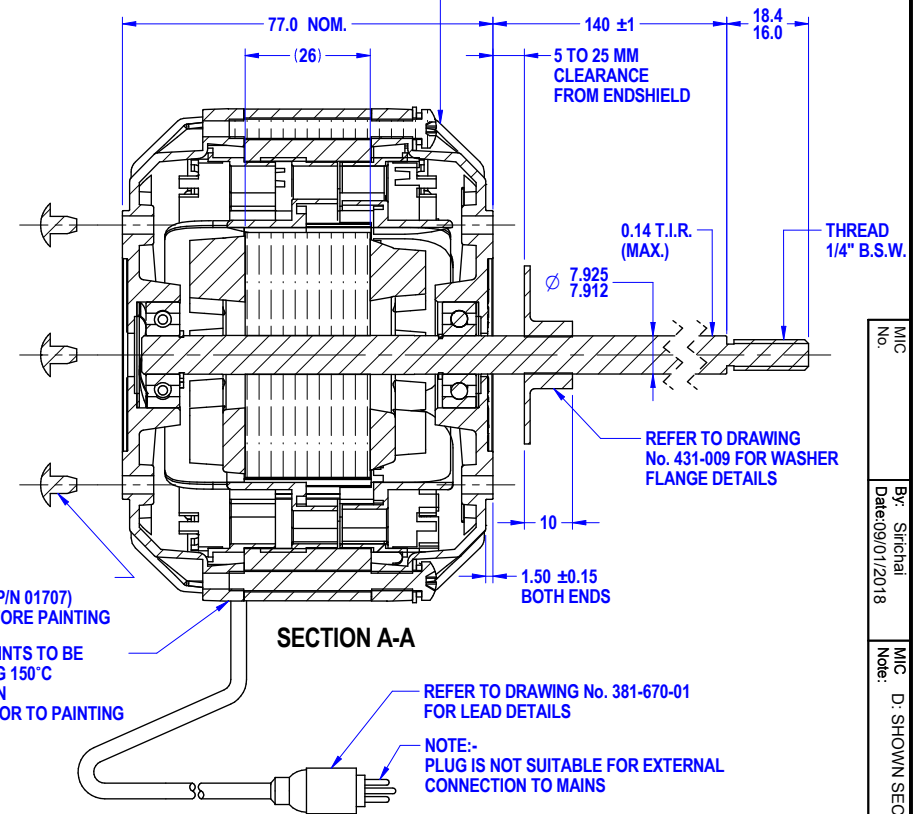
SURFACES MUST BE THOROUGHLY CLEANED PRIOR TO AFFIXING LABELS AT BOTH ENDS



4 HOLES 3/16" BSW EQUISPACED ON 54.00 PCD (BOTH ENDS)

DO NOT SCALE PRINT

NOTE: REFER TO DE0034 FOR ENDSHIELD MACHINING.



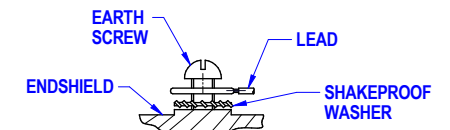
SECTION A-A

4 OFF SEALING PLUGS (P/N 01707) TO BE FITTED BEFORE PAINTING

LEAD EXIT POINTS TO BE SEALED USING 150°C RATED SILICON ADHESIVE PRIOR TO PAINTING

REFER TO DRAWING No. 381-670-01 FOR LEAD DETAILS

NOTE:- PLUG IS NOT SUITABLE FOR EXTERNAL CONNECTION TO MAINS



Q.C. EARTH POINT

MIC No. By: Srital Date: 09/01/2018 MIC D: SHOWN SECTION A-A

- SPECIAL REQUIREMENTS**
- 1) PLACE IN PLASTIC BAG AND ATTACH TO LEAD
4 - SCREWS 3/16" BSW x 8.0mm PAN POSI HD.
4 - SHAKEPROOF EXTERNAL WASHER 5mm I.D.
 - 2) PAINTSPEC BLACK.
 - 3) SINGLE CARTON, 4-MOTORS IN PLAIN BOX.

DIMENSIONS IN mm UNLESS OTHERWISE SPECIFIED
GENERAL TOLERANCES
LINEAR: X = ±1.0
 XX = ±0.25
 XXX = ±0.1
ANGULAR: X = 2°
 XX = ±0.5°
SURFACE FINISHES IN MICRO METRES. MAX 3.0
SYMBOLS - A.S. 1100

This drawing remains the property of Regal Australia Pty. Ltd. No part or parts of this drawing may be reproduced without written permission.

MAT'L		
FINISH		
DRAWN	MURFETTR	07/05/07
CHECKED		
RELEASED		
SCALE		

REGAL
19 Corporate Avenue
Rowville, Melbourne
Victoria 3178, Australia

FRAME	MOTOR		REVISION
STATUS	4P 15W		
SHEET	DWG. NO.		
A3	50D521-76AT		D