

Caroma®

CI/SfB	(74.2)	g3
Date	June 2014	

Supersedes all previous issues

Liano Nexus

Ceramic Semi Recessed Vanity Basin

Nominal Size: 450mm x 390mm

2.56.1





Tapware shown not included.

The **Liano Nexus** semi recessed vanity basin is part of an extensive range of co-ordinated basins that allows continuity of design throughout the project where basins of matching design for different applications are required. Available with optional shroud, this basin is suitable for domestic, commercial and ♿ accessible applications.

Tap Holes: Basin available in: No tapholes Code No.665705; one taphole Code No.665715.

Waste Outlet: The basin has been designed for the Caroma Chrome Flush Fitting Waste (supplied) which is suitable for a 40mm trap connection. Alternative waste options are available — Chrome Waste Code No. 687328C, Vandal Resistant Flush Fitting Chrome Waste Code No.687141, Covered Chrome Plug and Waste Code No.687142, Vandal Resistant Covered Chrome Plug and Waste Code No.687143 and Chrome Pop-Up Plug and Waste 687329C.

Bowl Capacity: 5.5 litres to overflow.

Overflow: Overflow available only. Designed for maximum tap flow rate of 15 litres/minute.

Fixing: **D.250 Bracket with Tie Hooks** – Supplied. Recommended for domestic and general commercial use. Two D.250 brackets are fixed to the underside of the counter top to secure the tie hooks which anchor the back of the basin to the counter.

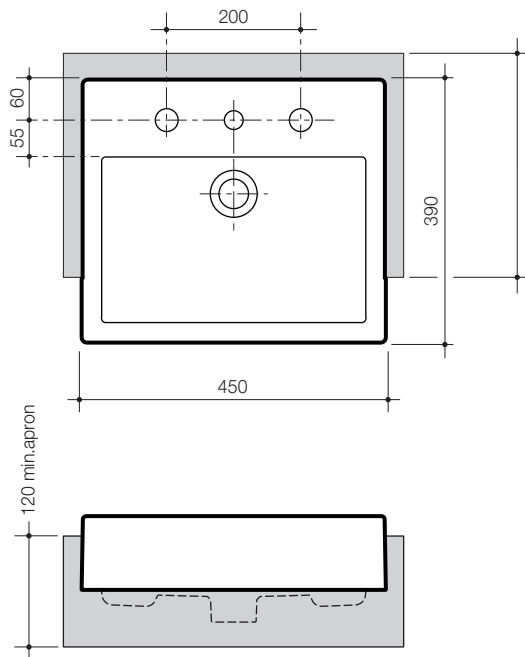
The basins must be sealed to the top and front section of the counter with an acetic cured silicone sealant. **Epoxy type glues must not be used.**

The basin is supplied with a template which must be used for the counter top cut-out.

Important: For granite or marble tops, fix two 20mm thick wooden blocks in the bracket position on the underside of the granite/marble with fast setting two part epoxy. When fully set screw the brackets into position on the wooden blocks. Other suitable fastening systems maybe used.

Colours: White only.

Dimensions: All dimensions are in millimetres and are subject to normal manufacturing variations. Caroma pursues a policy of continuing improvement in design and performance of its products. The right is therefore reserved to vary specifications without notice.



Variable when using D250 tie brackets.
Note: Local authorities have requirements for minimum basin to wall dimensions.

D.250 Tie Bracket

