



WOLFEN™

INSTALLATION MANUAL

9509093 Wolfen Wall Mounted Hand Basin Right Hand 1 Taphole

9509101 Wolfen Wall Mounted Hand Basin and Bracket Right Hand 1 Taphole





WOLFEN™

CONTENTS

Intro	02
Technical Information	03 -04
Installation Instructions	05
Cleaning	05
Warranty	06

Delivering unrivalled quality

Designed for absolute performance, Wolfen's Wall Mounted Hand Basin sets new standards in quality and durability. Made from 304 Stainless Steel and to be fitted with 40mm Plug Waste. The Hand Basin is ideal for any domestic or commercial application.

TECHNICAL INFORMATION

Model	Wolfen Wall Mounted Hand Basin
Product Code	9509093 or 9509101
Material	304 Stainless Steel
Thickness/Guage	1.0mm
Finish	Polished Stainless Steel
Waste	40mm Plug Waste (sold seperately)
Accessories	Mounting Bracket Sold Separately: 9509093 Mounting Bracket Included: 9509101

***Not suitable for coastal environments*

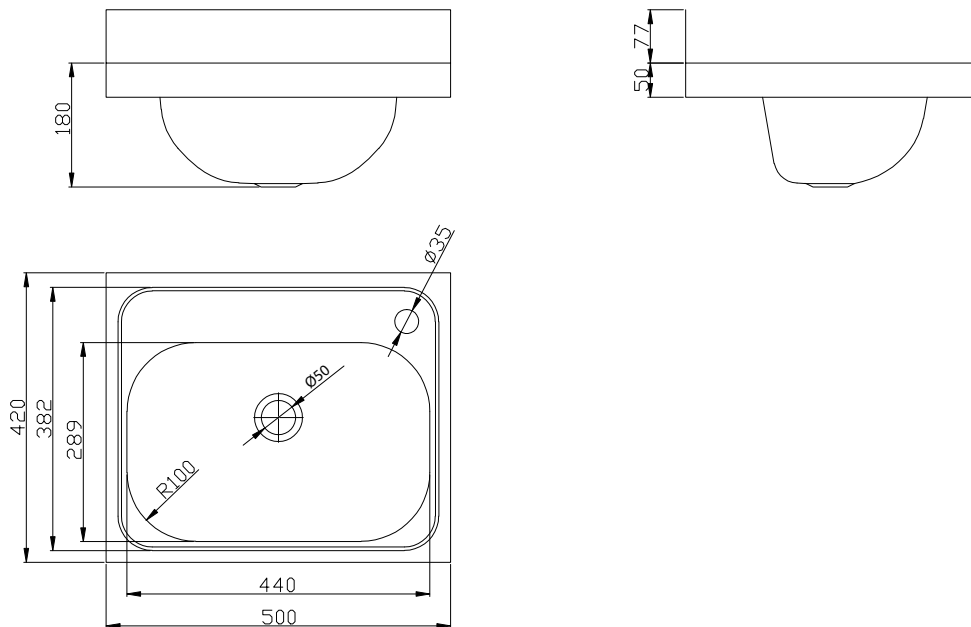
Wolfen Wall Mounted Hand Basin



TECHNICAL INFORMATION

Wolfen Wall Mounted Hand Basin

9509093

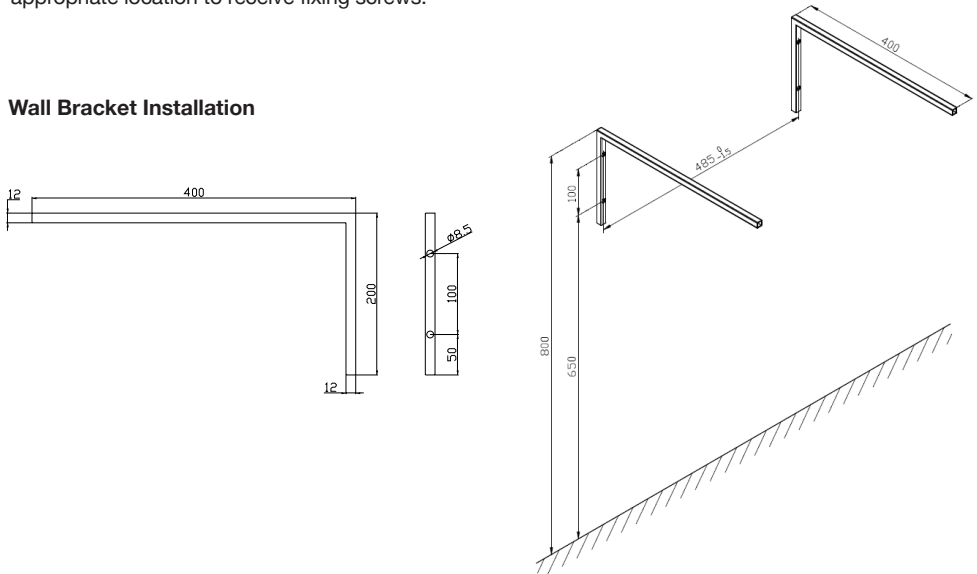


INSTALLATION INSTRUCTIONS

Fixing screws not provided. The appropriate screw type should be selected for either a solid wall or timber stud wall application.

If fixing to timber framed walls or partitioning the wall should be reinforced with a noggin in the appropriate location to receive fixing screws.

Wall Bracket Installation



1. Mark bracket fixing points to achieve desired height.

Note: Recommended overall height is 800mm from top of sink to finished floor (see diagram to the left for fixing points)

2. Drill holes as marked and install first wall bracket with appropriate fixing screws

Note: Horizontal distance between fixing points is 485mm

3. Ensure that brackets have been installed parallel to each other and are level horizontally

4. Place Wolfen Hand Basin onto brackets

5. Install 40mm plug waste

6. Connect waste trap

CLEANING

We recommend the use of soap water or approved cleaners. This product should not be cleaned with abrasive materials. Refer to Stainless Steel Care & Maintenance document. Damage caused by any improper treatment is not covered by the product warranty. Refer to Warranty Conditions.

REECE PRODUCT QUALITY GUARANTEE



You have purchased a quality product from Reece Australia Pty Ltd ABN 84 004 097 090 ("Reece"). This product is covered by a 5 year product warranty and a 12 month warranty over spare parts and labour.

5 YEAR WARRANTY

This warranty covers faults in the product construction, material and assembly. Products which are within 5 years from the date of purchase, found upon inspection by an authorised Reece representative, to be defective in construction, material or assembly, will be repaired or exchanged with an equivalent product free of charge. Replaced items become Reece's property.

All replacement products will be available for collection without charge to the customer at the nearest Reece branch to the customer's location, or elsewhere as agreed between the customer and Reece.

Labour and Spare Parts

The labour for the replacement of products and spare parts to which this warranty applies will be supplied by Reece or relevant supplier using licensed plumbers engaged by Reece or relevant supplier within 1 year from the date of purchase. Spare parts other than those listed in the Manufacturer's Provisions above, which are within 1 year from the date of purchase found upon inspection by an authorised Reece representative to be defective in construction, material or assembly, will be replaced free of charge.

Warranty Conditions

This warranty will apply only under all of the following conditions:

- The item has been installed by a licensed plumber
- Failure is due to a fault in the manufacture of the product
- Proof of purchase (including the date of purchase) is provided
- The installation of the product is in accordance with the instructions provided

This warranty does not cover products purchased as an ex-display without being fully checked and tested for sale by the manufacturer.

This warranty does not include faults caused by:

- Unsuitable or improper use
- Incorrect installation or installation not in accordance with the instructions provided
- Installation or part installation by the purchaser or any person other than a LICENSED PLUMBER
- Normal wear and tear
- Inadequate or complete lack of maintenance
- Chemical, electrochemical or electrical influences
- Harsh detergents or abrasive cleaners used on product finishes

EXCLUSIONS

To the fullest extent permitted by law, Reece excludes all liability for damage or injury to any person, damage to any property, and any indirect consequential or other loss or damage.

CLAIM PROCEDURE

For all warranty queries customers are to contact the branch where the product was purchased. These details can be found on your purchase invoice.

Our goods come with guarantees that cannot be excluded under the Australian Consumer Law. You are entitled to a replacement or refund for a major failure and for compensation for any other reasonably foreseeable loss or damage. You are also entitled to have the goods repaired or replaced if the goods fail to be of acceptable quality and the failure does not amount to a major failure.

Don't risk it, use a licensed plumber.™

IF AFTER CHECKING THE
INSTALLATION INSTRUCTIONS
AND IMPORTANT
INFORMATION, THE PROBLEM
HAS NOT BEEN IDENTIFIED,
CUSTOMERS ARE TO
CONTACT THE BRANCH
WHERE THE PRODUCT WAS
PURCHASED. THESE DETAILS
CAN BE FOUND ON YOUR
PURCHASE INVOICE.

General contact details for
Reece are as follows:

Reece Australia Pty Ltd

118 Burwood Hwy

Burwood VIC 3125

+61 3 9274 0000

admin@reece.com.au



WOLFEN™

reece.com.au/wolfen