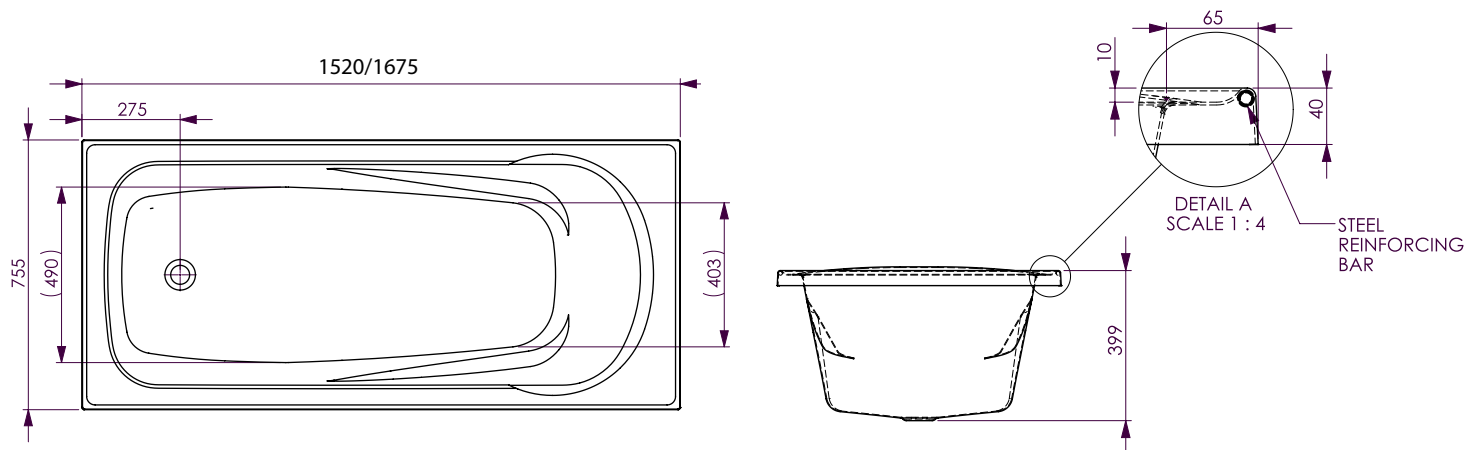


POSH SOLUS MK2 INSET BATH AND SPA



SPECIFICATIONS

| | |
|------------------------|---------------------------------------------|
| Recommended use | Domestic, hotel and commercial |
| Material | Sanitary grade acrylic |
| Fixing | Inset bath |
| Overflow | Not included |
| Plug and waste | Suitable with 40mm non-overflow style waste |
| Colour | White |
| Standards | AS2023/1995 |



To see the complete POSH range go to www.reece.com.au/bathrooms

CLEANING RECOMMENDATIONS

We recommend the use of soapy water or approved cleaners.

This product should not be cleaned with abrasive materials.

Damage caused by any improper treatment is not covered by the product warranty - refer to Warranty Conditions..

Disclaimer: Products in this specification manual must by regulation be installed by licensed and registered trade people. The manufacturer/distributor reserves the right to vary specifications or delete models from their range without prior notification. Dimensions are nominal measurements only. Dimensions and set-outs listed are correct at time of publication however the manufacturer/distributor takes no responsibility for printing errors.

Tech Page Version 2

Posh

reece™