

PLUMBERS INSTALLATION INSTRUCTIONS

Important Information

- * **HOT & COLD WATER INLET PRESSURES MUST BE EQUAL.**
- * **Not suitable for gravity feed systems.**
- * **Wall basin outlet is fitted with a flow regulated aerator insert. This 5 star low flow rate may not be suitable for connection to some Instantaneous Gas Water Heaters, some Tempering Valves, some Solar Water Heaters & some Thermostatic Mixing Valves. Check with the manufacturers of these products. Note:- An aerator insert kit (Part No. 20742), is available if required.**
- * **Fixed wall bath outlet is fitted with a free flow aerator and its use is suitable for any hot water system.**
- * **In- wall components must be mounted accurately to ensure tapware operates correctly when installed.**
- * **Brazed connections should NOT be made directly onto the mixer, as excessive heat will cause permanent damage.**
- * **All pipework must be thoroughly flushed prior to installation, as foreign materials may block the flow regulating device and reduce the flow of water. Note: Aerator insert housing must be retightened to prevent removal by hand.**

Installation

- 1) Fit mixer body (8) onto a suitable mounting plate or noggin in the wall and secure using screws through the holes in its base. When facing the mixer, the connections should be as follows :
Hot water inlet connection 'H' to the left.
Cold water inlet connection 'C' to the right.
Mixed water outlet connection, vertically upwards.
Note : A suitable elbow fitting (11⁺) should be fitted to the inlet connection adjacent to the basin/bath outlet (19) (Fig.2). Check all connections for leaks.
Important
* Mixer body (8) must be installed square to wall/tile face, to ensure cover plate (10) sits flush.
* To avoid damaging the decorative finish, do not remove the plastic protective sleeve until installation has been completed.
- 2) Accurately mount a wall elbow (12⁺) (or equivalent) for connection to the basin outlet in the desired orientation (to the right or left of mixer body)(Fig. 3).
Important :
All care should be taken that the wall elbow (12⁺) is mounted accurately in line with, and at a distance of 90mm±2 from the adjacent mixer body (8) and that it is square to the wall/tile face (Fig.2). Connect the mixer body outlet to the wall elbow (12⁺). **Note:** Pipework and fittings are not supplied.
+ Not supplied.

IMPORTANT

Pressure & Temperature Requirements.

- Hot and cold water inlet pressures should be equal.
- Static Inlet pressure range : 150 - 1000 kPa
New Regulation :- 500 kPa maximum static pressure at any outlet within a building.
(Ref. AS/NZS 3500.1- 2003, Clause 3.3.4)
- Maximum hot water temperature : 80°C.

Installation Requirements.

- The installing plumber is responsible for waterproofing all penetrations for Taps in Shower areas at installation by a proprietary flange system or a sealant.
(Ref AS3740- 2004, Clause 5.8.1)
- 3) Apply a suitable clear sealant to the back face of the cover plate (10) to prevent water from entering the wall cavity, leaving an unsealed section at the bottom for drainage (See Fig. 1). Carefully slide the cover plate (10) together with trim cover (9) onto the mixer body (8), push firmly on the trim cover until cover plate (10) contacts the wall/tile face & sealant has formed a waterproof joint. Wipe clean any excess sealant from the chrome surfaces & the wall/tile face (See Fig. 1).
 - 4) Fit handle (1) as shown, taking care that it is pushed fully down, then tighten grub screw (2) using 2.5mm allen key (3). Insert plug (4) taking care not to damage the decorative finish.
 - 5) Apply thread tape to the thread of wall elbow (12⁺).
Important: Care must be taken that thread tape cannot become dislodged and block the flow regulating device, causing a reduction in water flow. Ensure 'O' Ring (16) is in position in groove of wall base (13).
Hint: Apply a light smear of a suitable grease to the 'O' Ring (16) to help retain it in the groove in the wall base (13).
Screw the wall base (13) onto the threaded wall elbow (12⁺), using a 6mm allen key (15⁺), until 'O' Ring (16) has contacted the wall cover plate (10) & the **caroma** marking is at the top.
DO NOT OVERTIGHTEN.
Apply suitable lubricant to 'O'Rings (14) on wall base (13).
 - 6) Fit wall basin/bath outlet (19) onto spigot of wall base (13), then push it firmly against the wall base while tightening grub screws (17) using the 2.00mm allen key (18) provided. Take care that the top face of the basin outlet is horizontal before tightening screws (17).
 - 7) Turn on Hot and Cold water supplies and check operation.

Replacing Cartridge (Fig. 1)

- 1) Turn off hot and cold water supplies.
- 2) Carefully remove plug (4) before using a 2.5mm allen key (3) to loosen grub screw (2) and remove handle (1). Remove cap (5) taking care not to damage the decorative finish. Unscrew nut (6) then lift out old cartridge (7).
- 3) Ensure inside face of mixer body (8) is clean. Check that seal is in position in base of new cartridge (7). Fit new cartridge (7) into mixer body (8), taking care that two lugs on base of cartridge (7) fit into mating holes in mixer body (8).
- 4) Screw on nut (6). **Important:-** Nut (6) should be tightened to a torque of 10 Nm.
- 5) Replace cap (5), tightening by hand. Fit handle (1) taking care that it is pushed fully down, then tighten grub screw (2). Replace plug (4) taking care no to damage the decorative finish.
- 6) Turn on water supplies and check operation.

Replacing Aerator Insert (Fig. 4)

- 1) Carefully remove aerator housing (22) from basin/bath outlet (19), taking care not to damage the decorative finish.
Hint: Wearing a dry rubber glove will assist when removing and tightening the housing.
- 2) Remove 'O' Ring (20) & aerator insert (21) from aerator housing. Check that aerator housing is clean. Deposits of lime can be removed by washing in a vinegar solution.
- 3) Fit new aerator insert (21) into aerator housing (22) followed by 'O' Ring (20) then screw assembly into basin/bath outlet (19) and tighten securely (to prevent removal by hand).

+

+ Not supplied.

PLUMBERS INSTALLATION INSTRUCTIONS

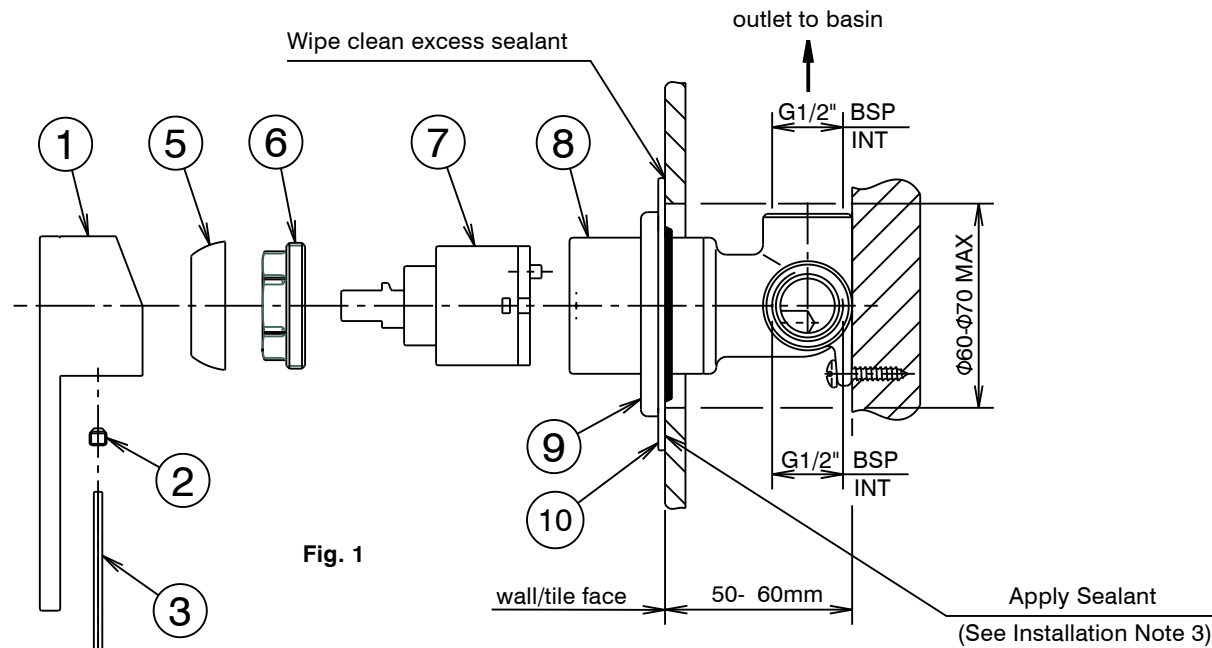


Fig. 1

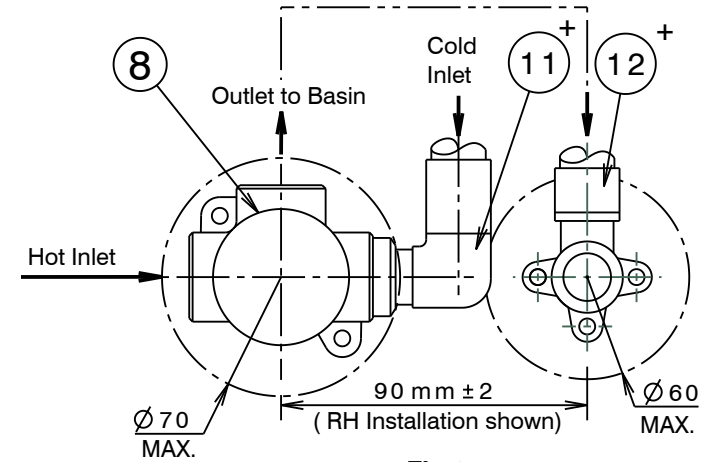


Fig. 2

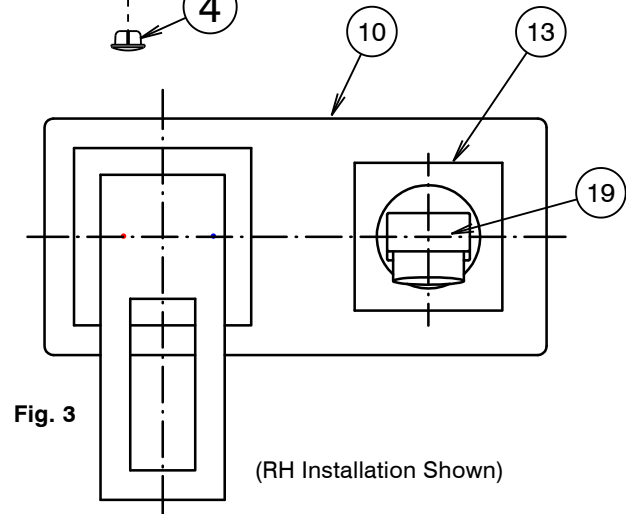


Fig. 3

(RH Installation Shown)

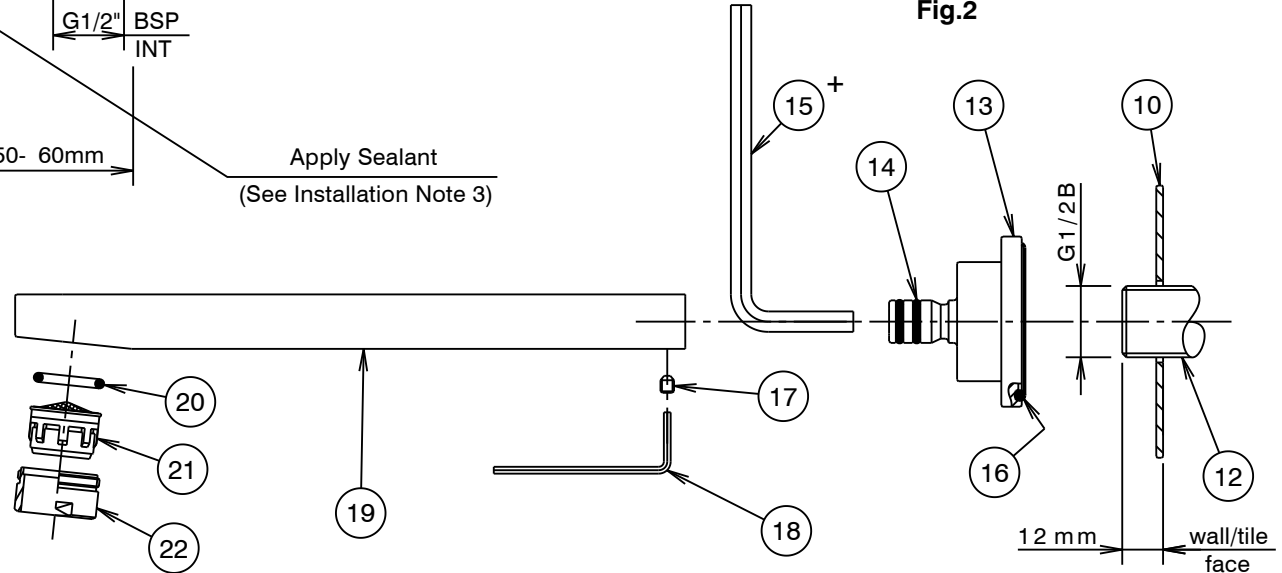


Fig. 4