

# Laufen Ino Wall Basin with Shelf Right Hand Bowl with Fixing Bolts & Overflow 1 Taphole 900mm White

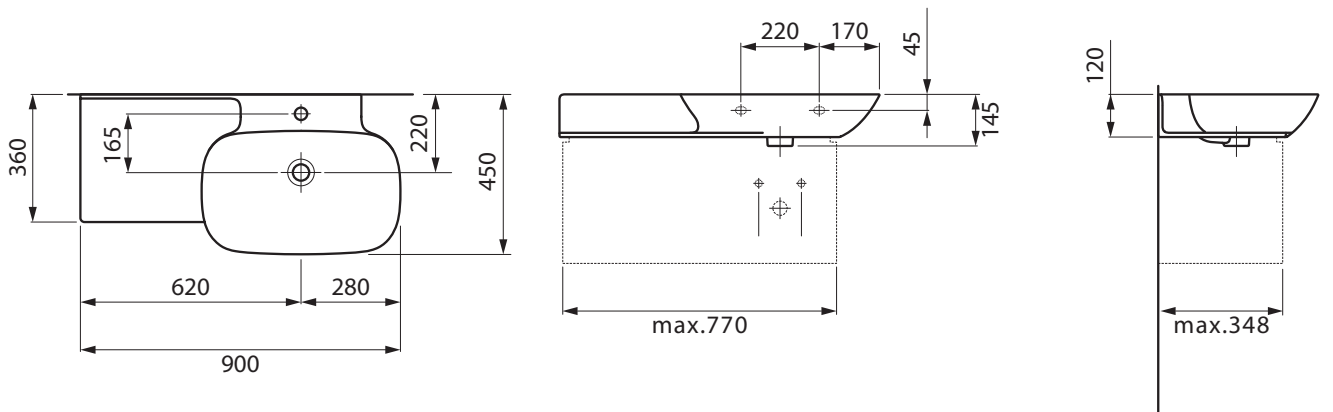
## SPECIFICATIONS

Recommended Use	Domestic, Hotel & Commercial
Material	Saphirkeramic
Colour	White
Bowl Capacity	6.0 Litres
Weight	14.5kg
Fixing	Fixing Bolts (included) Waterproof Flexible Sealant (not included)
Taphole Configuration	1 Centre Taphole
Overflow Configuration	Overflow
Waste Size	Suits 32x40mm Overflow Waste
Plug & Waste	Sold Separately
Tapware	Sold Separately

## WARRANTY

Warranty - Domestic Use	15 Years
Spare Parts & Labour	12 Months

Please refer to Warranty Page for full Terms and Conditions



Dimensions are nominal measurements only.

**Disclaimer:** Products in this specification manual must by regulation be installed by licensed and registered trade people. The manufacturer/distributor reserves the right to vary specifications or delete models from their range without prior notification. Dimensions are nominal measurements only. Dimensions and set-outs listed are correct at time of publication however the manufacturer/distributor takes no responsibility for printing errors.

Published 16/01/2018

To see the complete Laufen range go to [www.reece.com.au/bathrooms](http://www.reece.com.au/bathrooms)

