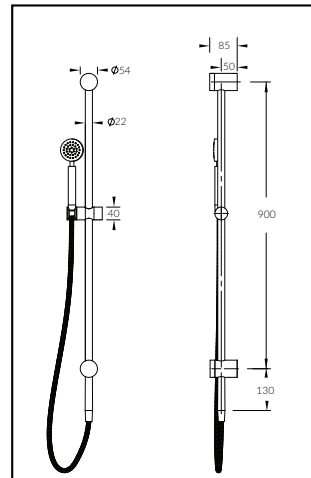
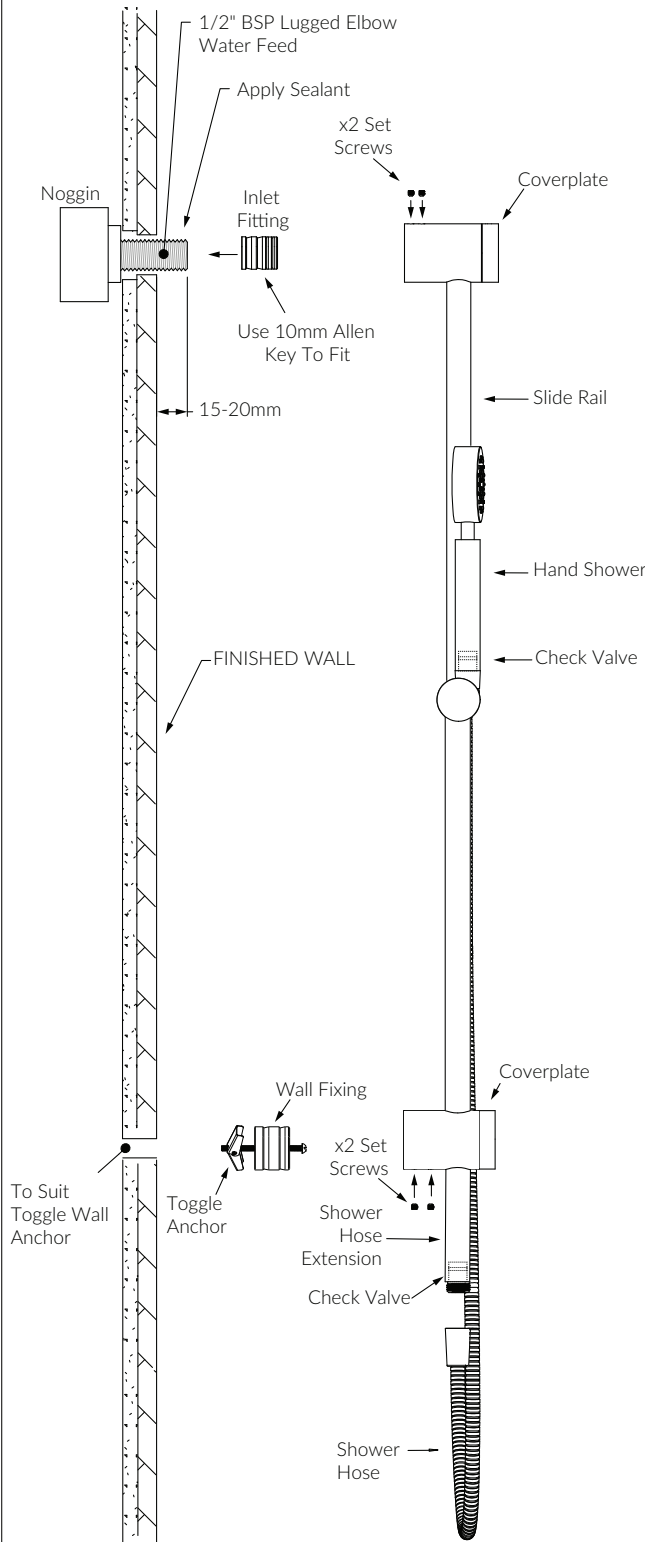


SUSSEX

Sussex Pure Single Rail Shower with Wall Water Inlet (3 Star)

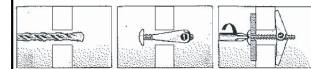
Installation Guide Rail Shower



Spring Toggle Wall Anchor

- For fixing into hollow wall materials such as plasterboard, hardboard, plywood, cement sheeting, hollow block, etc.
- Applications: Towel rails, shelving, cupboards, wall lights, etc.
- MUST HAVE A CLEAR AIR SPACE BEHIND THE MATERIAL BEING FASTENED TO.

INSTALLATION INSTRUCTIONS



1. Drill a 14mm diameter hole through the material to which the Spring Toggle is being fastened to.
2. Pass the screw through the fixture into toggle for a few turns. Compress the toggle wings and insert the anchor into the hole. The wings will spread behind the cavity wall.
3. Pull back on the fixture to hold the toggle in place against the reverse side of cavity wall and tighten screw with a screwdriver, pulling the wings of the anchor firm against the cavity wall.

RECOMMENDED MAX LOAD 10KG IN 10MM PLASTERBOARD.

FIT OFF

- The Rail is supplied assembled, remove Inlet Fitting and Wall Fixing by loosening the Set Screws.
- Accurately mark out and drill for the Wall Fixing 900mm from centre of Water Feed (see Spring Toggle Wall Anchor guide).
- Ensure the wall penetration is sealed prior to connecting any fittings.
- Apply thread tape or appropriate sealant to Water Feed Thread and attach Inlet Fitting using 10mm Allen key.
- Using the provided Spring Toggle Anchor attach the Wall Fixing.
- Fit the Rail Shower as assembled onto the Wall Fixing and Inlet Fitting, secure by tightening the Set Screws.
- Attach the Shower Hose.
- Test function and water flow.
- Check for water leaks.

Plumbers, please ensure a copy of the Installation Instructions are left with the end user for future reference