

SUSSEX

Sussex Oria Basin Mixer

Tapware is to be installed by a Licensed Plumber in accordance with AS/NZS 3500:2003
 Recommended working water pressure 300 - 500 Kpa. Maximum water temperature is 65°C

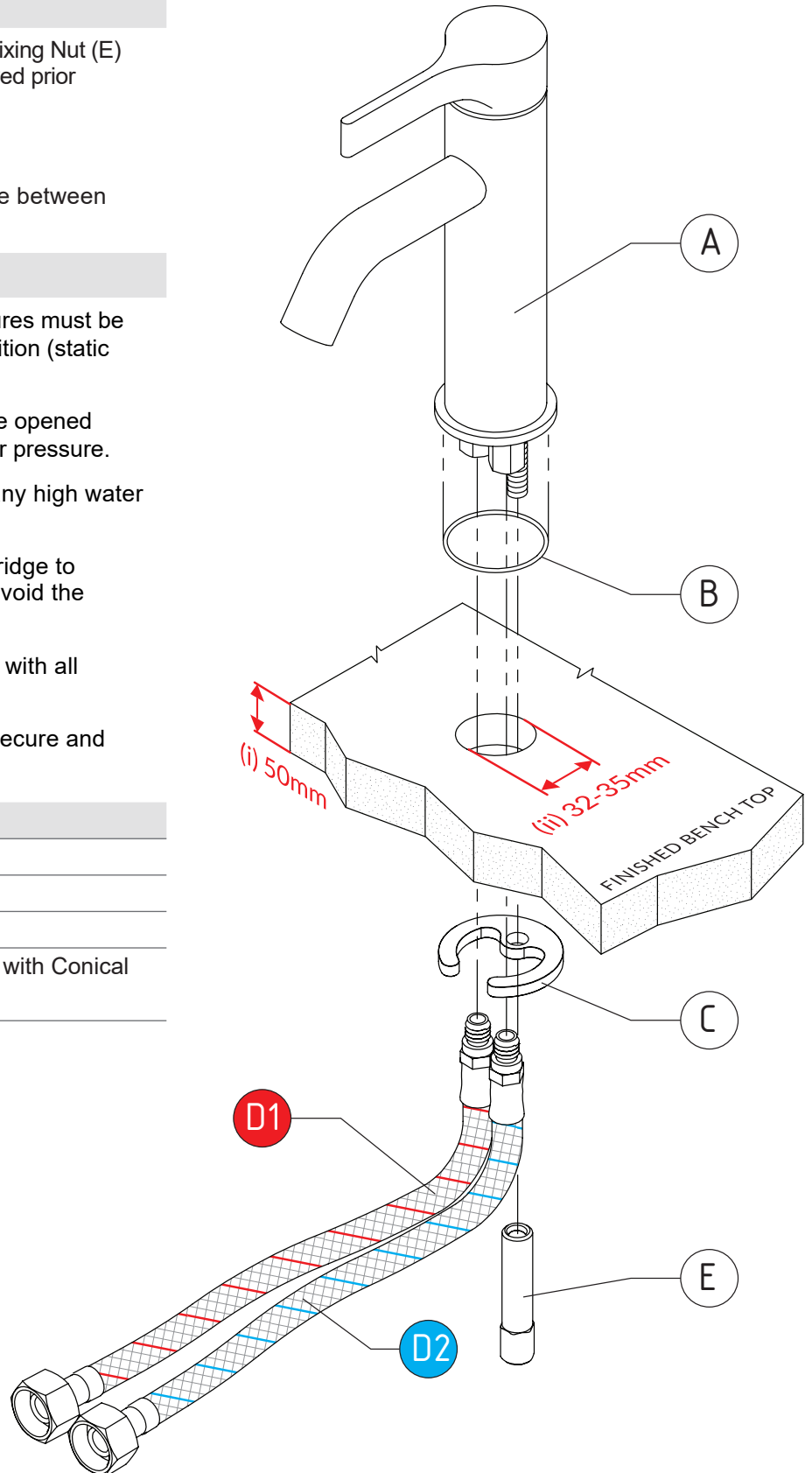
GENERAL NOTE

- The Mixer is supplied pre-assembled, the Fixing Nut (E) and Clamp (C) need to be temporarily removed prior to install.
- Maximum bench thickness is **50mm (i)**.
- Surface Clearance hole diameter is to be between **32 - 35mm (ii)**.

PLUMBER'S NOTE

- On-site testing using higher water pressures must be conducted with the mixer in the closed position (static test).
- Under no circumstances is the mixer to be opened when exceeding the maximum stated water pressure.
- At completion of testing, do not relieve any high water pressure by operating the mixer.
- Exposing the internals of the Mixer Cartridge to higher than specified water pressures will void the manufacturer's warranty.
- Isolating Stop Valves are recommended with all installations (Not Included).
- Ensure all fittings and connections are secure and water-tight.

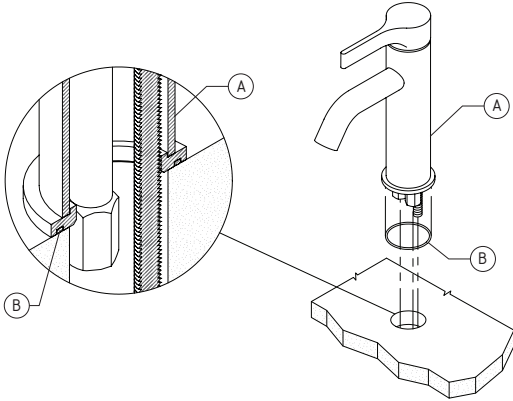
Part	Part Name
A	Mixer Assembly (Pre-assembled)
B	O-ring
C	Clamp
D	Flexible hoses with 1/2" BSP Fittings with Conical Seals (D1 = HOT and D2 = COLD)
E	Fixing Nut



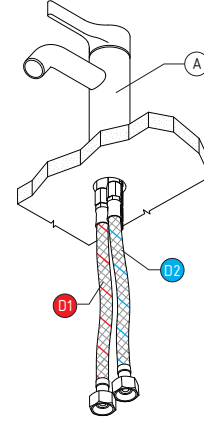
SUSSEX

Sussex Oria Basin Mixer

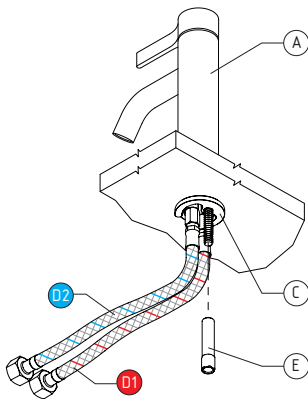
1) Fit Basin Mixer Assembly (A) into clearance hole compressing the O-ring (B) between the Basin Mixer and the finished basin surface.



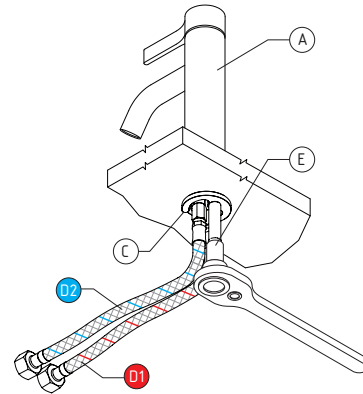
2) Fit the Hot (D1) and Cold (D2) flexible hoses under the basin and affix to Basin Mixer Assembly (A). Tighten by hand. Use a spanner on crimped section to tighten off.



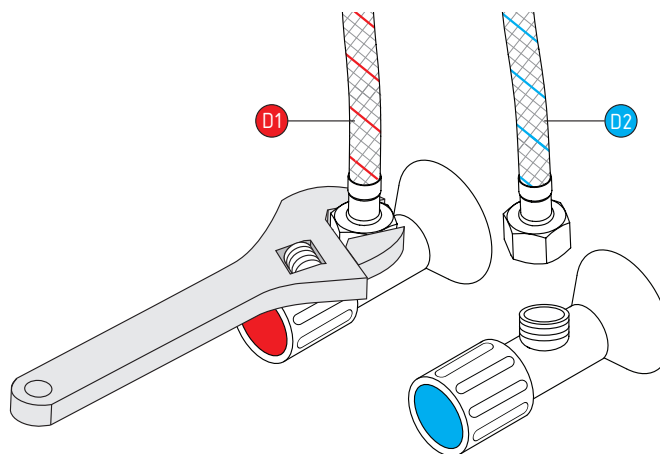
3) Fit the Clamp (C) into position under the bench. This component will slide over the threaded rod and the flexible Hoses (D1 and D2).



4) Thread the Fixing nut onto the rod by hand and tighten with a socket wrench or an appropriate tube spanner.



5) Connect the Hot (D1) and Cold (D2) flexible hoses to 1/2" BSP pipework and tighten firmly with a spanner. Ensure hoses do not twist or kink during tightening. Sussex recommends using Stop Cocks/Mini Stops, however, these are not supplied.



After installation, establish water supply and thoroughly check operation of tapware to ensure that it functions correctly and no water leaks. Plumbers, please ensure a copy of the Installation Instructions are left with the end user for future reference.