

# SUSSEX

## Sussex Pure Hob Sink Outlet with Pull Out Spray (4 Star)

Tapware is to be installed by a Licenced Plumber in accordance with AS/NZS 3500:2003

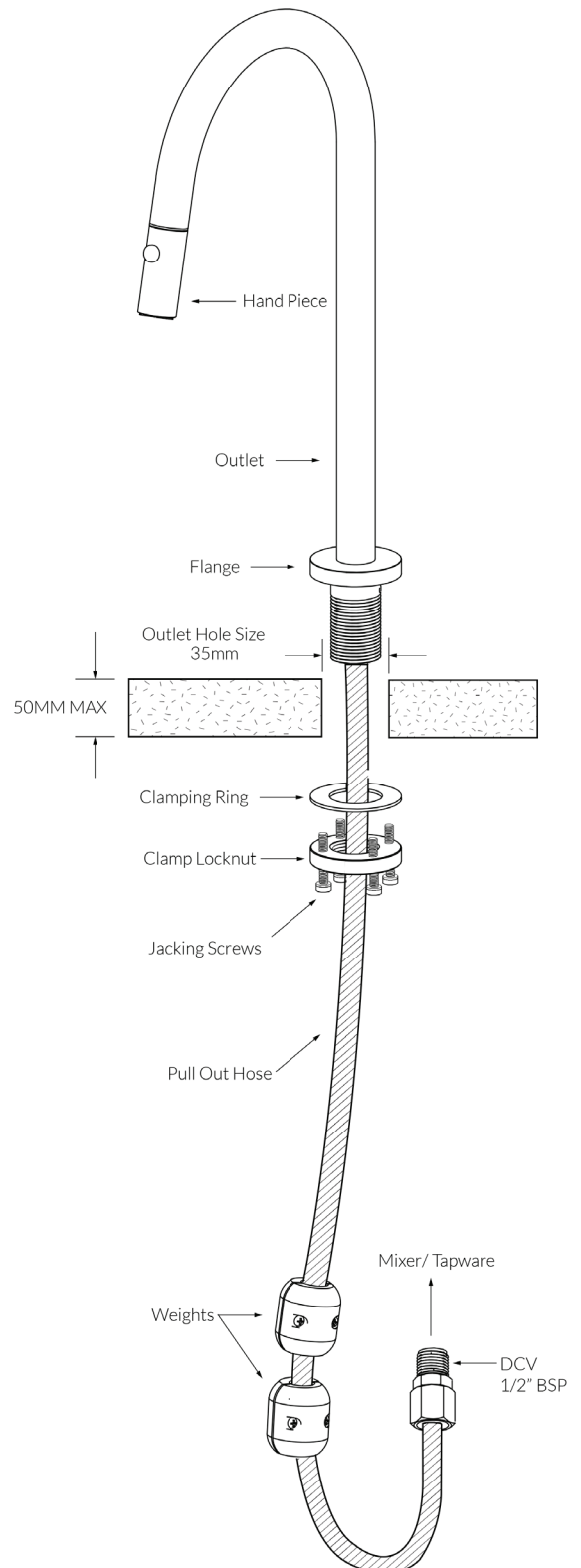
Recommended working water pressure 300-500kpa.  
Maximum water temperature is 65 deg.C.

### Mounting Surface Requirements

- Outlet: 35mm Clearance Hole.
- Maximum Mounting Surface thickness is 50mm.
- Mounting Surface must be flat and level.
- Ensure adequate space under the bench for the Pull-Out Hose and Weights to sit free from obstruction. Failing to do so will affect the performance of the Pull-Out function.

### Outlet

- Remove Weights from the Hose.
- Remove the Clamp Locknut and Clamping Ring from the Flange.
- Pass the Pull-Out Hose with the Dual Check Valve (DCV) fitting attached through the Mounting Surface.
- Working from underneath, fit the Clamping Ring and Clamp Locknut to the Flange.
- Wind the Locknut as far as possible, then using a 5mm Allen Key tighten the 4 Jacking Screws to secure the Outlet (tighten well).
- Re-attach the Weights to the Pull-Out Hose.
- Note: The Weights must always be suspended and never resting on any surface.
- Connect the Hose (DCV) to the Mixer/Tapware.
- Once all connections are made allow water flow and check for leaks.
- Ensure Pull-Out Nozzle functions correctly, with a smooth action when extending and retracting.



Plumbers, please ensure a copy of the Installation Instructions are left with the end user for future reference